



MASTER[®]
CLIMATE SOLUTIONS
MCS

Dantherm A/S
Marienlystvej 65
DK-7800 Skive
Denmark
t. +45 96 14 37 00

Dantherm Ltd.
Unit 12, Galliford Road
Maldon CM9 4XD
United Kingdom
t. +44 (0)1621 856611

Dantherm GmbH
Oststraße 148
22844 Norderstedt
Germany
t. +49 40 526 8790

Dantherm S.p.A.
Via Gardesana 11
37010 Pastrengo (VR)
Italy
t. +39 045 6770533

Dantherm Sp. z o.o.
ul. Magazynowa 5a
62-023 Gądko
Poland
t. +48 61 65 44 000

Dantherm SP S.A.
C/Calabozos 6
(Poligono Industrial)
28108 Alcobendas, Madrid
Spain
t. +34 91 661 45 00

Dantherm SAS
23 rue Eugène Hénaff
69694 Vénissieux Cedex
France
t. +33 4 78 47 11 11

Dantherm AS
Løkkeåsvæien 26
3138 Skallestad
Norway
t. +47 33 35 16 00

Dantherm AB
Fridhemsvägen 3
602 13 Norrköping
Sweden
t. +46 (0)11 19 30 40

Dantherm LLC
Transportnaya 22/2
142800, Stupino
Moscow
Russia
t. +7 (495) 642 444 8

MCS China
Unit 2B, No. 512
Yunchuan Road
Baoshang, Shanghai, 201906
China
t. +8621 61486668






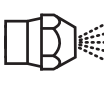




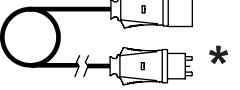
AirCenter AG
Täferstrasse 14
CH-5405 Baden Dättwil
Switzerland
t. +41 43 500 00 50

Heylo GmbH
Im Finigen 9
28832 Achim
Germany
t. +49 4202 97550

SET Energietechnik GmbH
August-Blessing-Straße 5
71282 Hemmingen
Germany
t. +49 7150 94540

USER AND MAINTENANCE BOOK	en
LIBRETTO USO E MANUTENZIONE	it
BEDIENUNGS- UND WARTUNGSANLEITUNG	de
MANUAL DE INSTRUCCIONES PARA EL USO Y MANTENIMIENTO	es
MANUEL D'UTILISATION ET DE MAINTENANCE	fr
HANDLEIDING VOOR GEBRUIK EN ONDERHOUD	nl
MANUAL DE USO E MANUTENÇÃO	pt
VEJLEDNING OM BRUG OG VEDLIGEHODELSE	da
KÄYTTÖ- JA HUOLTO-OHJE	fi
HEFTE FOR BRUK OG VEDLIKEHOLD	no
ANVÄNDAR- OCH UNDERHÅLLSHANDBOK	sv
INSTRUKCJA OBSŁUGI I KONSERWACJI	pl
РУКОВОДСТВО ПО ЭКСПЛУАТАЦИИ И ТЕХНИЧЕСКОМУ ОБСЛУЖИВАНИЮ	ru
PŘÍRUČKA PRO POUŽITÍ A ÚDRŽBU	cs
HASZNÁLATI ÉS KARBANTARTÁSI KÉZIKÖNYV	hu
PRIROČNIK Z NAVODILI ZA UPORABO IN VZDRŽEVANJE	sl
KULLANIM VE BAKIM KİTAPÇIĞI	tr
KNJIŽICA O UPORABI I ODRŽAVANJU	hr
NAUDOJIMO IR PRIEŽIŪROS KNYGELĖ	lt
LIETOŠANAS UN TEHNISKĀS APKOPEŠ GRĀMATIŅA	lv
KASUTUS- JA HOOLDUSJUHEND	et
MANUAL DE UTILIZARE ŞI ÎNTREȚINERE	ro
PRÍRUČKA PRE POUŽITIE A ÚDRŽBU	sk
НАРЪЧНИК ЗА ИЗПОЛЗВАНЕ И ПОДДРЪЖКА	bg
КЕРІВНИЦТВО З ЕКСПЛУАТАЦІЇ Й ТЕХНІЧНОГО ОБСЛУГОВУВАННЯ	uk
KNJIŽICOM O UPOTREBI I ODRŽAVANJU	bs
ΕΓΧΕΙΡΙΔΙΟ ΧΡΗΣΗΣ ΚΑΙ ΣΥΝΤΗΡΗΣΗΣ	el
使用和维护手册	zh
ПАЙДАЛАНУ ЖӨНЕ ТЕХНИКАЛЫҚ ҚЫЗМЕТ КӨРСЕТУ ЖЕТЕКШІЛІГІ	kk






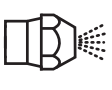




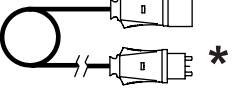
TECHNICAL DATA TABLE - TABELLA DATI TECNICI - TECHNISCHE DATENTABELLE - TABLA DE DATOS TÉCNICOS - TABLEAU DES DONNÉES TECHNIQUES - TABEL TECHNISCHE GEGEVENS - TABELA DE DADOS TÉCNICOS - TEKNISK DATATABEL - TEKNISTEN TIETOJEN TAULUKKO - TABELL FOR TEKNISKE DATA - TABELL MED TEKNISKA EGENSKAPER - TABELA DANYCH TECHNICZNYCH - ТАБЛИЦЕ ТЕХНИЧЕСКИХ ДАННЫХ - TABULKA TECHNICKÝCH ÚDAJŮ - MŰSZAKI ADATOK TÁBLÁZATA - TEHNIČNI PODATKI - TEKNİK VERİLER TABLOSUNDA - TABLICI S TEHNIČKIM PODACIMA - TECHNINIŲ DUOMENŲ LENTELĖJE - TEHNISKO DATU TABULA - TEHNILISTE ANDMETE TABEL - TABELUL CU DATE TEHNICE - TABUĽKA TECHNICKÝCH ÚDAJOV - ТАБЛИЦА ТЕХНИЧЕСКИ ДАННИ - ТАБЛИЦІ ТЕХНІЧНИХ ДАНИХ - TABELI SA TEHNIČKIM PODACIMA - ΠΙΝΑΚΙΔΑ ΤΩΝ ΤΕΧΝΙΚΩΝ ΣΤΟΙΧΕΙΩΝ - 技术参数 - ТЕХНИКАЛЫҚ КӨРСЕТКІШТЕР КЕСТЕСІ

	BV 471S	BV 471SR	BV 691S
 MAX	136 kW-кВт 116.900 kcal/h-ккал/ч 464.000 Btu/h-БТЕ/ч	136 kW-кВт 116.900 kcal/h-ккал/ч 464.000 Btu/h-БТЕ/ч	225 kW-кВт 193.500 kcal/h-ккал/ч 768.000 Btu/h-БТЕ/ч
	8.500 m³/h-м³/ч	8.500 m³/h-м³/ч	12.800 m³/h-м³/ч
	10,8 kg/h-кг/ч	10,8 kg/h-кг/ч	17,9 kg/h-кг/ч
	DIESEL-KEROSENE дизель-керосин	DIESEL-KEROSENE дизель-керосин	DIESEL-KEROSENE дизель-керосин
	~220-240 V-B (-15%÷10%) 50 Hz-Гц 6,9 A 1,5 kW-кВт	~220-240 V-B (-15%÷10%) 50 Hz-Гц 16 A 3,7 kW-кВт	~220-240 V-B (-15%÷10%) 50 Hz-Гц 12,6 A 2,8 kW-кВт
	2,5 gal/h 60°W DELAN	2,5 gal/h 60°W DELAN	4,5 gal/h 60°W DELAN
	1.250 kPa-кПа 12,5 bar-бар	1.250 kPa-кПа 12,5 bar-бар	1.000 kPa-кПа 10 bar-бар
	250 Pa-Па	400 Pa-Па	250 Pa-Па
	0,1 mbar-мбар	0,1 mbar-мбар	0,1 mbar-мбар
	270 kg-кг	300 kg-кг	380 kg-кг
	ø 2,5 mm² (MAX. 30m) ø 4 mm² (MAX. 50m)	ø 2,5 mm² (MAX. 30m) ø 4 mm² (MAX. 50m)	ø 2,5 mm² (MAX. 30m) ø 4 mm² (MAX. 50m)

⚠ IMPORTANT: In order to have a correct function you must use an electrical generator in class G3 or more (frequency variation ±1%, tension variation ±2%). The maximum power of electrical generator must be three time the nominal power of device that you must connect.


* The extension cords are suggested according rated input voltage. Do only use approved cables and plugs. Do not connect more than one extension cord.

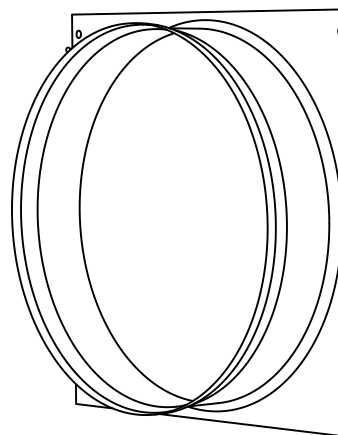
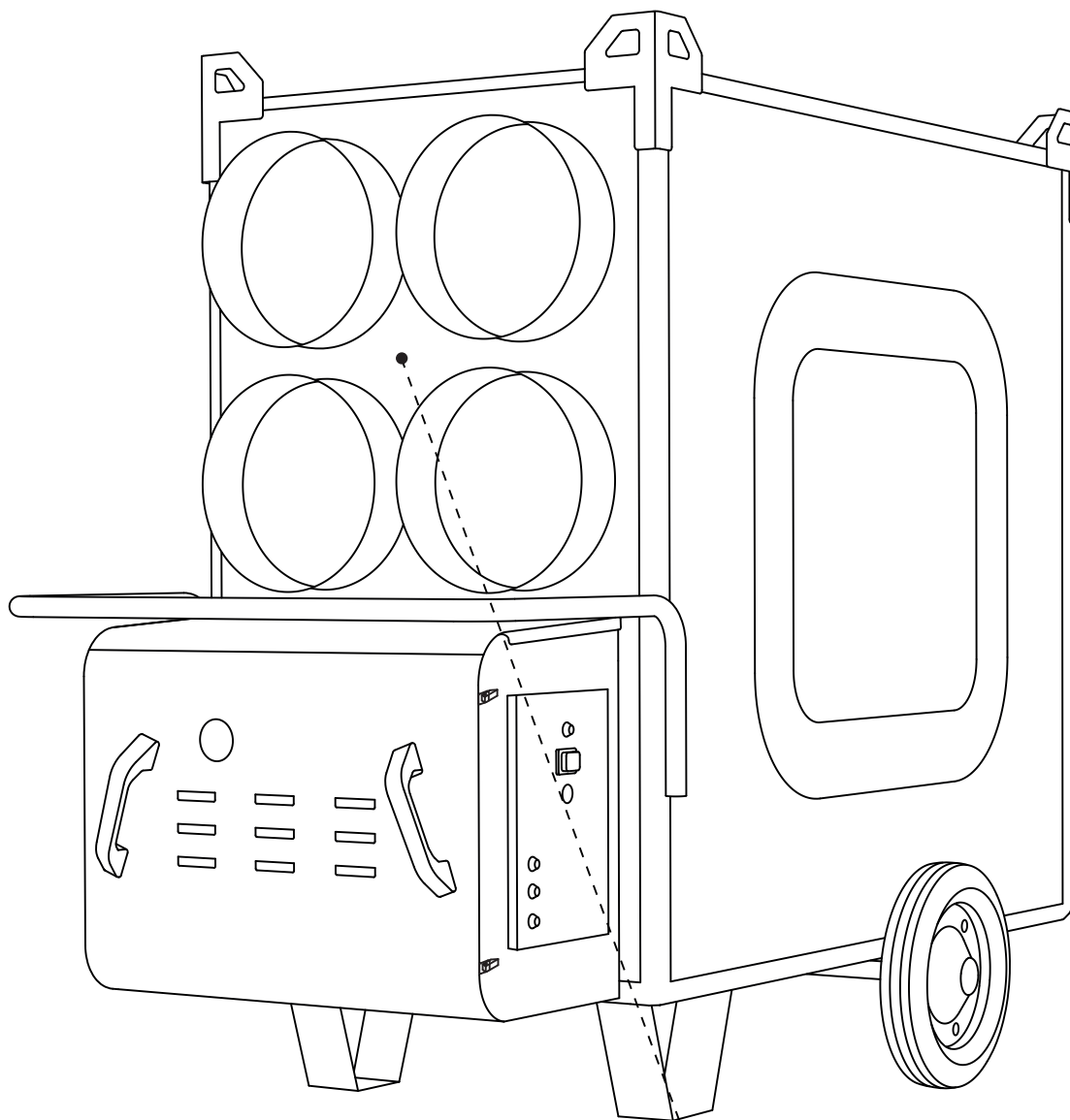
TECHNICAL DATA TABLE - TABELLA DATI TECNICI - TECHNISCHE DATENTABELLE - TABLA DE DATOS TÉCNICOS - TABLEAU DES DONNÉES TECHNIQUES - TABEL TECHNISCHE GEGEVENS - TABELA DE DADOS TÉCNICOS - TEKNISK DATATABEL - TEKNISTEN TIETOJEN TAULUKKO - TABELL FOR TEKNISKE DATA - TABELL MED TEKNISKA EGENSKAPER - TABELA DANYCH TECHNICZNYCH - ТАБЛИЦЕ ТЕХНИЧЕСКИХ ДАННЫХ - TABULKA TECHNICKÝCH ÚDAJŮ - MŰSZAKI ADATOK TÁBLÁZATA - TEHNIČNI PODATKI - TEKNİK VERİLER TABLOSUNDA - TABLICI S TEHNIČKIM PODACIMA - TECHNINIŲ DUOMENŲ LENTELĖJE - TEHNISKO DATU TABULA - TEHNILISTE ANDMETE TABEL - TABELUL CU DATE TEHNICE - TABUĽKA TECHNICKÝCH ÚDAJOV - ТАБЛИЦА ТЕХНИЧЕСКИ ДАННИ - ТАБЛИЦІ ТЕХНІЧНИХ ДАНИХ - TABELI SA TEHNIČKIM PODACIMA - ΠΙΝΑΚΙΔΑ ΤΩΝ ΤΕΧΝΙΚΩΝ ΣΤΟΙΧΕΙΩΝ - 技术参数 - ТЕХНИКАЛЫҚ КӨРСЕТКІШТЕР КЕСТЕСІ

	BV 691T	BV 691TR
 MAX	225 kW-кВт 193.500 kcal/h-ккал/ч 768.000 Btu/h-БТЕ/ч	225 kW-кВт 193.500 kcal/h-ккал/ч 768.000 Btu/h-БТЕ/ч
	12.800 m³/h-м³/ч	12.800 m³/h-м³/ч
	17,9 kg/h-кг/ч	17,9 kg/h-кг/ч
	DIESEL-KEROSENE дизель-керосин	DIESEL-KEROSENE дизель-керосин
	3N~380-400 V-B (-15%÷10%) 50 Hz-Гц 6,5 A 2,3 kW-кВт	3N~380-400 V-B (-15%÷10%) 50 Hz-Гц 7,6 A 4,2 kW-кВт
	4,5 gal/h 60°W DELAVAN	4,5 gal/h 60°W DELAVAN
	1.000 kPa-кПа 10 bar-бар	1.000 kPa-кПа 10 bar-бар
	250 Pa-Па	400 Pa-Па
	0,1 mbar-мбар	0,1 mbar-мбар
	380 kg-кг	420 kg-кг
	∅ 2,5 mm² (MAX. 30m) ∅ 4 mm² (MAX. 50m) *	∅ 2,5 mm² (MAX. 30m) ∅ 4 mm² (MAX. 50m)


! **IMPORTANT:** In order to have a correct function you must use an electrical generator in class G3 or more (frequency variation ±1%, tension variation ±2%). The maximum power of electrical generator must be three time the nominal power of device that you must connect.

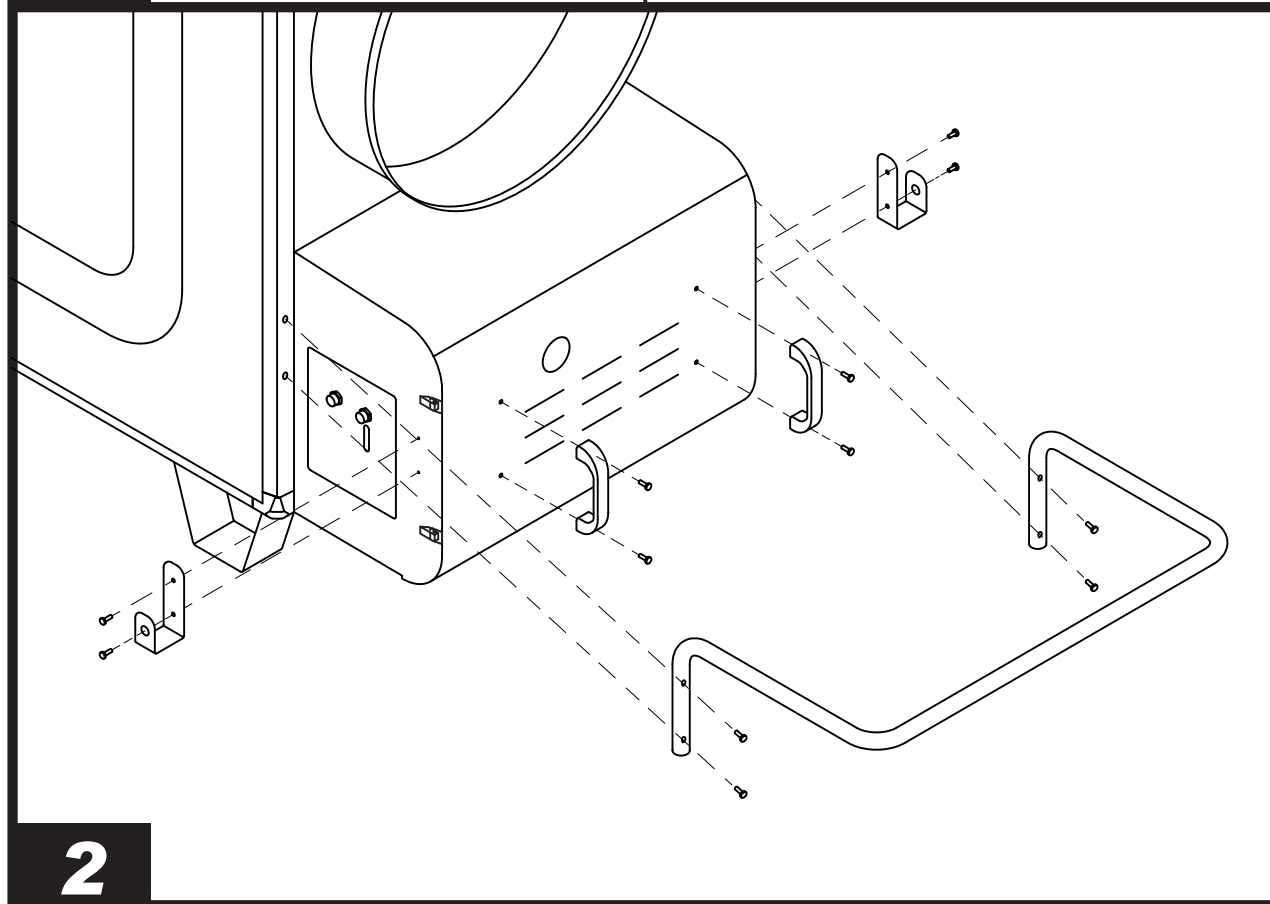
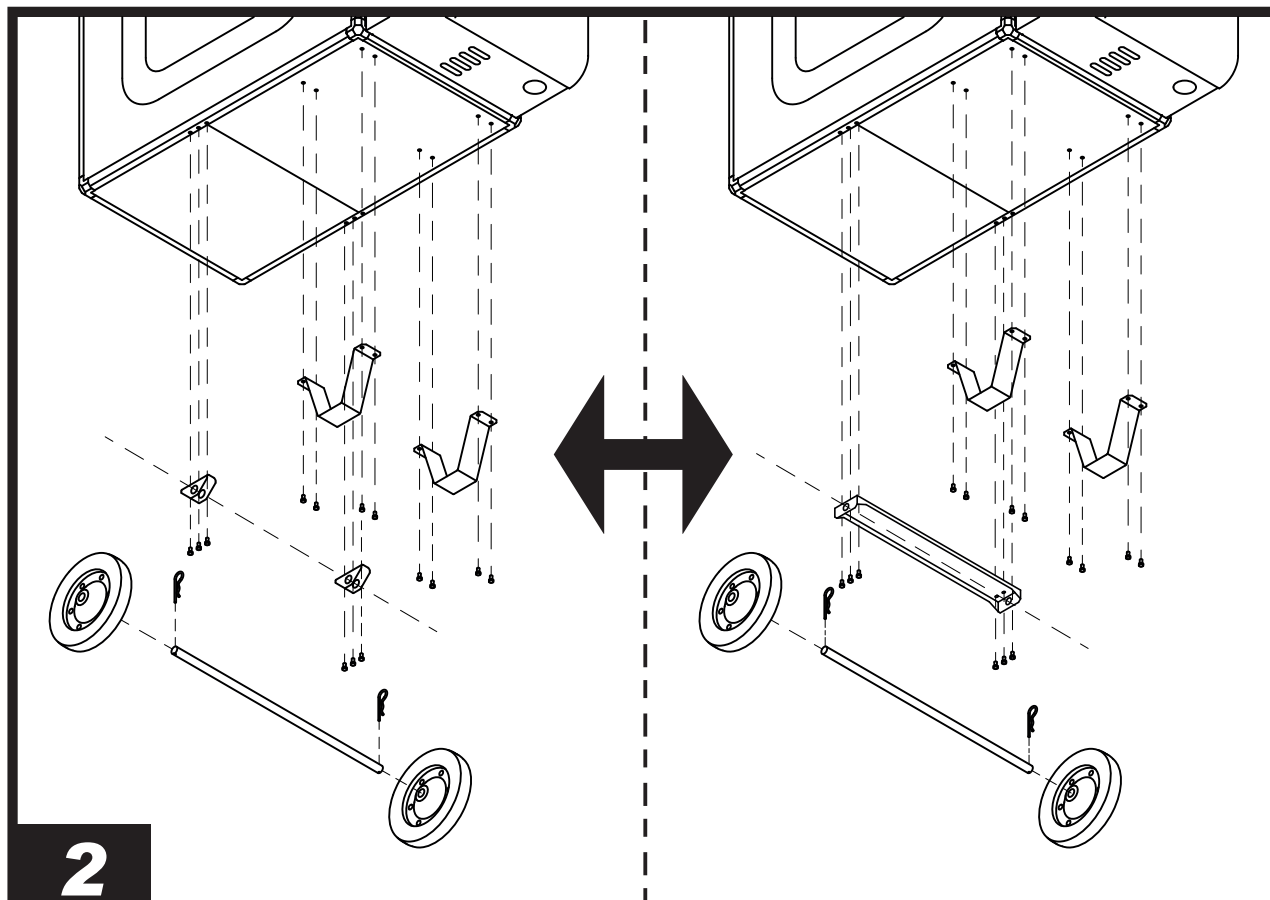
* The extension cords are suggested according rated input voltage. Do only use approved cables and plugs. Do not connect more than one extension cord.

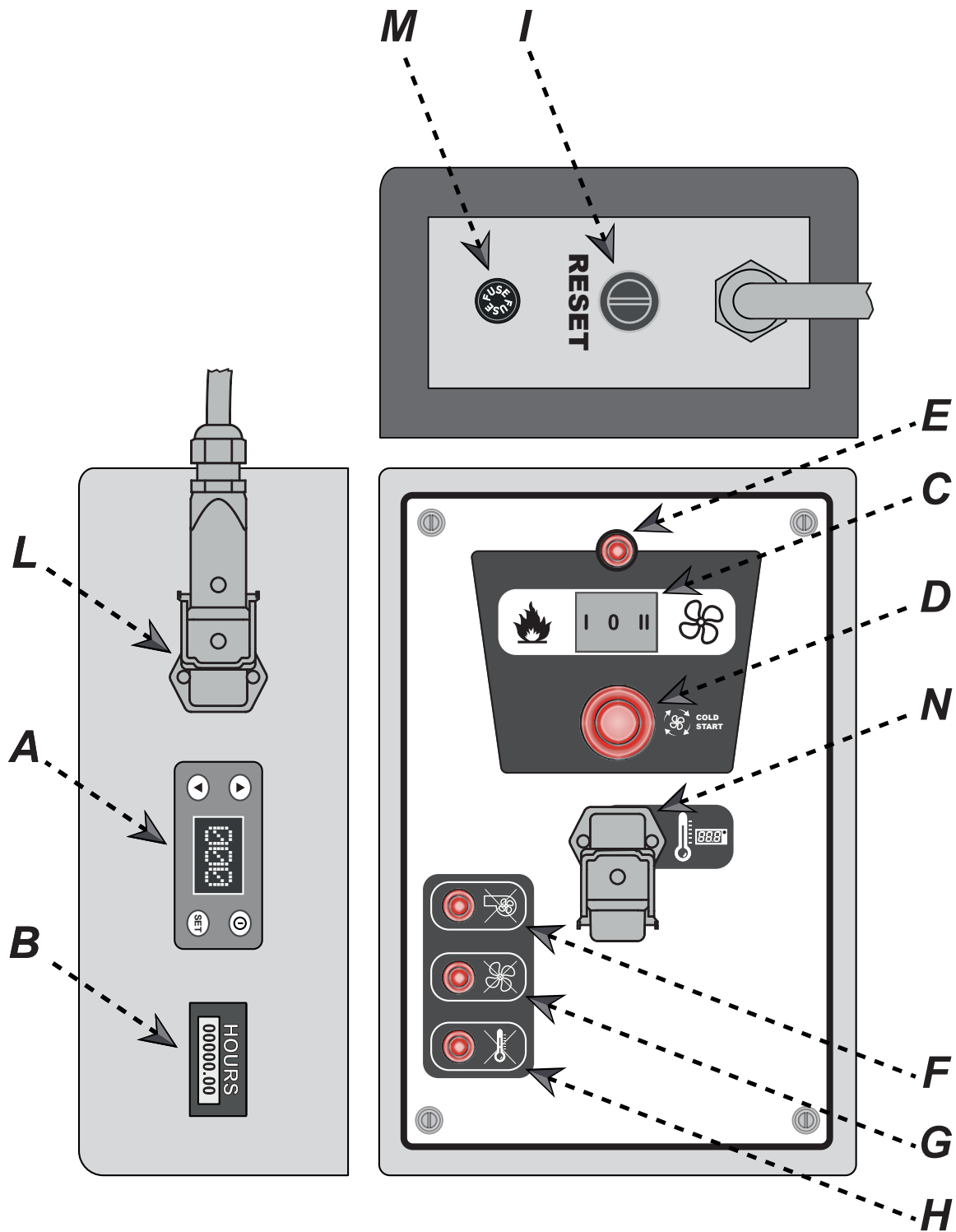
PICTURES - FIGURE - ABBILDUNGEN - FIGURAS - FIGURES - FIGUREN - FIGURAS
- FIGURER - KUVAT - FIGURER - FIGUR - RYSUNKI - РИСУНКИ - OBRÁZKY - ÁBRÁK -
SLIKE - ŞEKİLLER - SLIKE - PAVEIKSLĖLIAI - ATTĒLI - JOONISED - IMAGINI - OBRÁZ-
KY - ФИГУРА - МАЛЮНКИ - SLIKE - ΕΙΚΟΝΕΣ -  - СУРЕТТЕР




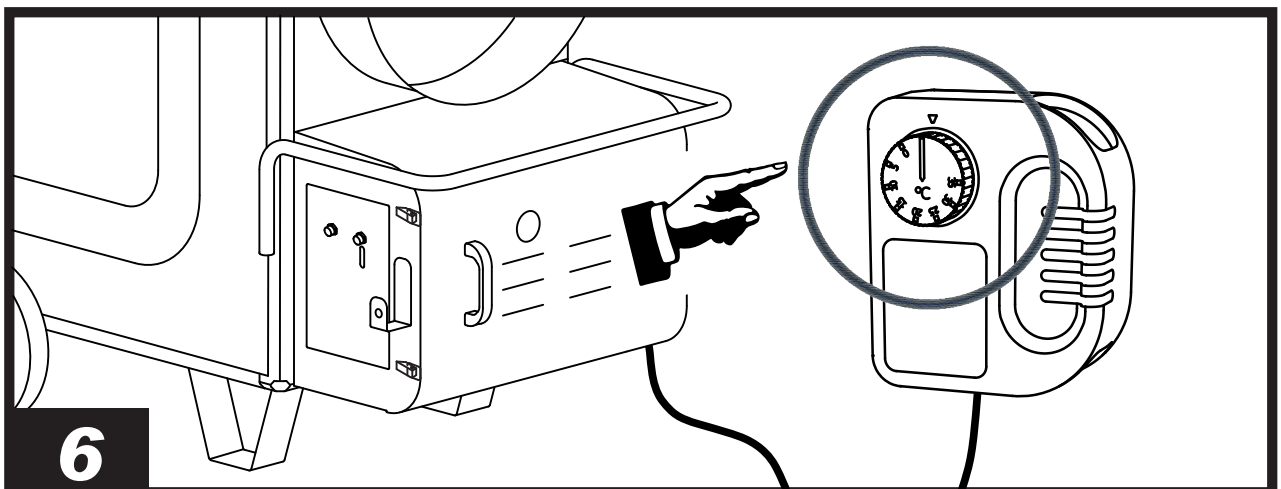
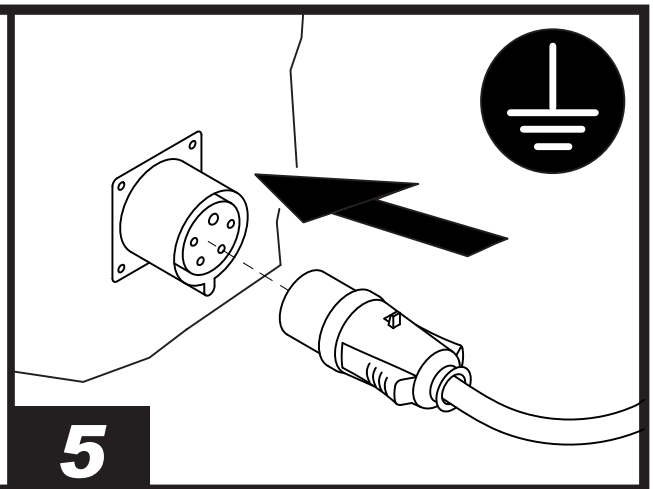
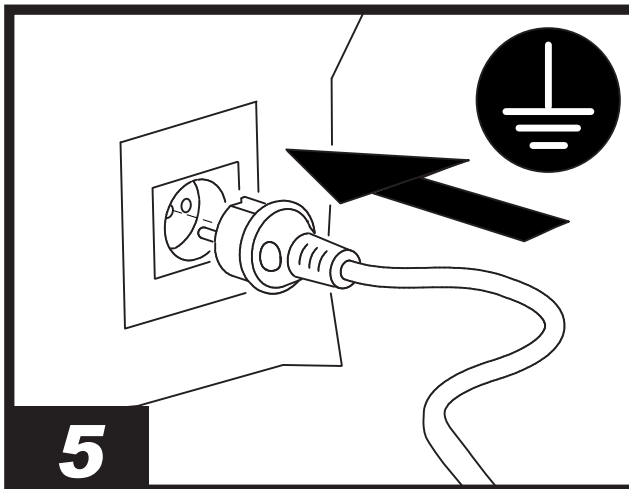
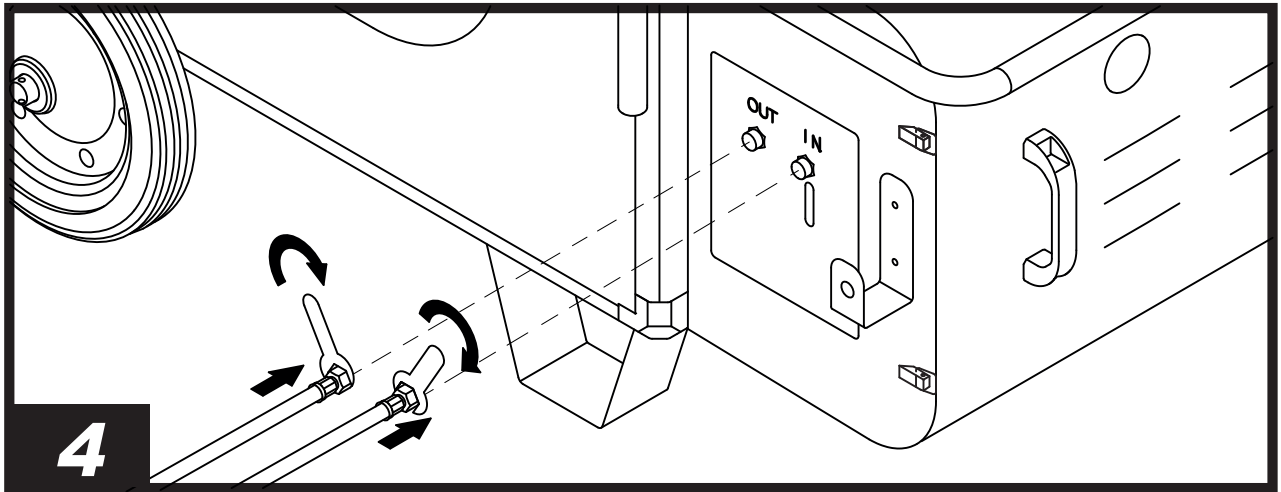
1

PICTURES - FIGURE - ABBILDUNGEN - FIGURAS - FIGURES - FIGUREN - FIGURAS
- FIGURER - KUVAT - FIGURER - FIGUR - RYSUNKI - РИСУНКИ - OBRÁZKY - ÁBRÁK -
SLIKE - ŞEKİLLER - SLIKE - PAVEIKSLĖLIAI - ATTĒLI - JOONISED - IMAGINI - OBRÁZ-
KY - ФИГУРА - МАЛЮНКИ - SLIKE - ΕΙΚΟΝΕΣ -  - СУРЕТТЕР

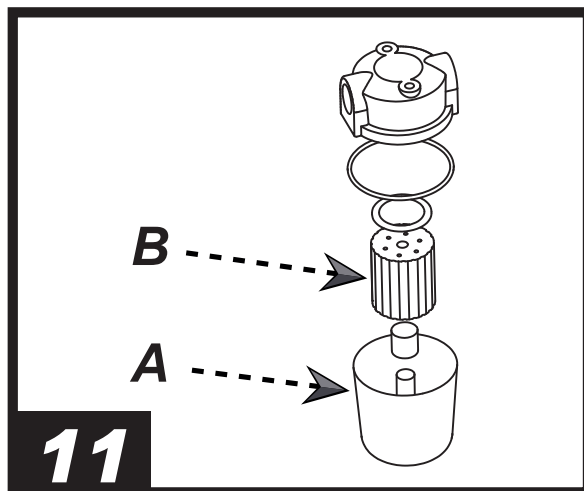
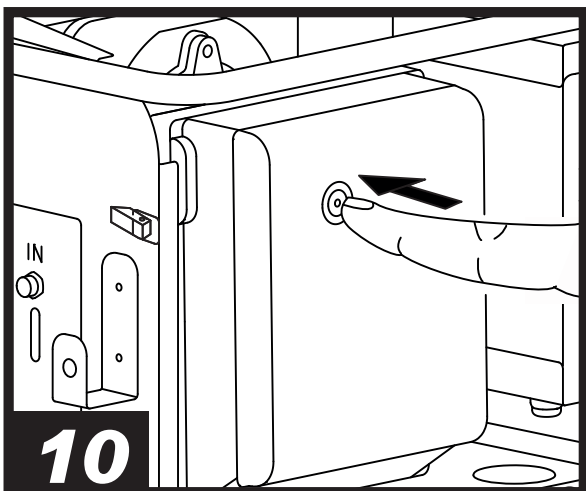
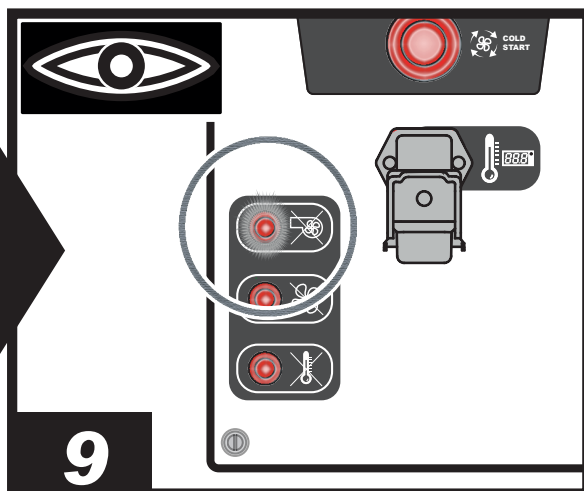
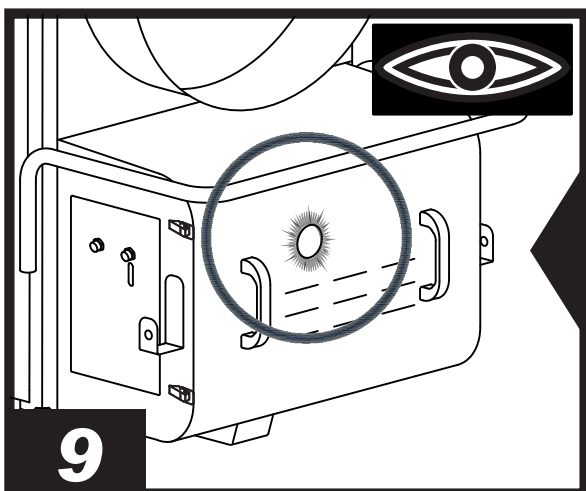
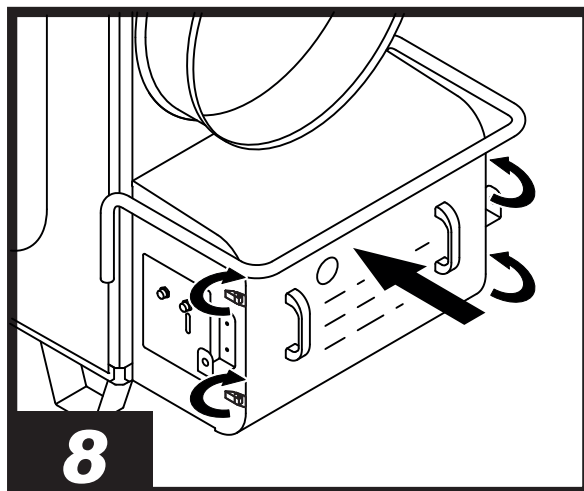
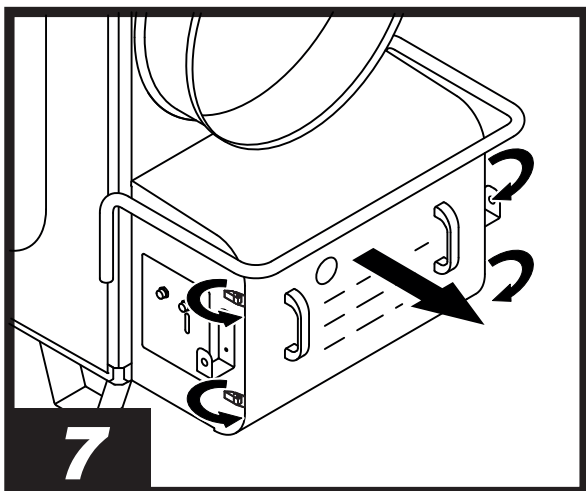





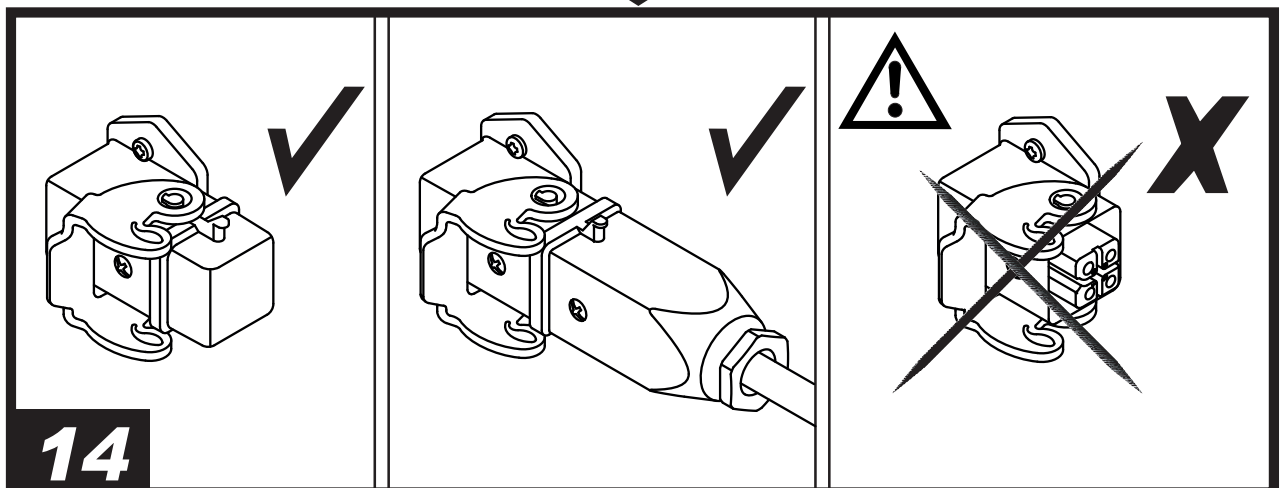
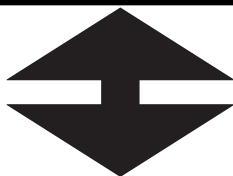
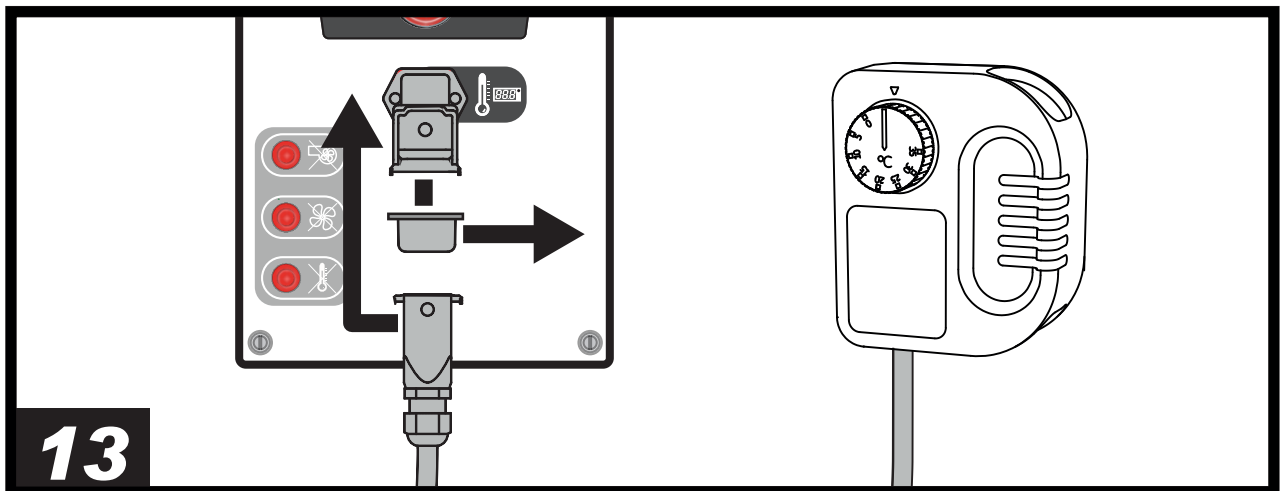
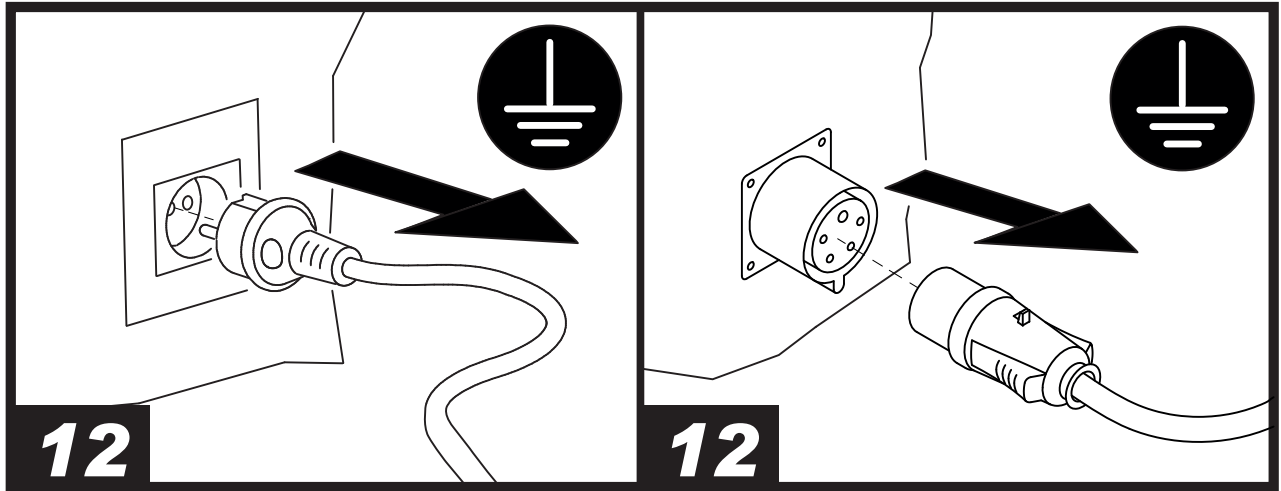
PICTURES - FIGURE - ABBILDUNGEN - FIGURAS - FIGURES - FIGUREN - FIGURAS
- FIGURER - KUVAT - FIGURER - FIGUR - RYSUNKI - РИСУНКИ - OBRÁZKY - ÁBRÁK -
SLIKE - ŞEKİLLER - SLIKE - PAVEIKSLĖLIAI - ATTĒLI - JOONISED - IMAGINI - OBRÁZ-
KY - ФИГУРА - МАЛЮНКИ - SLIKE - ΕΙΚΟΝΕΣ -  - СУРЕТТЕР




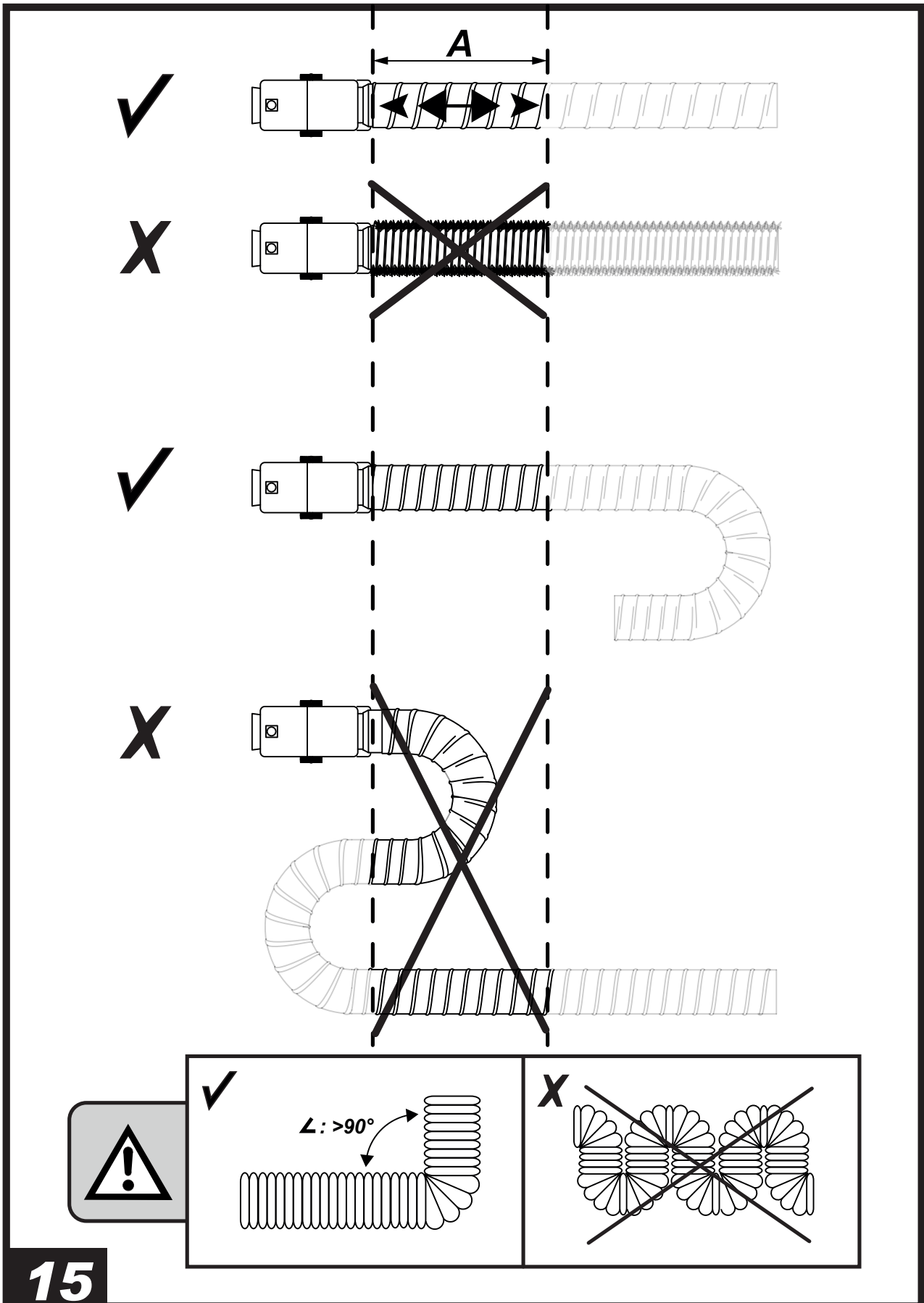
**PICTURES - FIGURE - ABBILDUNGEN - FIGURAS - FIGURES - FIGUREN - FIGURAS
- FIGURER - KUVAT - FIGURER - FIGUR - RYSUNKI - РИСУНКИ - OBRÁZKY - ÁBRÁK -
SLIKE - ŞEKİLLER - SLIKE - PAVEIKSLĖLIAI - ATTĒLI - JOONISED - IMAGINI - OBRÁZ-
KY - ФИГУРА - МАЛЮНКИ - SLIKE - ΕΙΚΟΝΕΣ -  - СУРЕТТЕР**



PICTURES - FIGURE - ABBILDUNGEN - FIGURAS - FIGURES - FIGUREN - FIGURAS
- FIGURER - KUVAT - FIGURER - FIGUR - RYSUNKI - РИСУНКИ - OBRÁZKY - ÁBRÁK -
SLIKE - ŞEKİLLER - SLIKE - PAVEIKSLĖLIAI - ATTĒLI - JOONISED - IMAGINI - OBRÁZ-
KY - ФИГУРА - МАЛЮНКИ - SLIKE - ΕΙΚΟΝΕΣ -  - СУРЕТТЕР



**PICTURES - FIGURE - ABBILDUNGEN - FIGURAS - FIGURES - FIGUREN - FIGURAS
 - FIGURER - KUVAT - FIGURER - FIGUR - RYSUNKI - РИСУНКИ - OBRÁZKY - ÁBRÁK -
 SLIKE - ŞEKİLLER - SLIKE - PAVEIKSLĖLIAI - ATTĒLI - JOONISED - IMAGINI - OBRÁZ-
 KY - ФИГУРА - МАЛЮНКИ - SLIKE - ΕΙΚΟΝΕΣ -  - СУРЕТТЕР**



NOTE:

IMPORTANT: READ AND UNDERSTAND THIS OPERATIONAL MANUAL PRIOR TO ASSEMBLING, STARTING UP OR CONDUCTING MAINTENANCE ON THIS HEATER. USING THE HEATER INCORRECTLY CAN CAUSE SERIOUS OR FATAL INJURIES. KEEP THIS MANUAL FOR FURTHER REFERENCE.


►►► 1. DESCRIPTION


This series of heaters is particularly suited to heating medium to large-sized rooms or areas.

Thanks to an internal heat exchanger, indirect heaters (PIC. 1) separate combustion gases from the hot air released into the environment. This way it is possible to have a flow of clean hot air in the area that needs to be heated up and direct combustion products outside. These heaters have been designed in line with the most recent safety, operating and duration criteria. The safety devices ensure the heater always operates correctly.

►►► 2. SAFETY INFORMATION

WARNINGS

 **IMPORTANT:** This air heater has been designed for mobile and temporary professional applications. It has not been designed for domestic use nor for thermal comfort of human.

 **IMPORTANT:** This appliance is not suitable for use by persons (including children) with reduced physical, sensory or mental capacities or who lack experience or knowledge unless supervised by a person responsible for their safety. Children must be supervised to make sure they do not play with the appliance.

 **DANGER:** Suffocation by carbon monoxide can be fatal.

The first symptoms of suffocation by carbon monoxide are similar to those of flu with headache, light-headedness and/or nausea. These symptoms could be caused by the faulty functioning of the heater. **IF THESE SYMPTOMS OCCUR, GO OUTDOORS IMMEDIATELY** and have the heater repaired by the technical support centre.

►► 2.1. REFUELLING:

- 2.1.1. Personnel appointed to carry out refuelling must be qualified and fully familiar with the manufacturer's instructions and current regulations on how to refuel heaters safely.
- 2.1.2. Only use the type of fuel specified on the heater's identification plate.
- 2.1.3. Before refuelling, turn off the heater and wait for it to cool down.
- 2.1.4. The tanks used to store the fuel must be stored in a separate place.
- 2.1.5. Fuel tanks must be kept at a minimum distance from the heater, in accordance with current standards.

- 2.1.6. The fuel must be stored in an area where the floor does not allow it to penetrate or drip onto flames underneath it, which may ignite the fuel.
- 2.1.7. The fuel must be stored in accordance with current regulations.
- **2.2. SAFETY:**
- 2.2.1. Never use the heater in areas with petrol, paint solvents or other highly flammable vapours.
- 2.2.2. Comply with all local legislation and current regulations when using the heater.
- 2.2.3. Heaters used near tarpaulins, curtains or other similar covering materials must be a safe distance from them. It is advised to use fire-proof covering material.
- 2.2.4. Only use in well-ventilated areas. Set-up a suitable opening in line with current standards, with the purpose of introducing fresh air from outdoors.
- 2.2.5. Power on the heater only with a current which has the voltage and frequency values specified on the identification plate.
- 2.2.6. Only use suitably earthed extension cables.
- 2.2.7. Recommended safety distances between the heater and flammable substances: front output 2.5 m; on the side, at the top and at the back = 1.5 m.
- 2.2.8. Avoid fire hazards by placing the hot or functioning heater on a steady level surface.
- 2.2.9. Keep animals at a safe distance from the heater.
- 2.2.10. Disconnect the heater from the mains power supply when not in use.
- 2.2.11. When it is controlled by a thermostat, the heater can turn on at any time.
- 2.2.12. Never use the heater in frequently used rooms nor in bedrooms.
- 2.2.13. Never block the heater's air vent or the air outlet.
- 2.2.14. Never move, handle, refuel or conduct maintenance on the heater when it is hot, connected to the mains or in operation.
- 2.2.15. Only use original kits to direct the air coming in and/or going out (where applicable).
- 2.2.16. Keep the hot parts of the heater at a suitable distance from inflammable or thermolabile materials (including the power supply cable).
- 2.2.17. If the power supply cable is damaged, it must be replaced by a technical support centre to prevent any risk.
- 2.2.18. During operation, make sure that the fire-fighting devices are ready for use.
- 2.2.19. Use original spare parts when replacing the burner, strictly complying with indications regarding capacity, type of nozzles and pump

pressure. An increase in burner power could damage the heater.

▶▶▶ **3. UNPACKING**

WARNING: THE PACKAGING MATERIAL IS NOT A TOY. KEEP THE PLASTIC BAG OUT OF REACH OF CHILDREN; DANGER OF SUFFOCATION!

- ▶ 3.1. Remove all packaging materials used to package and ship the heater. Dispose of them in compliance with current standards.
- ▶ 3.2. If the heater is placed on the platform, lower it gently using suitable devices and instruments, in accordance with national regulations and current standards. It can be lifted with the forklift truck, by using suitable chains and suspension hooks (the heater is equipped with eyebolts).
- ▶ 3.3. Check for any damage incurred during transport. If the heater appears damaged, immediately inform the dealer from whom it was purchased.

▶▶▶ **4. ASSEMBLY**

(PIC. 2)

These heaters are equipped with handles, brackets, supports, etc. depending on the model. These parts, which come with the relative nuts and bolts, are in the heater's packaging.

▶▶▶ **5. FUEL**

WARNING: THE HEATER ONLY WORKS WITH DIESEL OR KEROSENE.

Only use diesel or kerosene to avoid any fire or explosion hazard. Never use petrol, naphtha, solvents for paints, alcohol or other highly inflammable fuels. Use non-toxic, anti-freeze additives in case of very low temperatures.

It is recommended to use winter diesel oil below 5°C.

▶▶▶ **6. OPERATING PRINCIPLES**

The burner pump draws the fuel from the tank and sends it to the pressurised nozzle where it is nebulised and mixed with comburent air in the combustion chamber. A spark triggers combustion while the waste fumes are expelled from the chimney. A series of sensors constantly checks the correct operation of the heater, stopping the cycle in the case of a fault. The fan, located at the rear of the heater, cools the combustion chamber and the flue gas pass, transferring the heat from the latter into the environment.

▶▶▶ **7. CONTROL PANEL**

(PIC. 3)

- A. Electronic regulator.
- B. Hour meter.
- C. Power switch.
- D. Ventilation control button.
- E. Electric voltage presence light.
- F. Burner block alarm light.
- G. Ventilation block alarm light.
- H. Overtemperature alarm light.

- I. Overtemperature thermostat reset.
- L. Burner connector.
- M. Fuse.
- N. Room thermostat remote connector.

▶▶▶ **8. OPERATION**

WARNING: CAREFULLY READ THE "SAFETY INFORMATION" BEFORE SWITCHING ON THE HEATER.

▶▶▶ 8.1. IGNITING THE HEATER:

- ▶ 8.1.1. Follow all the safety instructions.
- ▶ 8.1.2. Connect the fuel pipes respecting the correct inlet and outlet connections (PIC. 4).
- ▶ 8.1.3. Check if there is any fuel in the tank.
- ▶ 8.1.4. Connect the supply plug to the power mains (PIC. 5) (SEE VOLTAGE IN THE "TECHNICAL DATA TABLE").
- ▶ 8.1.5. Set the "ON/OFF" switch to "FLAME" (C PIC. 3). The heater should turn on within a few seconds. If the heater does not start, refer to paragraph "TROUBLESHOOTING".
- ▶ 8.1.6. The heater can be used in ventilation mode, which is activated by setting the ON/OFF switch to "FAN" (C PIC. 3).
- ▶ 8.1.7. The heater has a ventilation control button (D PIC. 3).
 - BUTTON ON: The ventilation works continuously (ideal for extreme conditions of use).
 - BUTTON OFF: The ventilation works automatically (normal operation).
- ▶ 8.1.8. For models with a room thermostat, check the set temperature (PIC. 6).

NOTE: IF THE HEATER SWITCHES OFF DUE TO LACK OF FUEL, TOP UP THE TANK AND RESET THE HEATER (SEE PAR. "RESET THE HEATER").

IMPORTANT: IN INDIRECT MODELS, COMBUSTION PRODUCTS CAN BE DIRECTED OUTSIDE VIA THE DUCTS. CARRY OUT THE DUCTING IN ACCORDANCE WITH CURRENT REGULATIONS AND FOLLOW THE INSTRUCTIONS IN THE RELEVANT SECTION OF THE MANUAL.

▶▶▶ 8.2. TURNING OFF THE HEATER:

Turn the "ON/OFF" switch to "0" (C PIC. 3). The flame turns off and the fan keeps on working until the combustion chamber has fully cooled down. Do not pull out the electrical plug until the cooling cycle has ended.

▶▶▶ **9. RESET THE HEATER**

In the event of an anomaly during the normal operation, the heater switches off.

To restart the heater, identify and eliminate the cause that caused the stop (for instance, obstruction of the air intake and/or outlet, fan stop, lack of fuel, etc.). If it is not possible to eliminate the problem that caused the stoppage, contact a support centre for technical assistance.

In order to reset the heater, we recommend following the procedure below (follow all safety-related instructions):

- ▶ **OVERTEMPERATURE THERMOSTAT RESET** [Light on (H PIC. 3)]: The heater has reached the

maximum operating temperature. To reset the heater, eliminate the cause of the block (if necessary, contact the support centre), remove the cover (PIC. 7), loosen the plug and press the button all the way (I PIC. 3). Then tighten the plug again and restore the cover (PIC. 8).

- ▶ RESET THE BURNER [Light on (F PIC. 3) (PIC. 9)]: The burner has had an operation anomaly. To reset the burner, eliminate the cause of the block (if necessary, contact the support centre), remove the cover (PIC. 7) and fully press the button for a few seconds (PIC. 10). Then restore the cover (PIC. 8).
- ▶ RESET THE VENTILATION MOTOR [Light on (G PIC. 3)]: The ventilation motor is blocked or works abnormally. To reset the heater, turn the "ON/OFF" switch to "0" (C PIC. 3), eliminate the cause of the block (if necessary, contact the support centre) and switch the heater on again.

▶▶▶ **10. ELECTRONIC REGULATOR CONFIGURATION**

IMPORTANT: THE ELECTRONIC REGULATOR (ALREADY SET UP BY THE MANUFACTURER), IF IT IS NOT RE-SET UP, DOES NOT COMPROMISE THE CORRECT OPERATION OF THE HEATER.

The electronic regulator (A PIC. 3) controls the start-up and shutdown of the ventilation in the preheating and post-ventilation stages of the heater.

Depending on the room temperature (very cold weather or very hot weather, SEE TAB. "CONFIGURING THE ELECTRONIC REGULATOR"), it may be required to change the reference parameter.

Configuration procedure:

- ▶ 10.1. Make sure that the on/off switch is at "0" and the power plug is connected to the power mains.
- ▶ 10.2. Perform the following key sequence:
 - Press the "SET" key.
 - Display "SP2" by scrolling with the "▼" / "▲" keys.
 - Press the "SET" key to access.
 - Set the desired temperature using the "▼" / "▲" keys.
 - Press the "SET" key to confirm.

IMPORTANT: THE ELECTRONIC REGULATOR DOES NOT HAVE THE ROOM THERMOSTAT FUNCTION.

▶▶▶ **11. CLEANING THE FILTERS**

▶▶▶ 11.1. INTAKE FILTER, DEPENDING ON THE MODEL: (PIC. 11)

The filters may need to be cleaned depending on the quality of the fuel used:

- ▶ 11.1.1. Remove the cup (A).
- ▶ 11.1.2. Take out the filter (B) from the cup. Make sure you preserve the gaskets.
- ▶ 11.1.3. Clean the filter (B) with clean fuel; make sure you do not damage it.
- ▶ 11.1.4. Put the filter (B) back into the cup.
- ▶ 11.1.5. Put the glass (A) back, make sure you reassemble the gaskets correctly.

▶▶ 11.2. FUEL PUMP FILTER:

See the preventive maintenance schedule.

▶▶▶ **12. STORAGE AND TRANSPORT**

WARNING: BEFORE ANY MOVEMENT, STOP THE HEATER (SEE PAR. "TURNING OFF THE HEATER"), DISCONNECT THE POWER SUPPLY BY REMOVING THE PLUG FROM THE POWER SOCKET (PIC. 12) AND WAIT FOR THE HEATER TO COOL DOWN COMPLETELY. KEEP THE HEATER IN A LEVEL POSITION WHEN MOVING IT.

In order to keep the heater in the best possible conditions, we recommend following the procedure below (follow all safety-related instructions):

- ▶ 12.1. It can be lifted with the forklift truck, by using suitable chains and suspension hooks (the heater is equipped with eyebolts).
- ▶ 12.2. In order to keep the heater in the best conditions possible, we recommend placing it in a dry place away from potential external damage.

▶▶▶ **13. CONNECTING THE ROOM THERMOSTAT**

In models with a room thermostat connection, remove the plug connected to the heater and connect the room thermostat (optional) (PIC. 13-14).

▶▶▶ **14. TIPS FOR DUCTING**

(PIC. 15)

IMPORTANT: ONLY USE ORIGINAL KITS TO DIRECT THE AIR COMING IN AND/OR GOING OUT (WHERE APPLICABLE).

In order to avoid heater operating problems or harm to people, pay attention to the layout of the air ducting pipes. To reduce the air flow resistance, we recommend positioning the ducting pipes reducing the number of curves and avoiding bends with sharp corners. The first meters must be without curves.

WARNING: BEFORE PERFORMING ANY MAINTENANCE OR REPAIRS, DISCONNECT THE POWER SUPPLY CABLE FROM THE MAINS AND MAKE SURE THAT THE HEATER IS COLD.

►►► 15. PREVENTIVE MAINTENANCE SCHEDULE

COMPONENT	MAINTENANCE FREQUENCY	MAINTENANCE PROCEDURE
Filters	Clean or replace once a year or as required (make sure they are intact)	Clean the filters (SEE PAR. "CLEANING THE FILTERS")
Fuel pump filter	Clean or replace once a year or as required (make sure they are intact)	Contact a support centre
Electrodes	Clean as required	Contact a support centre
Fan	Clean as required	Contact a support centre
Combustion chamber	Clean as required	Contact a support centre

►►► 16. TROUBLESHOOTING

PROBLEM	POSSIBLE CAUSE	POSSIBLE SOLUTION
The heater does not start or does not remain on	<ol style="list-style-type: none"> 1. "ON/OFF" switch at "0" 2. No power supply 3. Interrupted power cable 4. Electronics need to be reset or are faulty 5. Incorrect setting of the room thermostat (if applicable) 6. No fuel 7. Foreign substances in the fuel circuit 8. Temperature set on the digital thermostat too high 9. Electronics blocked 	<ol style="list-style-type: none"> 1. Set the "ON/OFF" switch to "FLAME" (C PIC. 3) 2a. Plug the power cable into the mains socket (PIC. 5) 2b. Check your system is powered correctly 3. Contact a support centre 4a. Reset the heater (SEE PAR. "RESET THE HEATER") 4b. Contact a support centre 5. Set the room thermostat to a temperature higher than the temperature of the working environment (PIC. 6) 6. Refuel and, if necessary, reset the heater (SEE PAR. "RESET THE HEATER") 7a. Empty and fill the tank with clean fuel 7b. Clean the filters (SEE PAR. "CLEANING THE FILTERS") 7c. Contact a support centre 8. Lower the set temperature of the digital thermostat (SEE PAR. "ELECTRONIC REGULATOR CONFIGURATION") 9. Reset the electronics (SEE PAR. "RESET THE HEATER")
The heater generates smoke during operation	<ol style="list-style-type: none"> 1. Foreign substances in the fuel circuit 2. Obstruction of inlet air vent 	<ol style="list-style-type: none"> 1a. Empty and fill the tank with clean fuel 1b. Clean the filters (SEE PAR. "CLEANING THE FILTERS") 1c. Contact a support centre 2. Remove all possible obstructions from the air vent
The heater does not switch off	<ol style="list-style-type: none"> 1. Temperature set on the digital thermostat too low 2. Electronics are faulty 	<ol style="list-style-type: none"> 1. Raise the set temperature of the digital thermostat (SEE PAR. "ELECTRONIC REGULATOR CONFIGURATION") 2. Contact a support centre

IMPORTANTE: LEGGERE E COMPRENDERE QUESTO MANUALE OPERATIVO PRIMA DI EFFETTUARE L'ASSEMBLAGGIO, LA MESSA IN FUNZIONE O LA MANUTENZIONE DI QUESTO RISCALDATORE. L'USO ERRATO DEL RISCALDATORE PUÒ CAUSARE LESIONI GRAVI O FATALI. CONSERVARE QUESTO MANUALE A TITOLO DI FUTURO RIFERIMENTO.

►►► 1. DESCRIZIONE

Questa serie di riscaldatori d'aria calda è fornita senza bruciatore installato, ed particolarmente indicata per il riscaldamento di locali o spazi, aventi medie o grandi dimensioni.

Questi riscaldatori d'aria calda, sono stati progettati secondo i più moderni criteri di sicurezza, funzionalità e durata. I dispositivi di sicurezza garantiscono sempre il corretto funzionamento del riscaldatore.

►►► 2. INFORMAZIONI SULLA SICUREZZA AVVERTENZE



IMPORTANTE: Questo apparecchio non è adatto all'uso da parte di persone (inclusi bambini) con capacità fisiche, sensoriali e mentali ridotte, o inesperte, a meno che non vengano supervisionate da una persona responsabile per la loro sicurezza. I bambini devono essere controllati, per assicurarsi che non giochino con l'apparecchio.



IMPORTANTE: Non utilizzare per il riscaldamento delle aree abitabili di edifici residenziali; per l'uso in edifici pubblici, fare riferimento ai regolamenti nazionali.



IMPORTANTE: Questo riscaldatore d'aria è stato progettato per applicazioni professionali mobili e temporanee. Non è destinato all'uso domestico, né al comfort termico delle persone.



IMPORTANTE: Questo apparecchio non è adatto all'uso da parte di persone (inclusi bambini) con capacità fisiche, sensoriali e mentali ridotte, o inesperte, a meno che non vengano supervisionate da una persona responsabile per la loro sicurezza. I bambini devono essere controllati, per assicurarsi che non giochino con l'apparecchio.



PERICOLO: L'uso improprio di questo riscaldatore può provocare danni o pericolo di vita a persone, lesioni, ustioni, esplosioni, elettroshock o avvelenamento. I primi sintomi di asfissia da ossido di carbonio assomigliano a quelli dell'influenza, con cefalee, capogiri e/o nausea. Tali sintomi potrebbero essere causati dal funzionamento difettoso del riscaldatore. **NEL CASO SI PRESENTASSERO QUESTI SINTOMI, USCIRE IMMEDIATAMENTE ALL'APERTO e far riparare il riscaldatore dall'assistenza tecnica.**

I primi sintomi di asfissia da ossido di carbonio assomigliano a quelli dell'influenza, con cefalee, capogiri e/o nausea. Tali sintomi potrebbero essere causati dal funzionamento difettoso del riscaldatore. **NEL CASO SI PRESENTASSERO QUESTI SINTOMI,**

USCIRE IMMEDIATAMENTE ALL'APERTO e far riparare il riscaldatore dal centro assistenza tecnica.

►► 2.1. RIFORNIMENTO:

- 2.1.1. Il personale incaricato del rifornimento, deve essere qualificato ed avere totale dimestichezza con le istruzioni del fabbricante e con la normativa vigente in merito al rifornimento sicuro dei riscaldatori.
- 2.1.2. Usare solamente il tipo di combustibile espressamente specificato sulla targhetta identificativa del riscaldatore.
- 2.1.3. Prima di effettuare il rifornimento, spegnere il riscaldatore, ed attendere che si raffreddi.
- 2.1.4. Le cisterne di magazzinaggio del carburante devono trovarsi in una struttura separata.
- 2.1.5. Tutti i serbatoi del combustibile, devono trovarsi ad una distanza minima di sicurezza dal riscaldatore, secondo le norme vigenti.
- 2.1.6. Il combustibile va conservato in locali il cui pavimento non permetta la penetrazione ed il gocciolio dello stesso su fiamme sottostanti, che possano causarne l'accensione.
- 2.1.7. La conservazione del combustibile va effettuata in conformità alla normativa vigente.

►► 2.2. SICUREZZA:

- 2.2.1. Non usare mai il riscaldatore in locali nei quali siano presenti benzina, solventi per vernici o altri vapori altamente infiammabili.
- 2.2.2. Durante l'uso del riscaldatore, attenersi a tutte le ordinanze locali ed alla normativa vigente.
- 2.2.3. I riscaldatori usati in prossimità di teloni, tende o altri materiali simili di copertura, devono essere situati a distanza di sicurezza da essi. Si consiglia anche di usare materiali di copertura di tipo ignifugo.
- 2.2.4. Usare solamente in aree ben ventilate. Predisporre un'apertura adeguata secondo le norme vigenti, allo scopo di immettere aria fresca dall'esterno.
- 2.2.5. Alimentare il riscaldatore solamente con corrente avente tensione e frequenza specificate sulla targhetta identificativa.
- 2.2.6. Usare solamente prolunghe opportunamente collegate a massa.
- 2.2.7. Distanze minime di sicurezza, consigliate, intercorrenti tra il riscaldatore e le sostanze infiammabili sono: uscita anteriore = 2,5 m; di lato, in alto e sul retro = 1,5 m.
- 2.2.8. Porre il riscaldatore caldo, o in funzione, su una superficie stabile e livellata, in modo da evitare i rischi di incendio.
- 2.2.9. Tenere gli animali a distanza di sicurezza dal riscaldatore.
- 2.2.10. Scollegare il riscaldatore dalla presa di rete, quando non lo si usa.
- 2.2.11. Quando è controllato da un termostato, il riscaldatore può accendersi in qualsiasi momento.
- 2.2.12. Non usare mai il riscaldatore in stanze frequentemente abitate, né in camere da letto.
- 2.2.13. Non bloccare mai la presa dell'aria, né l'uscita dell'aria del riscaldatore.

- ▶ **2.2.14. Quando il riscaldatore è caldo, o collegato alla rete elettrica, o in funzione, non deve mai essere spostato, maneggiato, rifornito né soggetto ad alcun intervento di manutenzione.**
- ▶ **2.2.15. Evitare di canalizzare l'aria in entrata e/o in uscita se non con kit originali (dove previsto).**
- ▶ **2.2.16. Mantenere ad una adeguata distanza materiali infiammabili, o termolabili (compreso il cavo di alimentazione) dalle parti calde del riscaldatore.**
- ▶ **2.2.17. Se il cavo di alimentazione risulta danneggiato, deve essere sostituito dal centro assistenza tecnica, in modo da prevenire ogni rischio.**
- ▶ **2.2.18. Durante il funzionamento, assicuratevi che i dispositivi antincendio siano pronti all'uso.**
- ▶ **2.2.19. In caso di sostituzione del bruciatore, utilizzare ricambi originali, rispettare scrupolosamente quanto previsto per portata, tipo degli ugelli e pressione pompa. Un aumento della potenza del bruciatore potrebbe danneggiare il riscaldatore.**

▶▶▶ **3. DISIMBALLAGGIO**

AVVERTENZA: IL MATERIALE DELLA CONFEZIONE NON È UN GIOCATTOLO PER BAMBINI. TENERE IL SACCHETTO DI PLASTICA LONTANO DALLA PORTATA DEI BAMBINI; PERICOLO DI SOFFOCAMENTO!

- ▶ 3.1. Rimuovere tutti i materiali di imballaggio usati per confezionare e spedire il riscaldatore. Smaltirli secondo le norme vigenti.
- ▶ 3.2. Nel caso il riscaldatore fosse posto sulla pedana, farlo scendere delicatamente utilizzando dispositivi e strumenti idonei, secondo la regolamentazione nazionale e in linea con le norme vigenti. È possibile sollevarlo con il carrello elevatore, tramite l'utilizzo di adeguate catene e ganci di sospensione (il riscaldatore è dotato di golfari).
- ▶ 3.3. Controllare eventuali danni subiti durante il trasporto. Se il riscaldatore appare danneggiato, informare immediatamente il concessionario presso il quale è stato acquistato.

▶▶▶ **4. ASSEMBLAGGIO**

(FIG. 2)

Questi riscaldatori sono dotati di maniglie, staffe, supporti, ecc. a seconda del modello. Tali componenti, completi della relativa bulloneria di montaggio, sono situati nell'imballo del riscaldatore.

▶▶▶ **5. COMBUSTIBILE**

AVVERTENZA: IL RISCALDATORE FUNZIONA SOLO CON DIESEL O KEROSENE.

Usare solamente diesel o kerosene, per evitare rischi di incendio o di esplosione. Non fare mai uso di benzina, nafta, solventi per vernici, alcool o altri combustibili altamente infiammabili.

Usare additivi antigelo non tossici in caso di temperature molto basse.

Si consiglia di utilizzare gasolio invernale al di sotto dei 5°C.

▶▶▶ **6. PRINCIPI DI FUNZIONAMENTO**

La pompa del bruciatore, aspira il combustibile dal serbatoio e lo invia a l'ugello in pressione dove viene nebulizzato e miscelato all'aria comburente nella camera di combustione. Una scintilla innesca la combustione mentre i fumi di scarto vengono espulsi dal camino. Una serie di sensori verificano costantemente il corretto funzionamento del riscaldatore,

arrestando il ciclo in caso di anomalie. Il ventilatore, posizionato nella parte posteriore del riscaldatore, ha lo scopo di raffreddare la camera di combustione ed il girofumi, trasferendo il calore da questi ultimi all'ambiente.

▶▶▶ **7. PANNELLO DI CONTROLLO**

(FIG. 3)

- A. Regolatore elettronico.
- B. Contatore.
- C. Interruttore di accensione.
- D. Pulsante per il controllo della ventilazione.
- E. Spia presenza tensione elettrica.
- F. Spia d'allarme blocco bruciatore.
- G. Spia d'allarme blocco ventilazione.
- H. Spia d'allarme di sovratemperatura.
- I. Reset termostato di sovratemperatura.
- L. Connettore bruciatore.
- M. Fusibile.
- N. Connettore termostato ambiente remoto.

▶▶▶ **8. FUNZIONAMENTO**

AVVERTENZA: LEGGERE ATTENTAMENTE LE "INFORMAZIONI SULLA SICUREZZA", PRIMA DI ACCENDERE IL RISCALDATORE.

▶▶▶ **8.1. ACCENSIONE DEL RISCALDATORE:**

- ▶ 8.1.1. Seguire tutte le istruzioni relative alla sicurezza.
- ▶ 8.1.2. Collegare i tubi del combustibile rispettando le corrette connessioni di ingresso e di uscita (FIG. 4).
- ▶ 8.1.3. Controllare la presenza di combustibile nel serbatoio.
- ▶ 8.1.4. Collegare la spina di alimentazione alla rete elettrica (FIG. 5) (VEDERE TENSIONE IN "TABELLA DATI TECNICI").
- ▶ 8.1.5. Portare l'interruttore di accensione in posizione "FIAMMA" (C FIG. 3). Il riscaldatore dovrebbe accendersi entro pochi secondi. Se il riscaldatore non si avvia, consultare il paragrafo "INDIVIDUAZIONE PROBLEMA".
- ▶ 8.1.6. Il riscaldatore può essere utilizzato in modalità ventilazione, per attivare tale funzione, posizionare l'interruttore di accensione in posizione "VENTOLA" (C FIG. 3).
- ▶ 8.1.7. Il riscaldatore dispone di un pulsante che permette di controllare la ventilazione (D FIG. 3).
 - PULSANTE ATTIVO: La ventilazione funziona in continuo (ideale per condizioni di utilizzo estreme).
 - PULSANTE DISATTIVO: La ventilazione funziona in automatico (normale funzionamento).
- ▶ 8.1.8. Per i modelli con termostato ambiente, verificare la temperatura impostata (FIG. 6).

NOTA: IN CASO DI SPEGNIMENTO DEL RISCALDATORE DOVUTO ALL'ESAURIMENTO DEL COMBUSTIBILE, RABBOCCARE IL SERBATOIO E RESETTARE IL RISCALDATORE (VEDI PARAG. "RESET DEL RISCALDATORE").

IMPORTANTE: NEI MODELLI INDIRETTI, I PRODOTTI DELLA COMBUSTIONE POSSONO ESSERE CANALIZZATI ALL'ESTERNO. ESEGUIRE LA CANALIZZAZIONE SECONDO LA NORMATIVA VIGENTE E RISPETTARE LE INDICAZIONI RIPORTATE NELL'APPOSITA SEZIONE DEL MANUALE.

▶▶▶ **8.2. SPEGNIMENTO DEL RISCALDATORE:**

Portare l'interruttore di accensione in posizione "0" (C FIG. 3). La fiamma si spegne e il ventilatore continua a

funzionare fino al completo raffreddamento della camera di combustione. Non scollegare la spina elettrica fino al completamento del ciclo di raffreddamento.

►►► 9. RESET DEL RISCALDATORE

Nel caso che si verifichi un'anomalia nel normale funzionamento, il riscaldatore si spegne.

Per rimettere in funzione il riscaldatore, si deve individuare ed eliminare la causa che ha causato il blocco (ad esempio, ostruzione della presa d'aria in entrata e/o di mandata dell'aria, arresto del ventilatore, mancanza combustibile, ecc.). Nel caso non si riuscisse ad eliminare il problema che ha causato il blocco, far intervenire il centro di assistenza tecnica.

Al fine di resettare il riscaldatore, si consiglia di seguire la procedura seguente (seguire tutte le istruzioni relative alla sicurezza):

- RESET TERMOSTATO DI SOVRATEMPERATURA [Spia accesa (H FIG. 3)]: Il riscaldatore ha raggiunto la temperatura massima di funzionamento. Per resettare il riscaldatore eliminare la causa che ha provocato il blocco (in caso rivolgersi al centro di assistenza), rimuovere la copertura (FIG. 7), svitare il tappo e premere a fondo il pulsante (I FIG. 3). In seguito riavvitare il tappo e ripristinare la copertura (FIG. 8).
- RESET DEL BRUCIATORE [Spia accesa (F FIG. 3) (FIG. 9)]: Il bruciatore ha avuto un'anomalia nel funzionamento. Per resettare il bruciatore, eliminare la causa che ha provocato il blocco (in caso rivolgersi al centro di assistenza), rimuovere la copertura (FIG. 7) e premere a fondo per alcuni secondi il pulsante (FIG. 10). In seguito ripristinare la copertura (FIG. 8).
- RESET DEL MOTORE DELLA VENTILAZIONE [Spia accesa (G FIG. 3)]: Il motore della ventilazione è bloccato o funziona in maniera anomala. Per resettare il riscaldatore, portare l'interruttore di accensione in posizione "0" (C FIG. 3), eliminare la causa che ha provocato il blocco (in caso rivolgersi al centro di assistenza) e riaccendere il riscaldatore.

►►► 10. CONFIGURAZIONE DEL REGOLATORE ELETTRONICO

IMPORTANTE: IL REGOLATORE ELETTRONICO (GIÀ SETTATO DAL PRODUTTORE), SE NON VIENE REIMPOSTATO, NON PREGIUDICA IL CORRETTO FUNZIONAMENTO DEL RISCALDATORE.

Il regolatore elettronico (A FIG. 3), controlla l'accensione e lo spegnimento della ventilazione nella fase di pre-riscaldamento e di post-ventilazione del riscaldatore.

A seconda della temperatura ambiente (clima molto freddo o clima molto caldo, VEDI TAB. "CONFIGURAZIONE DEL REGOLATORE ELETTRONICO"), può rendersi necessario modificare il parametro di riferimento.

Procedura di configurazione:

- 10.1. Assicurarsi che l'interruttore di accensione sia in posizione "0" e la spina di alimentazione sia collegata alla rete elettrica.
- 10.2. Eseguire la seguente sequenza di tasti:
 - Premere il tasto "SET".
 - Visualizzare "SP2" navigando con i tasti "▼" / "▲".
 - Premere il tasto "SET" per entrare.
 - Impostare la temperatura desiderata con i tasti "▼" / "▲".
 - Premere il tasto "SET" per confermare.

NOTA: IL REGOLATORE ELETTRONICO NON HA LA FUNZIONE DI TERMOSTATO AMBIENTE.

►►► 11. PULIZIA FILTRI

►► 11.1. FILTRO DI ASPIRAZIONE, A SECONDA DEL MODELLO:

(FIG. 11)

A seconda della qualità del combustibile che viene impiegato, può rendersi necessaria la pulizia dei filtri:

- 11.1.1. Rimuovere il bicchiere (A).
- 11.1.2. Estrarre il filtro (B) dal bicchiere, facendo attenzione a conservare con cura le guarnizioni.
- 11.1.3. Pulire il filtro (B) con combustibile pulito, facendo attenzione a non danneggiarlo.
- 11.1.4. Rimontare il filtro (B) nel bicchiere.
- 11.1.5. Rimontare il bicchiere (A) facendo attenzione a rimontare correttamente le guarnizioni.

►► 11.2. FILTRO POMPA COMBUSTIBILE:
Vedere programma manutenzione preventiva.

►►► 12. CONSERVAZIONE E TRASPORTO

AVVERTENZA: PRIMA DI QUALSIASI SPOSTAMENTO SI DEVE ARRESTARE IL RISCALDATORE (VEDI PARAG. "SPEGNIMENTO DEL RISCALDATORE"), DISINSERIRE L'ALIMENTAZIONE ELETTRICA, ESTRAENDO LA SPINA DALLA PRESA ELETTRICA (FIG. 12) E ATTENDERE IL COMPLETO RAFFREDDAMENTO DEL RISCALDATORE. QUANDO SI MOVIMENTA IL RISCALDATORE MANTENERLO IN POSIZIONE LIVELLATA.

Al fine di conservare al meglio il riscaldatore, si consiglia di seguire la procedura seguente (seguire tutte le istruzioni relative alla sicurezza):

- 12.1. È possibile sollevarlo con il carrello elevatore, tramite l'utilizzo di adeguate catene e ganci di sospensione (il riscaldatore è dotato di golfari).
- 12.2. Al fine di conservare al meglio il riscaldatore, si consiglia di riporlo in un luogo asciutto e al riparo da possibili danneggiamenti.

►►► 13. COLLEGAMENTO TERMOSTATO AMBIENTE

Nei modelli con predisposizione collegamento termostato ambiente, rimuovere il tappo collegato al riscaldatore e connettere il termostato ambiente (optional) (FIG. 13-14).

►►► 14. CONSIGLI PER LA CANALIZZAZIONE

(FIG. 15)

IMPORTANTE: EVITARE DI CANALIZZARE L'ARIA IN ENTRATA E/O IN USCITA SE NON CON KIT ORIGINALI (DOVE PREVISTO).

Al fine di evitare problemi di funzionamento del riscaldatore o danni alle persone è necessario prestare attenzione alla disposizione dei tubi di canalizzazione aria. Per ridurre le resistenze del flusso d'aria, si consiglia di posizionare i tubi di canalizzazione riducendo il numero delle curve ed evitando pieghe con angoli acuti. I primi metri devono essere privi di curve.

AVVERTENZA: PRIMA DI EFFETTUARE QUALSIASI MANUTENZIONE O RIPARAZIONE, SCOLLEGARE IL CAVO DI ALIMENTAZIONE DALLA RETE ELETTRICA, ED ASSICURARSI CHE IL RISCALDATORE SIA FREDDO.

it

►►► **15. PROGRAMMA DI MANUTENZIONE PREVENTIVA**

COMPONENTE	FREQUENZA MANUTENZIONE	PROCEDURA MANUTENZIONE
Filtri	Pulire o sostituire una volta all'anno o a seconda delle necessità (verificare l'integrità)	Pulire i filtri (VEDI PARAG. "PULIZIA FILTRI")
Filtro pompa combustibile	Pulire o sostituire una volta all'anno o a seconda delle necessità (verificare l'integrità)	Rivolgersi al centro di assistenza
Elettrodi	Pulire a seconda delle necessità	Rivolgersi al centro di assistenza
Ventola	Pulire a seconda delle necessità	Rivolgersi al centro di assistenza
Camera di combustione	Pulire a seconda delle necessità	Rivolgersi al centro di assistenza

►►► **16. INDIVIDUAZIONE PROBLEMA**

PROBLEMA	POSSIBILE CAUSA	POSSIBILE SOLUZIONE
Il riscaldatore non si avvia o non rimane acceso	<ol style="list-style-type: none"> 1. Interruttore di accensione in posizione "0" 2. Mancanza alimentazione 3. Cavo di alimentazione interrotto 4. Elettronica da resettare o difettosa 5. Impostazione errata del termostato ambiente (dove presente) 6. Mancanza combustibile 7. Presenza di sostanze estranee nel circuito del combustibile 8. Temperatura impostata sul termostato digitale troppo alta 9. Elettronica in blocco 	<ol style="list-style-type: none"> 1. Portare l'interruttore di accensione in posizione "FIAMMA" (C FIG. 3) 2a. Inserire correttamente il cavo di alimentazione alla presa di rete elettrica (FIG. 5) 2b. Verificare la corretta tensione del vostro impianto 3. Rivolgersi al centro di assistenza 4a. Resettare il riscaldatore (VEDI PARAG. "RESET DEL RISCALDATORE") 4b. Rivolgersi al centro di assistenza 5. Agire sul termostato ambiente, impostandolo ad una temperatura superiore a quella dell'ambiente di lavoro (FIG. 6) 6. Rifornire combustibile ed eventualmente resettare il riscaldatore (VEDI PARAG. "RESET DEL RISCALDATORE") 7a. Svuotare e riempire il serbatoio con combustibile pulito 7b. Pulire i filtri (VEDI PARAG. "PULIZIA FILTRI") 7c. Rivolgersi al centro di assistenza 8. Abbassare la temperatura impostata del termostato digitale (VEDI PARAG. "CONFIGURAZIONE DEL REGOLATORE ELETTRONICO") 9. Resettare l'elettronica (VEDI PARAG. "RESET DEL RISCALDATORE")
Il riscaldatore produce fumo durante il funzionamento	<ol style="list-style-type: none"> 1. Presenza di sostanze estranee nel circuito del combustibile 2. Ostruzione della presa d'aria in entrata 	<ol style="list-style-type: none"> 1a. Svuotare e riempire il serbatoio con combustibile pulito 1b. Pulire i filtri (VEDI PARAG. "PULIZIA FILTRI") 1c. Rivolgersi al centro di assistenza 2. Rimuovere tutte le possibili ostruzioni della presa d'aria
Il riscaldatore non si spegne	<ol style="list-style-type: none"> 1. Temperatura impostata sul termostato digitale troppo bassa 2. Elettronica difettosa 	<ol style="list-style-type: none"> 1. Alzare la temperatura impostata del termostato digitale (VEDI PARAG. "CONFIGURAZIONE DEL REGOLATORE ELETTRONICO") 2. Rivolgersi al centro di assistenza

WICHTIGER HINWEIS: DIESE BEDIENUNGSANLEITUNG MUSS VOR ZUSAMMENBAU, INBETRIEBSETZUNG ODER WARTUNG DIESES HEIZGERÄTES GELESEN UND VERSTANDEN WORDEN SEIN. FALSCHER GEBRAUCH DES HEIZGERÄTES KANN ZU SCHWEREN VERLETZUNGEN FÜHREN, AUCH MIT TÖDLICHEM AUSGANG. BEWAHREN SIE DIESE ANLEITUNG ZUM SPÄTEREN NACHSCHLAGEN GUT AUF.

►►► 1. BESCHREIBUNG

Diese Warmlufterzeuger-Serie ist speziell für die Erwärmung von mittelgroßen bis großen Lokalen und Räumen gedacht.

Dank eines internen Wärmetauschers erlauben die indirekten Heizgeräte (ABB. 1) die Trennung der Verbrennungsgase von der warmen Luft, die in den Raum geleitet wird. Auf diese Weise wird im Raum ein sauberer Warmluftstrom erzeugt, und die Verbrennungsprodukte werden nach außen abgeleitet.

Diese Warmlufterzeuger wurden nach den modernsten Kriterien für Sicherheit, Funktionalität und Lebensdauer konzipiert. Die Sicherheitsvorrichtungen garantieren immer den einwandfreien Betrieb des Heizgeräts.

►►► 2. SICHERHEITSHINWEISE

WARNHINWEISE



WICHTIGER HINWEIS: Dieses Luftheizgerät wurde für mobile und temporäre professionelle Anwendungen entwickelt. Es wurde weder für den häuslichen Gebrauch noch für den thermischen Komfort des Menschen entwickelt.



WICHTIGER HINWEIS: Dieses Gerät ist nicht geeignet für den Gebrauch durch Personen (einschließlich Kindern) mit eingeschränkten körperlichen, sensorischen und geistigen Fähigkeiten bzw. ohne ausreichende Fachkenntnis, es sei denn, sie werden durch eine für ihre Sicherheit verantwortliche Person beaufsichtigt. Kinder sind zu beaufsichtigen, damit sie nicht mit dem Gerät spielen.



GEFAHR: Ersticken durch Kohlenmonoxid kann tödlichen Ausgang haben.

Die ersten Anzeichen einer Kohlenmonoxidvergiftung sind denen von Grippe mit Kopfschmerzen, Schwindel bzw. Übelkeit ähnlich. Diese Symptome können auf eine Betriebsstörung des Heizgeräts zurückzuführen sein. **SOLLTEN DIESE SYMPTOME AUFTRETEN, SOFORT INS FREIE GEHEN** und das Heizgerät durch den Kundendienst reparieren lassen.

►►► 2.1. NACHFÜLLEN DES BRENNSTOFFS:

- 2.1.1. Das Nachfüllen des Brennstoffs ist ausgebildetem Personal vorbehalten, das mit den Anleitungen des Herstellers und mit den geltenden Gesetzen bezüglich des sicheren Nachfüllens der Heizgeräte voll vertraut ist.
- 2.1.2. Ausschließlich die Brennstoffsorte verwenden, die auf dem am Heizgerät angebrachten Typenschild angegeben ist.
- 2.1.3. Vor dem Auffüllen das Heizgerät ausschalten und warten, bis es abgekühlt ist.
- 2.1.4. Die Brennstofflagerbehälter müssen sich in einem separaten Gebäude befinden.

- 2.1.5. Alle Brennstofftanks müssen sich gemäß geltenden Vorschriften in einem sicheren Abstand vom Heizgerät befinden.
- 2.1.6. Der Brennstoff ist in Räumen zu lagern, deren Fußböden so abgedichtet sind, dass ein Eindringen und Tropfen des Brennstoffs auf offene Flammen darunter nicht möglich ist, denn dadurch könnte es zum Entzünden des Brennstoffs kommen.
- 2.1.7. Für die Aufbewahrung des Brennstoffes sind die geltenden Normen zu befolgen.
- 2.2. SICHERHEIT:
- 2.2.1. Das Heizgerät niemals in Räumen benutzen, in denen sich Benzin, Lösungsmittel für Farben oder andere hoch entzündliche Dämpfe befinden.
- 2.2.2. Während des Betriebs des Heizgeräts sind alle örtlichen Bestimmungen und geltenden Vorschriften zu beachten.
- 2.2.3. Beim Betrieb der Geräte ist ein Sicherheitsabstand von Planen, Vorhängen oder ähnlichen Materialien einzuhalten. Es wird auch empfohlen, Abdeckungen aus nicht brennbarem Material zu verwenden.
- 2.2.4. Ausschließlich in gut belüfteten Räumen verwenden. Es ist eine nach den geltenden Vorschriften ausreichende Öffnung für die Zuführung von Frischluft von außen vorzusehen.
- 2.2.5. Die Stromversorgung des Heizgeräts muss die auf dessen Typenschild angegebene Spannung und Frequenz aufweisen.
- 2.2.6. Nur ordnungsgemäß geerdete Verlängerungskabel benutzen.
- 2.2.7. Empfohlene Mindest-Sicherheitsabstände zwischen Heizgerät und brennbaren Stoffen: Vorderseite = 2,5 m; seitlich, oben und hinten = 1,5 m.
- 2.2.8. Das Heizgerät muss, wenn es heiß oder in Betrieb ist, auf einer stabilen und ebenen Fläche stehen, um Brandgefahr zu vermeiden.
- 2.2.9. Halten Sie Haustiere in einem sicheren Abstand vom Gerät.
- 2.2.10. Trennen Sie das Heizgerät vom Stromnetz, wenn Sie es nicht benutzen.
- 2.2.11. Bei Steuerung durch einen Thermostat kann das Heizgerät in jedem beliebigen Moment eingeschaltet werden.
- 2.2.12. Benutzen Sie das Heizgerät niemals in stark frequentierten Wohnräumen und in Schlafzimmern.
- 2.2.13. Niemals die Luftzufuhr oder die Luftaustrittsöffnung des Heizgeräts verschließen.
- 2.2.14. Wenn das Heizgerät heiß oder an das Stromnetz angeschlossen oder in Betrieb ist, darf es niemals bewegt, abgeändert oder gewartet werden.
- 2.2.15. Die Kanalisierung der eintretenden und/oder austretenden Luft nur mit Original-Kit (wo vorgesehen) durchführen.
- 2.2.16. Zwischen brennbaren bzw. wärmeempfindlichen Stoffen (einschließlich des Netzkabels) und den heißen Teilen des Heizgeräts ist ein ausreichender Abstand einzuhalten.

- ▶ 2.2.17. Wenn das Netzkabel beschädigt ist, muss es durch den Kundendienst ausgetauscht werden, um Gefahren auszuschließen.
- ▶ 2.2.18. Während des Betriebs sicherstellen, dass die Brandschutzeinrichtungen einsatzbereit sind.
- ▶ 2.2.19. Für einen allfälligen Austausch des Brenners Original-Ersatzteile verwenden und die Angaben hinsichtlich des Durchsatzes, Typs der Düsen und Pumpendrucks genau beachten. Eine Leistungserhöhung des Brenners könnte das Heizgerät beschädigen.

▶▶▶ 3. AUSPACKEN

WARNUNG: DAS VERPACKUNGSMATERIAL IST KEIN SPIELZEUG FÜR KINDER. DIE PLASTIKTÜTE VON KINDERN FERNHALTEN. ERSTICKUNGSGEFAHR!

- ▶ 3.1. Alle für Verpackung und Versand des Heizgeräts verwendeten Materialien müssen entfernt werden. Gemäß den geltenden Normen entsorgen.
- ▶ 3.2. Falls das Heizgerät auf einer Palette angebracht ist, muss es behutsam abgesenkt werden, hierzu gemäß nationalen Vorschriften und geltenden Normen angemessene Vorrichtungen und Werkzeuge verwenden. Es kann mit einem Hubwagen angehoben werden, hierzu geeignete Ketten und Haken verwenden (das Heizgerät ist mit Befestigungsösen ausgestattet).
- ▶ 3.3. Kontrollieren, ob Transportschäden vorliegen. Wenn das Heizgerät beschädigt ist, sofort den Vertragshändler informieren, bei dem es erworben wurde.

▶▶▶ 4. ZUSAMMENBAU

(ABB. 2)

Diese Heizgeräte sind je nach Modell mit Griffen, Bügeln, Halterungen usw. versehen. Diese Bauteile befinden sich zusammen mit den entsprechenden Befestigungsmaterialien in der Verpackung des Heizgeräts.

▶▶▶ 5. BRENNSTOFF

WARNUNG: DAS HEIZGERÄT FUNKTIONIERT AUSSCHLIESSLICH MIT DIESEL ODER PETROLEUM.

Nur Diesel oder Petroleum verwenden, um Brand- oder Explosionsrisiken zu vermeiden. Benutzen Sie niemals Benzin, Heizöl, Lösungsmittel für Farben, Alkohol oder andere hoch entzündliche Brennstoffe.

Verwenden Sie bei sehr niedrigen Temperaturen ungiftige Frostschutzzusätze.

Bei Temperaturen unter 5°C ist Dieseldieselkraftstoff für den Winter zu verwenden.

▶▶▶ 6. FUNKTIONSGRUNDSÄTZE

Die Pumpe des Brenners saugt den Brennstoff vom Tank an und leitet ihn zur unter Druck stehenden Düse, wo er zerstäubt und mit der Brennluft in der Brennkammer gemischt wird. Der Brennvorgang wird durch einen Funken gestartet, während der Rauch vom Kamin ausgestoßen wird. Eine Reihe von Sensoren kontrolliert die korrekte Funktion des Heizgeräts und stoppt den Zyklus im Falle schwerer Störungen. Der rückseitig des Heizgeräts angebrachte Ventilator hat den Zweck, die Brennkammer und die Windungen des Rauchabzugs zu kühlen und die Wärme in den Raum zu leiten.

▶▶▶ 7. BEDIENTAFEL UND FUNKTIONEN

(ABB. 3)

- A. Elektronischer Regler.
- B. Stundenzähler.
- C. EIN/AUS-Schalter
- D. Taste zur Ventilationskontrolle.
- E. Kontrollleuchte Anliegen von Spannung.
- F. Alarmleuchte Brenner blockiert.
- G. Alarmleuchte Ventilation blockiert.
- H. Alarmleuchte für Übertemperatur.
- I. Reset Übertemperaturthermostat.
- L. Verbinder Brenner.
- M. Sicherung.
- N. Verbinder Fernraumthermostat.

▶▶▶ 8. BETRIEB

WARNUNG: VOR DER INBETRIEBNAHME DES HEIZGERÄTES SIND DIE „SICHERHEITSHINWEISE“ AUFMERKSAM DURCHZULESEN.

▶▶▶ 8.1. INBETRIEBNAHME DES HEIZGERÄTS:

- ▶ 8.1.1. Beachten Sie sämtliche Sicherheitshinweise.
- ▶ 8.1.2. Die Brennstoffrohre anschließen, dabei die korrekten Ein- und Auslaufanschlüsse beachten (ABB. 4).
- ▶ 8.1.3. Kontrollieren Sie, ob sich Brennstoff im Tank befindet.
- ▶ 8.1.4. Netzstecker an das Stromnetz anschließen (ABB. 5) (SIEHE SPANNUNG IN DER „TABELLE DER TECHNISCHEN DATEN“).
- ▶ 8.1.5. Den „EIN/AUS“-Schalter auf „FLAMME“ (C ABB. 3) stellen. Das Heizgerät sollte sich innerhalb weniger Sekunden einschalten. Wenn das Heizgerät nicht startet, lesen Sie bitte Abschnitt „FEHLERSUCHE“.
- ▶ 8.1.6. Das Heizgerät kann im Ventilationsmodus verwendet werden, um diese Funktion zu aktivieren, den „EIN/AUS“-Schalter auf die Position „GEBLÄSE“ (C ABB. 3) stellen.
- ▶ 8.1.7. Das Heizgerät verfügt über eine Taste zur Ventilationskontrolle (D ABB. 3).
 - TASTE AKTIVIERT: Die Ventilation funktioniert im Dauerbetrieb (ideal für extreme Einsatzbedingungen).
 - TASTE DEAKTIVIERT: Die Ventilation funktioniert im Automatikbetrieb (normaler Betrieb).

- ▶ 8.1.8. Für die Modelle mit Raumthermostat muss die eingestellte Temperatur überprüft werden (ABB. 6).

HINWEIS: SOLLTE DAS HEIZGERÄT AUSGEHEN, WEIL DER BRENNSTOFF AUFGEBRAUCHT IST, TANK AUFFÜLLEN UND RESET DES HEIZGERÄTES DURCHFÜHREN (SIEHE ABSCHN. „RESET DES HEIZGERÄTS“).

WICHTIGER HINWEIS: BEI INDIREKTEN MODELLEN KÖNNEN DIE VERBRENNUNGSPRODUKTE NACH AUSSEN ABGELEITET WERDEN. DIE KANALISIERUNG GEMÄSS DEN GELTENDEN VORSCHRIFTEN DURCHFÜHREN, DABEI DIE ANWEISUNGEN IM ENTSPRECHENDEN ABSCHNITT DES HANDBUCHS BEACHTEN.

▶▶▶ 8.2. ABSCHALTEN DES HEIZGERÄTS:

Den „EIN/AUS“-Schalter auf „0“ (C ABB. 3) stellen. Die Flamme erlischt und der Ventilator funktioniert weiter, bis die Brennkammer komplett abgekühlt ist. Den Stecker nicht abziehen, bis der Kühlzyklus komplettiert ist.

►►► 9. RESET DES HEIZGERÄTS

Im Falle einer Störung im normalen Betrieb, schaltet sich das Heizgerät aus.

Um das Heizgerät erneut in Betrieb zu setzen muss die Ursache der Blockierung ermittelt und behoben werden (z. B., Verstopfung der Luftzufuhr/Luftaustrittsöffnung, Stillstand des Ventilators, fehlender Brennstoff, usw.). Sollte es nicht möglich sein, die Ursache der Blockierung zu beheben, bitte den Kundendienst zu Hilfe ziehen.

Um das Heizgerät rückzustellen empfiehlt es sich, vorzugehen wie folgt (sämtliche Sicherheitsanweisungen befolgen):

► RESET ÜBERTEMPERATURTHERMOSTAT [Kontrollleuchte eingeschaltet (H ABB. 3)]: Das Heizgerät hat die maximale Betriebstemperatur erreicht. Um das Heizgerät rückzustellen, die Ursache der Blockierung beheben (ggf. an den Kundendienst wenden), die Abdeckung entfernen (ABB. 7), den Verschluss abschrauben und die Taste ganz nach unten drücken (I ABB. 3) stellen. Anschließend den Verschluss wieder anschrauben und die Abdeckung anbringen (ABB. 8) betätigen.

► RESET DES BRENNERS [Kontrollleuchte eingeschaltet (F ABB. 3) (ABB. 9)]: Am Brenner ist eine Betriebsstörung aufgetreten. Um den Brenner rückzustellen, die Ursache der Blockierung beheben (ggf. an den Kundendienst wenden), die Abdeckung entfernen (ABB. 7) und die Taste einige Sekunden lang ganz nach unten drücken (ABB. 10). Anschließend die Abdeckung erneut anbringen (ABB. 8).

► RESET DES GEBLÄSEMOTORS [Kontrollleuchte eingeschaltet (G ABB. 3)]: Der Gebläsemotor ist blockiert oder weist eine Betriebsstörung auf. Um das Heizgerät rückzustellen muss der „EIN/AUS“-Schalter in Position „0“ gebracht (C ABB. 3), die Ursache der Blockierung behoben (ggf. an den Kundendienst wenden) und das Heizgerät erneut eingeschaltet werden.

►►► 10. KONFIGURATION DES ELEKTRONISCHEN REGLERS

WICHTIGER HINWEIS: WIRD DER ELEKTRONISCHE REGLER (DER BEREITS VOM HERSTELLER EINGESTELLT WURDE) NICHT NEU EINGESTELLT, BEEINTRÄCHTIGT ER NICHT DIE KORREKTE FUNKTIONSWEISE DES HEIZGERÄTS.

Der elektronische Regler (A ABB. 3) steuert das Ein- und Abschalten der Lüftung während der Vorheizung und der Nach-Belüftung des Heizgeräts.

Je nach Raumtemperatur (sehr kaltes oder sehr warmes Klima, SIEHE TAB. „KONFIGURATION DES ELEKTRONISCHEN REGLERS“) kann es nötig sein, den Bezugsparameter zu ändern.

Konfigurationsverfahren:

► 10.1. Sicherstellen, dass der „EIN/AUS“-Schalter auf „0“ gestellt und der Versorgungsstecker am Stromnetz angeschlossen ist.

► 10.2. Folgende Tastenreihenfolge durchführen:

- Taste „SET“ drücken.
- „SP2“ mit den Tasten „▼“ / „▲“ anfahren.
- Für den Zugriff Taste „SET“ drücken.
- Die gewünschte Temperatur mit den Tasten „▼“ / „▲“ einstellen.
- Zur Bestätigung Taste „SET“ drücken.

WICHTIGER HINWEIS: DER ELEKTRONISCHE REGLER FUNKTIONIERT NICHT ALS RAUMTHERMOSTAT.

►►► 11. FILTERREINIGUNG

►► 11.1. ANSAUGFILTER, JE NACH MODELL: (ABB. 11)

Je nach Qualität des eingesetzten Brennstoffs kann eine Reinigung der Filter notwendig werden:

- 11.1.1. Den Becher (A) entfernen.
- 11.1.2. Den Filter (B) aus dem Becher entfernen und die Dichtungen sorgfältig aufbewahren.
- 11.1.3. Den Filter (B) mit sauberem Brennstoff reinigen und dabei aufpassen, dass er nicht beschädigt wird.
- 11.1.4. Den Filter (B) wieder in den Becher montieren.
- 11.1.5. Den Becher (A) wieder montieren und dabei aufpassen, dass die Dichtungen korrekt montiert werden.

►► 11.2. FILTER BRENNSTOFFPUMPE:
Siehe planmäßige Wartung.

►►► 12. UMGANG UND TRANSPORT

WARNUNG: VOR JEDLICHER BEWEGUNG MUSS DAS HEIZGERÄT ABGESCHALTET (SIEHE ABSCHN. „ABSCHALTEN DES HEIZGERÄTS“) UND DIE STROMVERSORGUNG GETRENNT WERDEN, INDEM DER STRECKER AUS DER STECKDOSE GEZOGEN WIRD (ABB. 12). WARTEN, BIS DAS HEIZGERÄT VÖLLIG ABGEKÜHLT IST. BEIM BEWEGEN MUSS DAS HEIZGERÄT IN NIVELLIRTER POSITION GEHALTEN WERDEN.

Um das Heizgerät am besten einzulagern, wird empfohlen, vorzugehen wie folgt (sämtliche Sicherheitsanweisungen befolgen):

- 12.1. Es kann mit einem Hubwagen angehoben werden, hierzu geeignete Ketten und Haken verwenden (das Heizgerät ist mit Befestigungsösen ausgestattet).
- 12.2. Um das Heizgerät am besten aufzubewahren, wird empfohlen, es an einem trockenen Ort gegen Beschädigungen geschützt zu lagern.

►►► 13. ANSCHLUSS RAUMTHERMOSTAT

Bei den Modellen, die für den Anschluss Raumthermostat vorgerüstet sind, muss der Verschluss am Heizgerät entfernt und der Raumthermostat (optional) angeschlossen werden (ABB. 13-14).

►►► 14. EMPFEHLUNGEN FÜR DIE KANALISIERUNG

(ABB. 15).

WICHTIGER HINWEIS: DIE KANALISIERUNG DER EINTRETENDEN UND/ODER AUSTRETENDEN LUFT NUR MIT ORIGINAL- KIT (WO VORGEGEHEN) DURCHFÜHREN.

Um Betriebsstörungen des Heizgeräts oder Personenschäden zu vermeiden, muss die korrekte Anordnung der Luftrohre beachtet werden. Um die Widerstände des Luftstroms zu reduzieren empfiehlt es sich, die Rohre mit so wenig Kurven wie möglich und ohne Winkel zu positionieren. Die ersten Meter dürfen keine Kurven aufweisen.

WARNUNG: VOR WARTUNGS- ODER REPARATURARBEITEN STETS DAS NETZKABEL AUS DER STECKDOSE ZIEHEN UND SICHERSTELLEN, DASS DAS HEIZGERÄT ABGEKÜHLT IST.

►►► **15. PLANMÄSSIGE WARTUNG**

BAUTEIL	WARTUNGSHÄUFIGKEIT	WARTUNGSVORGANG
Filter	Einmal pro Jahr oder bei Bedarf reinigen oder austauschen (Unversehrtheit überprüfen)	Filter reinigen (SIEHE ABSCHN. „FILTERREINIGUNG“)
Filter Brennstoffpumpe	Einmal pro Jahr oder bei Bedarf reinigen oder austauschen (Unversehrtheit überprüfen)	An den Kundendienst wenden
Elektroden	Nach Bedarf reinigen	An den Kundendienst wenden
Gebläse	Nach Bedarf reinigen	An den Kundendienst wenden
Brennkammer	Nach Bedarf reinigen	An den Kundendienst wenden

►►► **16. FEHLERSUCHE**

PROBLEM	MÖGLICHE URSACHE	MÖGLICHE LÖSUNG
Das Heizgerät startet nicht oder bleibt nicht eingeschaltet	<ol style="list-style-type: none"> 1. „EIN/AUS“-Schalter auf „0“ 2. Fehlende Stromversorgung 3. Netzkabel unterbrochen 4. Elektronik muss rückgesetzt werden oder ist defekt 5. Einstellung des Raumthermostats (wo vorhanden) fehlerhaft 6. Kein Brennstoff vorhanden 7. Fremdkörper im Brennstoffkreislauf 8. Am Digitalthermostat eingestellte Temperatur zu hoch 9. Elektronik blockiert 	<ol style="list-style-type: none"> 1. Den „EIN/AUS“-Schalter auf „FLAMME“ (C ABB. 3) stellen 2a. Netzkabel ordnungsgemäß in die Steckdose stecken (ABB. 5) 2b. Die korrekte Spannung der elektrischen Anlage überprüfen 3. An den Kundendienst wenden 4a. Heizgerät rückstellen (SIEHE ABSCHN. „RESET DES HEIZGERÄTS“) 4b. An den Kundendienst wenden 5. Raumthermostat auf eine höhere Temperatur als jene des Arbeitsbereichs einstellen (ABB. 6) 6. Brennstoff nachfüllen und ggf. das Heizgerät rücksetzen (SIEHE ABSCHN. „RESET DES HEIZGERÄTS“) 7a. Den Tank entleeren und mit sauberem Brennstoff füllen 7b. Filter reinigen (SIEHE ABSCHN. „FILTERREINIGUNG“) 7c. An den Kundendienst wenden 8. Die eingestellte Temperatur des Digitalthermostats reduzieren (SIEHE ABSCHN. „KONFIGURATION DES ELEKTRONISCHEN REGLERS“) 9. Elektronik rücksetzen (SIEHE ABSCHN. „RESET DES HEIZGERÄTS“)
Das Heizgerät raucht während des Betriebs	<ol style="list-style-type: none"> 1. Fremdkörper im Brennstoffkreislauf 2. Verstopfung der Luftzufuhr 	<ol style="list-style-type: none"> 1a. Den Tank entleeren und mit sauberem Brennstoff füllen 1b. Filter reinigen (SIEHE ABSCHN. „FILTERREINIGUNG“) 1c. An den Kundendienst wenden 2. Etwaige Verstopfungen an der Luftzufuhr beseitigen
Das Heizgerät lässt sich nicht abschalten	<ol style="list-style-type: none"> 1. Am Digitalthermostat eingestellte Temperatur zu niedrig 2. Elektronik defekt 	<ol style="list-style-type: none"> 1. Die eingestellte Temperatur des Digitalthermostats erhöhen (SIEHE ABSCHN. „KONFIGURATION DES ELEKTRONISCHEN REGLERS“) 2. An den Kundendienst wenden

IMPORTANTE: LEA Y COMPRENDA ESTE MANUAL DE OPERACIONES ANTES DE EFECTUAR EL MONTAJE, LA PUESTA EN FUNCIONAMIENTOS O EL MANTENIMIENTO DE ESTE CALEFACTOR. EL USO ERRÓNEO DEL CALEFACTOR PUEDE OCASIONAR LESIONES GRAVES O FATALES. CONSERVE ESTE MANUAL COMO MATERIAL DE REFERENCIA PARA CONSULTARLO EN EL FUTURO.

es

►►► 1. DESCRIPCIÓN

Esta serie de calefactores de aire caliente está particularmente indicada para la calefacción de locales o espacios de medianas o grandes dimensiones.

Los calefactores de calefacción indirecta (FIG. 1), gracias a un intercambiador de calor interno, permiten separar los gases de combustión de aire caliente introducidos en el ambiente. De este modo, es posible obtener una corriente de aire caliente limpio en el lugar que se debe calentar y transportar al exterior los productos de la combustión.

Estos calefactores de aire caliente han sido diseñados según los criterios de seguridad, funcionalidad y duración más modernos. Los dispositivos de seguridad garantizan siempre el correcto funcionamiento del calefactor.

►►► 2. INFORMACIONES SOBRE LA SEGURIDAD ADVERTENCIAS



IMPORTANTE: Este generador de aire caliente ha sido diseñado para aplicaciones profesionales móviles y temporales. No ha sido diseñado para uso doméstico ni para el bienestar térmico de las personas.



IMPORTANTE: Este aparato no es apto para que lo usen personas (incluidos los niños) con capacidades físicas, sensoriales y mentales reducidas, o inexpertas, a no ser que estén vigilados por una persona responsable por su seguridad. Se debe controlar a los niños para asegurarse de que no jueguen con el aparato.



PELIGRO: La asfixia por óxido de carbono puede ser mortal.

Los primeros síntomas de asfixia por óxido de carbono se asemejan a los de la gripe, con cefaleas, mareos y/o náuseas. Estos síntomas podrían ser ocasionados por el funcionamiento defectuoso del calentador. **SI SE PRESENTAN ESTOS SÍNTOMAS, SALGA INMEDIATAMENTE AL AIRE LIBRE y haga reparar el calefactor por el centro de asistencia técnica.**

►► 2.1. ABASTECIMIENTO:

- 2.1.1. El personal encargado del abastecimiento debe ser personal cualificado y estar totalmente familiarizado con las instrucciones del fabricante y con la normativa vigente en materia del abastecimiento seguro de los calentadores.
- 2.1.2. Use únicamente el tipo de combustible que se especifica expresamente en la placa de identificación del calentador.
- 2.1.3. Antes de efectuar el abastecimiento, apague el calentador y espere hasta que se enfríe.
- 2.1.4. Las cisternas de almacenamiento de carburante deben encontrarse en una estructura separada.

- 2.1.5. Todos los depósitos del combustible, se deben encontrar a una distancia mínima de seguridad del calentador, según las normas vigentes.

- 2.1.6. El combustible debe conservarse en locales cuyo suelo no permita la penetración y el goteo de dicho combustible sobre llamas subyacentes, capaces de ocasionar el encendido de estas.

- 2.1.7. La conservación del combustible debe efectuarse según la normativa vigente.

►► 2.2. SEGURIDAD:

- 2.2.1. Nunca utilice el calefactor en locales con presencia de gasolina, disolventes para pinturas u otros vapores altamente inflamables.

- 2.2.2. Durante el uso del calentador, respete todas las ordenanzas locales y la normativa vigente.

- 2.2.3. Los calentadores utilizados en las cercanías de lonas, cortinas u otros materiales similares de cobertura, deben estar situados a una distancia de seguridad de dichos materiales. Se aconseja además utilizar materiales de cobertura de tipo ignífugo.

- 2.2.4. Utilícelo únicamente en áreas bien ventiladas. Prevea una abertura adecuada según las normas vigentes, para permitir la entrada de aire fresco desde el exterior.

- 2.2.5. Alimente el calefactor únicamente con corriente con la tensión y la frecuencia especificadas en la placa de identificación.

- 2.2.6. Utilice únicamente prolongaciones adecuadamente conectadas a masa.

- 2.2.7. Las distancias de seguridad mínimas aconsejadas entre el calefactor y las sustancias inflamables son: salida frontal = 2,5 m; lateral, arriba y posterior = 1,5 m.

- 2.2.8. Coloque el calefactor caliente, o en funcionamiento, sobre una superficie estable y nivelada, para evitar riesgos de incendio.

- 2.2.9. Mantenga los animales a una distancia de seguridad del calentador.

- 2.2.10. Cuando no utilice el calefactor, desconéctelo de la toma de red.

- 2.2.11. El calentador puede encenderse en cualquier momento cuando esté controlado por un termostato.

- 2.2.12. Nunca utilice el calefactor en habitaciones frecuentemente habitadas ni en dormitorios.

- 2.2.13. No bloquee nunca la toma del aire, ni la salida del aire del calentador.

- 2.2.14. Cuando el calefactor esté caliente, conectado a la red eléctrica o en funcionamiento, nunca lo desplace, lo manipule ni lo abastezca, ni tampoco realice ninguna intervención de mantenimiento sobre este.

- 2.2.15. Evite canalizar el aire en entrada y/o en salida si no es con accesorios originales (donde esté previsto).

- 2.2.16. Mantenga a una distancia adecuada los materiales inflamables o termolábiles (incluido el cable de alimentación) de las partes calientes del calentador.

- ▶ 2.2.17. Si el cable de alimentación estuviera dañado, deberá ser sustituido por el centro de asistencia técnica para evitar cualquier tipo de riesgos.
- ▶ 2.2.18. Durante el funcionamiento, compruebe que los dispositivos antiincendio estén listo para el uso.
- ▶ 2.2.19. En caso de sustitución del quemador, utilice repuestos originales, respete escrupulosamente todo lo previsto para capacidad, tipo de las boquillas y presión de la bomba. Un aumento de la potencia del quemador podría perjudicar el calentador.

▶▶▶ 3. DESEMBALAJE

ADVERTENCIA: EL MATERIAL DEL EMBALAJE NO ES UN JUGUETE PARA LOS NIÑOS. MANTENGA LA BOLSA DE PLÁSTICO LEJOS DEL ALCANCE DE LOS NIÑOS; PELIGRO DE ASFIXIA.

- ▶ 3.1. Quite todos los materiales de embalaje usados para empaquetar y enviar el calentador. Elimínelos según las normas en vigor.
- ▶ 3.2. En caso de calentador situado en la plataforma, bájelo poco a poco usando equipos e instrumentos idóneos en base a los reglamentos del país y conformes a las normativas vigentes. Puede elevar el calefactor usando una carretilla elevadora, con cadenas y ganchos de suspensión adecuados (el calefactor lleva anillas).
- ▶ 3.3. Controle posibles daños durante el transporte. Si el calefactor estuviera dañado, informe inmediatamente al concesionario donde lo ha comprado.

▶▶▶ 4. MONTAJE

(FIG. 2)

Estos calefactores están equipados con manijas, estribos, soportes, etc., según el modelo. Estos componentes, equipados con la tornillería de montaje correspondiente, se encuentran en el embalaje del calefactor.

▶▶▶ 5. COMBUSTIBLE

ADVERTENCIA: EL CALEFACTOR FUNCIONA SOLO CON DIÉSEL O QUEROSENO.

Use únicamente diésel o queroseno, para evitar riesgos de incendio o de explosión. Nunca utilice gasolina, nafta, disolventes para pinturas, alcohol u otros combustibles altamente inflamables.

Use aditivos antihielo no tóxicos en caso de temperaturas muy bajas.

Se aconseja utilizar gasóleo invernal por debajo de los 5°C.

▶▶▶ 6. PRINCIPIOS DE FUNCIONAMIENTO

La bomba del quemador, aspira el combustible del depósito y lo envía a la boquilla a presión donde se nebuliza y se mezcla con el aire comburente en la cámara de combustión. Una chispa desencadena la combustión mientras que los humos residuales se eliminan por la chimenea. Una serie de sensores comprueban constantemente que el calentador funcione correctamente, parando el ciclo en caso de anomalías. El ventilador, colocado en la parte posterior del calentador, tiene como finalidad enfriar la cámara de combustión y el canal de humos, transfiriendo el calor de éstos últimos al ambiente.

▶▶▶ 7. PANEL DE CONTROL

(FIG. 3)

- A. Regulador electrónico.
- B. Contador de horas.
- C. Interruptor de encendido.
- D. Pulsador para el control de la ventilación.
- E. Indicador de presencia de tensión eléctrica.
- F. Indicador de alarma bloqueo del quemador.
- G. Indicador de alarma bloqueo de la ventilación.
- H. Indicador de alarma exceso de temperatura.
- I. Reset del termostato de exceso de temperatura.
- L. Conector del quemador.
- M. Fusible.
- N. Conector del termostato ambiente remoto.

▶▶▶ 8. FUNCIONAMIENTO

ADVERTENCIA: LEA ATENTAMENTE LA "INFORMACIÓN DE SEGURIDAD" ANTES DE ENCENDER EL CALENTADOR.

▶▶▶ 8.1. ENCENDIDO DEL CALENTADOR:

- ▶ 8.1.1. Siga todas las instrucciones relativas a la seguridad.
- ▶ 8.1.2. Conecte los tubos del combustible siguiendo las conexiones correctas de entrada y de salida (FIG. 4).
- ▶ 8.1.3. Controle la presencia de combustible en el depósito.
- ▶ 8.1.4. Conecte la clavija de alimentación a la red eléctrica (FIG. 5) (VÉASE LA TENSIÓN EN LA "TABLA DE DATOS TÉCNICOS").
- ▶ 8.1.5. Coloque el interruptor de encendido en posición "LLAMA" (A FIG. 3). El calefactor debería encenderse pocos segundos después. Si el calefactor no se pone en marcha consulte el apartado, "LOCALIZACIÓN DEL PROBLEMA".
- ▶ 8.1.6. El calefactor puede usarse en modo ventilador, para activar esta función coloque el interruptor de encendido en la posición "VENTILADOR" (C FIG. 3).
- ▶ 8.1.7. El calefactor dispone de un pulsador que permite controlar la ventilación (D FIG. 3).
 - PULSADOR ACTIVO: La ventilación funciona de forma continua (ideal para condiciones de uso extremas).
 - PULSADOR DESACTIVADO: La ventilación funciona de forma automática (funcionamiento normal).
- ▶ 8.1.8. Para los modelos con termostato ambiente, verifique la temperatura configurada (FIG. 6).

NOTA: EN EL CASO DE APAGADO DEL CALEFACTOR DEBIDO AL AGOTAMIENTO DEL COMBUSTIBLE, ABASTEZCA EL DEPÓSITO Y RESTABLEZCA EL CALEFACTOR (VÉASE EL APARTADO "RESTABLECIMIENTO DEL CALEFACTOR").

IMPORTANTE: EN LOS MODELOS INDIRECTOS, LOS PRODUCTOS DE LA COMBUSTIÓN PUEDEN SER CANALIZADOS AL EXTERIOR. REALICE LA CANALIZACIÓN SEGÚN LA NORMATIVA VIGENTE Y RESPETE LAS INDICACIONES INCLUIDAS EN LA CORRESPONDIENTE SECCIÓN DEL MANUAL.

▶▶▶ 8.2. APAGADO DEL CALENTADOR:

Coloque el interruptor de encendido en posición "0" (C FIG. 3). La llama se apaga y el ventilador sigue funcionando hasta que se enfría completamente la cámara de combustión. No desconecte la toma eléctrica antes de que se complete el ciclo de enfriamiento.

►►► 9. RESTABLECIMIENTO DEL CALEFACTOR

Si se verifican anomalías en el funcionamiento normal, el calefactor se apague.

Para volver a poner en funcionamiento en calefactor, se debe detectar y eliminar la causa que ha provocado el bloqueo (por ejemplo, obstrucción de la toma de aire en entrada y/o salida de descarga de aire, parada del ventilador, falta de combustible, etc.). Si no fuera posible eliminar el problema que ha ocasionado el bloqueo, haga que intervenga el centro de asistencia técnica.

Para poder reiniciar el calefactor, se recomienda seguir el procedimiento siguiente (siga todas las instrucciones relativas a la seguridad):

- RESET TERMOSTATO DE EXCESO DE TEMPERATURA [Indicador encendido (H FIG. 3)]: El calentador ha alcanzado la temperatura máxima de funcionamiento. Para resetear el calefactor, elimine la cauda que ha provocado el bloqueo (si es necesario consulte con el centro de asistencia), quite la cobertura (FIG. 7), desenroscar el tapón y empujar hasta el fondo el pulsador (I FIG. 3). A continuación vuelva a enroscar el tapón y coloque de nuevo la cobertura (FIG. 8).
- RESET DEL QUEMADOR [Indicador encendido (F FIG. 3) (FIG. 9)]: El quemador ha tenido una anomalía durante el funcionamiento. Para resetear el quemador, elimine la cauda que ha provocado el bloqueo (si es necesario consulte con el centro de asistencia), quite la cobertura (FIG. 7) y presione hasta el fondo durante unos segundos el botón (FIG. 10). A continuación coloque de nuevo la cobertura (FIG. 8).
- RESET DEL MOTOR DE LA VENTILACIÓN [Indicador encendido (G FIG. 3)]: El motor de la ventilación está bloqueado o funciona de forma anómala. Para resetear el calentador, coloque el interruptor de encendido en posición "0" (C FIG. 3), elimine la cauda que ha provocado el bloqueo (si es necesario consulte con el centro de asistencia) y vuelva a encender el calentador.

►►► 10. CONFIGURACIÓN DEL REGULADOR ELECTRÓNICO

IMPORTANTE: EL REGULADOR ELECTRÓNICO (YA CONFIGURADO DE FÁBRICA), A NO SER QUE SE programe de nuevo, NO PERJUDICA EL FUNCIONAMIENTO CORRECTO DEL CALENTADOR.

El regulador electrónico (A FIG. 3), controla el encendido y el apagado de la ventilación en la fase de pre-calentamiento y de post-ventilación del calentador.

En base a la temperatura ambiente (clima muy frío o clima muy cálido, VÉASE TAB. "CONFIGURACIÓN DEL REGULADOR ELECTRÓNICO") puede ser necesario modificar el parámetro de referencia.

Procedimiento de configuración:

- 10.1. Asegúrese de que el interruptor de encendido esté en la posición "0" y de que la toma de alimentación esté conectada a la red eléctrica.
- 10.2. Siga la siguiente secuencia de teclas:
 - Pulse la tecla "SET".
 - Visualice "SP2" navegando con las teclas "▼" / "▲".
 - Pulse la tecla "SET" para entrar.
 - Configure la temperatura que desea usando las teclas "▼" / "▲".
 - Pulse la tecla "SET" para confirmar.

IMPORTANTE: EL REGULADOR ELECTRÓNICO NO TIENE LA FUNCIÓN DE TERMOSTATO AMBIENTE.

►►► 11. LIMPIEZA DE LOS FILTROS

►► 11.1. FILTRO DE ASPIRACIÓN, SEGÚN EL MODELO:

(FIG. 11)

EN BASE A LA CALIDAD DEL COMBUSTIBLE QUE SE UTILIZA, PUEDE SER NECESARIO REALIZAR LA LIMPIEZA DE LOS FILTROS:

- 11.1.1. Quite el vaso (A).
- 11.1.2. Saque el filtro (B) del vaso, procurando conservar con cuidado las juntas.
- 11.1.3. Limpie el filtro (B) con combustible limpio, procurando no dañarlo.
- 11.1.4. Vuelva a montar el filtro (B) en el vaso.
- 11.1.5. Vuelva a montar el vaso (A) procurando montar correctamente las juntas.

►► 11.2. FILTRO DE LA BOMBA DE COMBUSTIBLE:
Véase el programa de mantenimiento preventivo.

►►► 12. CONSERVACIÓN Y TRANSPORTE

ADVERTENCIA: ANTES DE REALIZAR CUALQUIER DESPLAZAMIENTO, SE DEBE PARA EL CALEFACTOR (VÉASE APARTADO "APAGADO DEL CALENTADOR"), SE DEBE DESCONECTAR LA ALIMENTACIÓN ELÉCTRICA, SACANDO EL ENCHUFE DE LA TOMA ELÉCTRICA (FIG. 12) Y ESPERAR A QUE EL CALENTADOR SE ENFRÍE POR COMPLETO. CUANDO SE DESPLACE EL CALEFACTOR, MANTÉNGALO EN UN POSICIÓN NIVELADA.

Para poder conservar el calefactor lo mejor posible, se recomienda seguir el procedimiento siguiente (siga todas las instrucciones relativas a la seguridad):

- 12.1. Puede elevar el calefactor usando una carretilla elevadora, con cadenas y ganchos de suspensión adecuados (el calefactor lleva anillas).
- 12.2. Para conservar lo mejor posible el calentador, se aconseja colocarlo en un lugar seco y protegido de posibles daños.

►►► 13. CONEXIÓN TERMOSTATO AMBIENTE

En los modelos predispuestos con conexión para termostato ambiente, retire el tapón conectado al calefactor y conecte el termostato ambiente (opcional) (FIG. 13-14).

►►► 14. CONSEJOS PARA LA CANALIZACIÓN

(FIG. 15)

IMPORTANTE: EVITE CANALIZAR EL AIRE EN ENTRADA Y/O EN SALIDA SI NO ES CON ACCESORIOS ORIGINALES (DONDE ESTÉ PREVISTO).

Para evitar problemas de funcionamiento del calefactor o daños a las personas, es necesario prestar atención a la colocación de los tubos de canalización del aire. Para reducir la resistencias del flujo de aire se recomienda colocar los tubos de canalización con la menor cantidad de curvas posible y evitar plegarlas o realizar ángulos agudos. Los primeros metros no deben tener curvas.

ADVERTENCIA: ANTES DE EFECTUAR CUALQUIER TIPO DE MANTENIMIENTO O REPARACIÓN, DESCONECTE EL CABLE DE ALIMENTACIÓN DE LA RED ELÉCTRICA Y COMPRUEBE QUE EL CALEFACTOR ESTÉ FRÍO.

►►► 15. PROGRAMA DE MANTENIMIENTO PREVENTIVO

COMPONENTE	FRECUENCIA MANTENIMIENTO	PROCEDIMIENTO MANTENIMIENTO
Filtros	Limpie o sustituya una vez al año o según sea necesario (verifique la integridad)	Limpie los filtros (VÉASE EL APARTADO "LIMPIEZA DE LOS FILTROS")
Filtro de la bomba de combustible	Limpie o sustituya una vez al año o según sea necesario (verifique la integridad)	Diríjase al centro de asistencia
Electrodos	Limpie según sea necesario	Diríjase al centro de asistencia
Ventilador	Limpie según sea necesario	Diríjase al centro de asistencia
Cámara de combustión	Limpie según sea necesario	Diríjase al centro de asistencia

es

►►► 16. LOCALIZACIÓN DEL PROBLEMA

PROBLEMA	POSIBLE CAUSA	POSIBLE SOLUCIÓN
El calentador no se pone en marcha o no se queda encendido	<ol style="list-style-type: none"> 1. Interruptor de encendido en posición "0" 2. Falta alimentación 3. Cable de alimentación interrumpido 4. Electrónica por restablecer o defectuosa 5. Configuración errónea del termostato ambiente (donde lo haya) 6. Falta combustible 7. Presencia de sustancias ajenas en el circuito del combustible 8. Temperatura configurada en el termostato digital demasiado alta 9. Electrónica en bloqueo 	<ol style="list-style-type: none"> 1. Coloque el interruptor de encendido en posición "LLAMA" (C FIG. 3) 2a. Introduzca correctamente el cable de alimentación en la toma de la red eléctrica (FIG. 5) 2b. Verifique la correcta tensión de su instalación 3. Diríjase al centro de asistencia 4a. Restablezca el calefactor (VÉASE EL APARTADO "RESET DEL CALENTADOR") 4b. Diríjase al centro de asistencia 5. Regule el termostato ambiente, configurándolo a una temperatura superior a la del ambiente de trabajo (FIG. 6) 6. Abastezca de combustible y eventualmente restablezca el calentador (VÉASE EL APARTADO "RESET DEL CALENTADOR") 7a. Vacíe y llene el depósito con combustible limpio 7b. Limpie los filtros (VÉASE EL APARTADO "LIMPIEZA DE LOS FILTROS") 7c. Diríjase al centro de asistencia 8. Baje la temperatura configurada del termostato digital (VÉASE EL APARTADO "CONFIGURACIÓN DEL REGULADOR ELECTRÓNICO") 9. Restablezca el calefactor (VÉASE EL APARTADO "RESET DEL CALENTADOR")
El calentador produce humo durante el funcionamiento	<ol style="list-style-type: none"> 1. Presencia de sustancias ajenas en el circuito del combustible 2. Obstrucción de la toma de aire en entrada 	<ol style="list-style-type: none"> 1a. Vacíe y llene el depósito con combustible limpio 1b. Limpie los filtros (VÉASE EL APARTADO "LIMPIEZA DE LOS FILTROS") 1c. Diríjase al centro de asistencia 2. Quite todas las posibles obstrucciones de la toma de aire
El calentador no se apaga	<ol style="list-style-type: none"> 1. Temperatura configurada en el termostato digital demasiado baja 2. Electrónica defectuosa 	<ol style="list-style-type: none"> 1. Suba la temperatura configurada del termostato digital (VÉASE EL APARTADO "CONFIGURACIÓN DEL REGULADOR ELECTRÓNICO") 2. Diríjase al centro de asistencia

IMPORTANT : VEUILLEZ LIRE ET COMPRENDRE CE MANUEL D'UTILISATION AVANT DE PROCÉDER À L'ASSEMBLAGE, À LA MISE EN SERVICE OU À L'ENTRETIEN DE CET APPAREIL DE CHAUFFAGE. L'UTILISATION INCORRECTE DU RÉCHAUFFEUR PEUT CAUSER DES LÉSIONS GRAVES OU FATALES. CONSERVER CE MANUEL POUR TOUTE CONSULTATION FUTURE.

fr

►►► 1. DESCRIPTION

Cette série de réchauffeurs d'air chaud est particulièrement indiquée pour le chauffage de pièces ou d'espaces de moyennes ou grandes dimensions.

Les réchauffeurs à chauffage indirect (FIG. 1) grâce à un échangeur de chaleur interne, permettent de séparer les gaz de combustion de l'air chaud introduit dans l'environnement. Ainsi, il est possible d'avoir un courant d'air chaud propre au sein du lieu à chauffer et de convoyer à l'extérieur les produits de la combustion.

Ces réchauffeurs d'air chaud ont été conçus selon des critères modernes de sécurité, fonctionnalité et durée. Les dispositifs de sécurité garantissent toujours le bon fonctionnement du réchauffeur.

►►► 2. INFORMATIONS SUR LA SÉCURITÉ

AVERTISSEMENTS



IMPORTANT : Cet réchauffeur d'air a été conçu pour des applications professionnelles mobiles et temporaires. Il n'a pas été conçu pour un usage domestique ni pour le confort thermique humain.



IMPORTANT : Cet appareil n'est pas adapté pour être utilisé par des personnes (y compris les enfants) ayant des capacités physiques, sensorielles et mentales réduites ou par des personnes inexpérimentées, à moins qu'elles ne soient surveillées par une personne responsable de leur sécurité. Les enfants doivent être surveillés, afin de s'assurer qu'ils ne jouent pas avec l'appareil.



DANGER : L'asphyxie par le monoxyde de carbone peut être fatale.

Les premiers symptômes de l'asphyxie par le monoxyde de carbone ressemblent à ceux de la grippe, avec des maux de tête, des vertiges et/ou des nausées. Ces symptômes pourraient être causés par un fonctionnement défectueux de l'appareil de chauffage. **AU CAS OU CES SYMPTÔMES SE MANIFESTERAIENT, SORTIR IMMÉDIATEMENT À L'EXTÉRIEUR** et faire réparer le réchauffeur par un centre d'assistance technique.

►► 2.1. RAVITAILLEMENT :

- 2.1.1. Le personnel préposé au ravitaillement doit être qualifié et avoir une parfaite connaissance des instructions du fabricant et de la réglementation en vigueur relative au ravitaillement des réchauffeurs en toute sécurité.
- 2.1.2. Utiliser uniquement le type de carburant expressément spécifié sur la plaque signalétique du réchauffeur.
- 2.1.3. Avant d'effectuer le ravitaillement, éteindre le réchauffeur et attendre qu'il refroidisse.
- 2.1.4. Les citernes de stockage du carburant doivent se trouver dans une structure séparée.

- 2.1.5. Tous les réservoirs de combustible doivent se trouver à une distance de sécurité minimale du réchauffeur, conformément aux normes en vigueur.
- 2.1.6. Le combustible doit être conservé dans des lieux dont le sol ne permet pas la pénétration et l'égouttement de celui-ci sur des flammes sous-jacentes qu'il pourrait attiser.
- 2.1.7. La conservation du combustible doit être effectuée conformément à la réglementation en vigueur.
- 2.2. SÉCURITÉ :
- 2.2.1. Ne jamais utiliser le réchauffeur dans des locaux contenant de l'essence, des décapants pour peintures ou d'autres vapeurs hautement inflammables.
- 2.2.2. Pendant l'utilisation du réchauffeur, respecter tous les arrêtés locaux et la réglementation en vigueur.
- 2.2.3. Les réchauffeurs utilisés à proximité de bâches, de rideaux ou d'autres matériaux de couverture similaires doivent être séparés de ceux-ci par une distance de sécurité. Il est également conseillé d'utiliser des matériaux de couverture de type ignifuges.
- 2.2.4. Utiliser uniquement dans des zones bien ventilées. Prévoir une ouverture appropriée conformément aux normes en vigueur, afin de permettre l'introduction d'air frais provenant de l'extérieur.
- 2.2.5. Alimenter le réchauffeur seulement avec du courant ayant une tension et une fréquence spécifiées sur la plaque d'identification.
- 2.2.6. Utiliser seulement des rallonges branchées correctement à la masse.
- 2.2.7. Les distances minimales de sécurité conseillées, qui séparent le réchauffeur et les substances inflammables sont les suivantes : sortie avant = 2,5 m ; de côté, en haut et à l'arrière = 1,5 m.
- 2.2.8. ► Placer le réchauffeur chaud, ou en marche, sur une surface stable et nivelée, de manière à éviter les risques d'incendie.
- 2.2.9. Garder les animaux à une distance de sécurité du réchauffeur.
- 2.2.10. Débrancher le réchauffeur de la prise de courant lorsqu'il n'est pas utilisé.
- 2.2.11. Lorsqu'il est contrôlé par un thermostat, le réchauffeur peut s'allumer à tout moment.
- 2.2.12. Ne jamais utiliser le réchauffeur dans des pièces souvent habitées ni dans des chambres à coucher.
- 2.2.13. Ne jamais obstruer la prise d'air, ni la sortie d'air du réchauffeur.
- 2.2.14. Quand le réchauffeur est chaud, ou branché au réseau électrique, ou en marche, ne jamais le déplacer, le manipuler, le ravitailler ou le soumettre à quelque intervention de maintenance que ce soit.
- 2.2.15. Éviter de canaliser l'air à l'entrée et/ou à la sortie si ce n'est avec des kits d'origine (où prévu).

- ▶ **2.2.16. Maintenir les parties chaudes du réchauffeur à une distance appropriée des matériaux inflammables ou thermolabiles (y compris le câble d'alimentation).**
- ▶ **2.2.17. Si le câble d'alimentation est endommagé, il doit être remplacé par le centre d'assistance technique, afin d'éviter tout risque.**
- ▶ **2.2.18. Pendant le fonctionnement, assurez-vous que les dispositifs de sécurité soient prêts à l'emploi.**
- ▶ **2.2.19. En cas de remplacement du brûleur, utiliser des pièces de rechange d'origine, respecter scrupuleusement les indications de portée, de type de buses et de pression de la pompe. Une augmentation de la puissance du brûleur pourrait endommager le réchauffeur.**

▶▶▶ **3. DÉBALLAGE**

AVERTISSEMENT : LE MATÉRIEL DE L'EMBALLAGE N'EST PAS UN JOUET POUR LES ENFANTS. CONSERVER LE SACHET EN PLASTIQUE HORS DE PORTÉE DES ENFANTS ; RISQUE D'ÉTOUFFEMENT !

- ▶ **3.1. Retirer tous les matériaux d'emballage utilisés pour conditionner et envoyer le réchauffeur. Les éliminer selon les normes en vigueur.**
- ▶ **3.2. Si le réchauffeur était posé sur la plateforme, le faire descendre délicatement en utilisant des dispositifs et des instruments appropriés, conformément à la réglementation nationale et aux normes en vigueur. Il est possible de le soulever avec le chariot élévateur, en utilisant des chaînes et crochets de suspension adaptés (le réchauffeur est doté d'anneaux).**
- ▶ **3.3. Contrôler les dégâts éventuellement subis pendant le transport. Si le réchauffeur est endommagé, informer immédiatement le concessionnaire auprès duquel il a été acheté.**

▶▶▶ **4. ASSEMBLAGE**

(FIG. 2)

Ces réchauffeurs sont équipés de poignées, d'étriers, de supports, etc. selon le modèle. Ces composants, équipés de la boulonnerie correspondante pour le montage, sont situés dans la boîte du réchauffeur.

▶▶▶ **5. COMBUSTIBLE**

AVERTISSEMENT : LE RÉCHAUFFEUR FONCTIONNE UNIQUEMENT AVEC DU DIESEL OU DU KÉROSÈNE.

Utiliser uniquement du diesel ou du kérosène, afin d'éviter tout risque d'incendie ou d'explosion. Ne jamais utiliser de l'essence, du mazout, des décapants pour peintures, de l'alcool ou d'autres combustibles hautement inflammables. En cas de très basses températures, utiliser des additifs antigels non toxiques.

Nous conseillons d'utiliser du gasoil hivernal en-dessous des 5°C.

▶▶▶ **6. PRINCIPES DE FONCTIONNEMENT**

La pompe du brûleur aspire le combustible depuis le réservoir et l'envoie à la buse sous pression où il est nébulisé et mélangé à l'air comburant dans la chambre de combustion. Une étincelle amorce la combustion tandis que les fumées de rebut sont expulsées de la cheminée. Une série de capteurs vérifie constamment le fonctionnement correct du réchauffeur et interrompt le cycle en cas d'anomalie. Le ventilateur, placé à l'arrière du réchauffeur, sert à refroidir la chambre de combustion et le

circuit d'évacuation des fumées, en transférant la chaleur de ces derniers au milieu environnant.

▶▶▶ **7. PANNEAU DE CONTRÔLE**

(FIG. 3)

- A. Régulateur électronique.
- B. Compteur d'heures.
- C. Interrupteur d'allumage.
- D. Bouton de contrôle de la ventilation.
- E. Voyant de présence de tension électrique.
- F. Voyant d'alarme de blocage du brûleur.
- G. Voyant d'alarme de blocage de la ventilation.
- H. Voyant d'alarme de surchauffe.
- I. Réinitialisation du thermostat de surchauffe.
- L. Connecteur du brûleur.
- M. Fusible.
- N. Connecteur du thermostat d'ambiance à distance.

▶▶▶ **8. FONCTIONNEMENT**

AVERTISSEMENT : LIRE ATTENTIVEMENT LES « INFORMATIONS SUR LA SÉCURITÉ » AVANT D'ALLUMER LE RÉCHAUFFEUR.

▶▶▶ **8.1. ALLUMAGE DU RÉCHAUFFEUR:**

- ▶ **8.1.1. Suivre toutes les instructions relatives à la sécurité.**
- ▶ **8.1.2. Relier les tuyaux du combustible en respectant les bonnes connexions d'entrée et de sortie (FIG. 4).**
- ▶ **8.1.3. Contrôler la présence de combustible dans le réservoir.**
- ▶ **8.1.4. Brancher la fiche d'alimentation au réseau électrique (FIG. 5) (VOIR TENSION DANS LE « TABLEAU DES DONNÉES TECHNIQUES »).**
- ▶ **8.1.5. Placer l'interrupteur d'allumage en position « FLAMME » (C FIG. 3). Le réchauffeur devrait s'allumer après quelques secondes. Si le réchauffeur ne démarre pas, consulter le paragraphe « IDENTIFICATION DU PROBLÈME ».**
- ▶ **8.1.6. Le réchauffeur peut être utilisé en mode ventilation, pour activer cette fonction, positionner l'interrupteur d'allumage sur « VENTILATEUR » (C FIG. 3).**
- ▶ **8.1.7. Le réchauffeur dispose d'un bouton qui permet de contrôler la ventilation (D FIG. 3).**
 - BOUTON ACTIVÉ** : La ventilation fonctionne en continu (idéal pour des conditions d'utilisation extrêmes).
 - BOUTON DÉSACTIVÉ** : La ventilation fonctionne en automatique (fonctionnement normal).
- ▶ **8.1.8. Pour les modèles avec thermostat d'ambiance, vérifier la température configurée (FIG. 6).**

REMARQUE : EN CAS D'ARRÊT DU RÉCHAUFFEUR DÛ À L'ÉPUISEMENT DU COMBUSTIBLE, REMPLIR LE RÉSERVOIR ET RÉINITIALISER LE RÉCHAUFFEUR (VOIR PARAGR. « RÉINITIALISATION DU RÉCHAUFFEUR »).

IMPORTANT : DANS LES MODÈLES INDIRECTS, LES PRODUITS DE LA COMBUSTION PEUVENT ÊTRE CANALISÉS À L'EXTÉRIEUR. EFFECTUER LA CANALISATION SELON LA RÉGLEMENTATION EN VIGUEUR ET RESPECTER LES INDICATIONS REPORTÉES DANS LA SECTION SPÉCIALE DU MANUEL.

▶▶▶ **8.2. EXTINCTION DU RÉCHAUFFEUR:**

Placer l'interrupteur d'allumage en position « 0 » (C FIG. 3). La flamme s'éteint et le ventilateur continue à fonctionner jusqu'au refroidissement complet de la chambre de combustion. Ne pas débrancher la prise électrique jusqu'à ce que le cycle de refroidissement soit terminé.

►►► 9. RÉINITIALISATION DU RÉCHAUFFEUR

Si une anomalie survient lors du fonctionnement normal, le réchauffeur s'éteint.

Pour remettre en marche le réchauffeur, il faut identifier et supprimer la cause qui a causé le blocage (par exemple, obstruction de la prise d'air en entrée et/ou de refoulement de l'air, arrêt du ventilateur, manque combustible, etc.). S'il n'est pas possible de supprimer le problème qui a provoqué le blocage, faire intervenir le centre d'assistance technique. Afin de réinitialiser le réchauffeur, on conseille de suivre la procédure suivante (suivre toutes les instructions relatives à la sécurité) :

- RÉINITIALISATION THERMOSTAT DE SURCHAUFFE [Voyant allumé (H FIG. 3)] : Le réchauffeur a atteint la température maximum de fonctionnement. Pour réinitialiser le réchauffeur, éliminer la cause qui a provoqué le blocage (dans ce cas, s'adresser au centre d'assistance), ôter la couverture (FIG. 7), dévisser le bouchon et presser à fond le bouton (I FIG. 3). Ensuite, revisser le bouchon et rétablir la couverture (FIG. 8).
- RÉINITIALISATION DU BRÛLEUR [Voyant allumé (F FIG. 3) (FIG. 9)] : Le brûleur a eu une anomalie dans le fonctionnement. Pour réinitialiser le brûleur, éliminer la cause qui a provoqué le blocage (dans ce cas, s'adresser au centre d'assistance), ôter la couverture (FIG. 7) et presser à fond pendant quelques secondes le bouton (FIG. 10). Ensuite, rétablir la couverture (FIG. 8).
- RÉINITIALISATION DU MOTEUR DE LA VENTILATION [Voyant allumé (G FIG. 3)] : Le moteur de la ventilation est bloqué ou fonctionne de manière anormale. Pour réinitialiser le réchauffeur, placer l'interrupteur d'allumage en position « 0 » (C FIG. 3), éliminer la cause qui a provoqué le blocage (dans ce cas, s'adresser au centre d'assistance) et rallumer le réchauffeur.

►►► 10. CONFIGURATION DU RÉGULATEUR ÉLECTRONIQUE

IMPORTANT : LE RÉGULATEUR ÉLECTRONIQUE (DÉJÀ RÉGLÉ PAR LE FABRICANT), S'IL N'EST PAS RECONFIGURÉ, NE COMPROMET PAS LE BON FONCTIONNEMENT DE RÉCHAUFFEUR.

Le régulateur électronique (A FIG. 3), contrôle l'allumage et l'extinction de la ventilation dans la phase de préchauffage et de post-ventilation du réchauffeur.

Selon la température ambiante (climat très froid ou climat très chaud, VOIR TAB. « CONFIGURATION DU RÉGULATEUR ÉLECTRONIQUE »), il peut être nécessaire de modifier le paramètre de référence.

Procédure de configuration :

- 10.1. S'assurer que l'interrupteur d'allumage soit en position « 0 » et que la fiche d'alimentation soit reliée au réseau électrique.
- 10.2. Exécuter la séquence de touches suivante :
 - Presser la touche « SET ».
 - Visualiser « SP2 » en naviguant avec les touches « ▼ »/« ▲ ».
 - Presser la touche « SET » pour entrer.
 - Configurer la température désirée avec les touches « ▼ »/« ▲ ».
 - Presser la touche « SET » pour confirmer.

IMPORTANT : LE RÉGULATEUR ÉLECTRONIQUE N'A PAS LA FONCTION DE THERMOSTAT D'AMBIANCE.

►►► 11. NETTOYAGE DES FILTRES

►► 11.1. FILTRE D'ASPIRATION, SELON LE MODÈLE : (FIG. 11)

Selon la qualité du combustible employé, le nettoyage des filtres peut être nécessaire :

- 11.1.1. Retirer le verre (A).
- 11.1.2. Extraire le filtre (B) du verre, en faisant attention à conserver avec soin les joints.
- 11.1.3. Nettoyer le filtre (B) avec un combustible propre, en faisant attention à ne pas l'endommager.
- 11.1.4. Remonter le filtre (B) dans le verre.
- 11.1.5. Remonter le verre (A) en faisant attention à remonter correctement les joints.

►► 11.2. FILTRE POMPE COMBUSTIBLE :

Voir le programme de maintenance préventive.

►►► 12. CONSERVATION ET TRANSPORT

AVERTISSEMENT : AVANT TOUT DÉPLACEMENT, IL FAUT ARRÊTER LE RÉCHAUFFEUR (VOIR PARAG. « EXTINCTION DU RÉCHAUFFEUR »), DÉCONNECTER L'ALIMENTATION ÉLECTRIQUE, EN EXTRAYANT LA FICHE DE LA PRISE ÉLECTRIQUE (FIG. 12) ET ATTENDRE LE COMPLET REFROIDISSEMENT DU RÉCHAUFFEUR. LORSQU'ON MANUTENTIONNE LE RÉCHAUFFEUR, IL FAUT LE MAINTENIR EN POSITION NIVELÉE.

Afin de conserver au mieux le réchauffeur, on conseille de suivre la procédure suivante (suivre toutes les instructions relatives à la sécurité) :

- 12.1. Il est possible de le soulever avec le chariot élévateur, en utilisant des chaînes et crochets de suspension adaptés (le réchauffeur est doté d'anneaux).
- 12.2. Afin de conserver le réchauffeur de manière optimale, il est conseillé de le placer dans un endroit sec et à l'abri des dommages possibles.

►►► 13. BRANCHEMENT DU THERMOSTAT AMBIANT

Dans les modèles qui prévoient le branchement d'un thermostat, retirer le bouchon raccordé au réchauffeur et connecter le thermostat ambiant (option) (FIG. 13-14).

►►► 14. CONSEILS POUR LA CANALISATION (FIG. 15)

IMPORTANT : ÉVITER DE CANALISER L'AIR À L'ENTRÉE ET/OU À LA SORTIE SI CE N'EST AVEC DES KITS D'ORIGINE (SI PRÉVU).

Afin d'éviter des problèmes de fonctionnement du réchauffeur ou dommages aux personnes, il est nécessaire de faire attention à la disposition des tuyaux de canalisation de l'air. Pour réduire les résistances du flux d'air, on conseille de positionner les tuyaux de canalisation en réduisant le nombre des coudes et en évitant des plis avec des angles aigus. Les premiers mètres doivent être dépourvus de coudes.

AVERTISSEMENT : AVANT D'EFFECTUER TOUTE OPÉRATION DE MAINTENANCE OU DE RÉPARATION, DÉBRANCHER LE CÂBLE D'ALIMENTATION DU RÉSEAU ÉLECTRIQUE ET S'ASSURER QUE LE RÉCHAUFFEUR SOIT FROID.

► ► ► 15. PROGRAMME DE MAINTENANCE PRÉVENTIVE

COMPOSANT	FRÉQUENCE DE MAINTENANCE	PROCÉDURE DE MAINTENANCE
Filtres	Nettoyer ou remplacer une fois par an ou en cas de besoin (vérifier l'intégrité)	Nettoyer les filtres (VOIR PARAG. « NETTOYAGE DES FILTRES »)
Filtre pompe combustible	Nettoyer ou remplacer une fois par an ou en cas de besoin (vérifier l'intégrité)	Contacteur le centre d'assistance
Électrodes	Nettoyer en cas de besoin	Contacteur le centre d'assistance
Ventilateur	Nettoyer en cas de besoin	Contacteur le centre d'assistance
Chambre de combustion	Nettoyer en cas de besoin	Contacteur le centre d'assistance

fr

► ► ► 16. IDENTIFICATION DU PROBLÈME

PROBLÈME	CAUSE POSSIBLE	SOLUTION POSSIBLE
Le réchauffeur ne s'allume pas ou ne reste pas allumé	<ol style="list-style-type: none"> 1. Interrupteur d'allumage en position « 0 » 2. Absence d'alimentation 3. Câble d'alimentation coupé 4. Électronique à réinitialiser ou défectueuse 5. Programmation incorrecte du thermostat ambiant (si présent) 6. Absence de combustible 7. Présence de substances étrangères dans le circuit du combustible 8. Température configurée sur le thermostat digital trop haute 9. Électronique bloquée 	<ol style="list-style-type: none"> 1. Placer l'interrupteur d'allumage en position « FLAMME » (C FIG. 3) 2a. Brancher correctement le câble d'alimentation à la prise du réseau électrique (FIG. 5) 2b. Vérifier la bonne tension de votre installation 3. Contacter le centre d'assistance 4a. Réinitialiser le réchauffeur (VOIR PARAG. « RÉINITIALISATION DU RÉCHAUFFEUR ») 4b. Contacter le centre d'assistance 5. Intervenir sur le thermostat ambiant, en le réglant à une température supérieure à celle du milieu de travail (FIG. 6) 6. Ravitailler en combustible et, éventuellement, réinitialiser le réchauffeur (VOIR PARAG. « RÉINITIALISATION DU RÉCHAUFFEUR ») 7a. Vider et remplir le réservoir avec du combustible propre 7b. Nettoyer les filtres (VOIR PARAG. « NETTOYAGE DES FILTRES ») 7c. Contacter le centre d'assistance 8. Abaisser la température configurée du thermostat digital (VOIR PARAG. « CONFIGURATION DU RÉGULATEUR ÉLECTRONIQUE ») 9. Réinitialiser l'électronique (VOIR PARAG. « RÉINITIALISATION DU RÉCHAUFFEUR »)
Le réchauffeur produit de la fumée lorsqu'il est en marche	<ol style="list-style-type: none"> 1. Présence de substances étrangères dans le circuit du combustible 2. Obstruction de la prise d'air en entrée 	<ol style="list-style-type: none"> 1a. Vider et remplir le réservoir avec du combustible propre 1b. Nettoyer les filtres (VOIR PARAG. « NETTOYAGE DES FILTRES ») 1c. Contacter le centre d'assistance 2. Retirer toutes les obstructions possibles de la prise d'air
Le réchauffeur ne s'éteint pas	<ol style="list-style-type: none"> 1. Température configurée sur le thermostat digital trop basse 2. Électronique défectueuse 	<ol style="list-style-type: none"> 1. Augmenter la température configurée du thermostat digital (VOIR PARAG. « CONFIGURATION DU RÉGULATEUR ÉLECTRONIQUE ») 2. Contacter le centre d'assistance

BELANGRIJK: LEES EN BEGRIJP EERST DEZE BEDIENINGSHANDLEIDING ALVORENS OVER TE GAAN TOT MONTAGE, INWERKINGSTELLING OF ONDERHOUD VAN DEZE VERWARMER. VERKEERD GEBRUIK VAN DE VERWARMER KAN ERNSTIGE OF FATALE LETSELS VEROORZAKEN. BEWAAR DEZE HANDLEIDING VOOR RAADPLEGING IN DE TOEKOMST.

►►► 1. BESCHRIJVING

Deze reeks warmeluchtverwarmers is bijzonder geschikt voor het verwarmen van lokalen of ruimten van middelgrote tot grote omvang.

De verwarmers met onrechtstreekse verwarming (AFB. 1) zijn dankzij een interne warmtewisselaar in staat om de verbrandingsgassen te scheiden van de warme lucht die aan de omgeving wordt afgegeven. Op deze manier is het mogelijk om een zuivere warmeluchtstroom te hebben op de plaats die verwarmd moet worden en de verbrandingsproducten naar buiten af te voeren.

Deze warmeluchtverwarmers werden ontworpen volgens de meest moderne criteria voor veiligheid, werking en duur. De veiligheidsvoorzieningen garanderen altijd de correcte werking van de verwarmers.

►►► 2. INLICHTINGEN BETREFFENDE DE VEILIGHEID WAARSCHUWINGEN



BELANGRIJK: Dit luchtverwarmingstoestel is ontworpen voor mobiele en tijdelijke professionele toepassingen. Het is niet ontworpen voor huishoudelijk gebruik of om mensen warmtecomfort te bieden.



BELANGRIJK: Dit toestel is niet geschikt om gebruikt te worden door personen (kinderen inbegrepen) met beperkte fysieke, zintuiglijke en mentale capaciteiten, of zonder ervaring, tenminste als ze niet onder toezicht staan van een persoon die verantwoordelijk is voor hun veiligheid. Zorg dat kinderen onder toezicht staan zodat ze niet met het apparaat spelen.



GEVAAR: Koolmonoxidevergiftiging kan fataal zijn.

De eerste symptomen van koolmonoxidevergiftiging lijken op die van griep, met hoofdpijn, duizeligheid en/of braken. Dergelijke symptomen kunnen veroorzaakt worden door een slechte werking van de verwarmers. **ALS DEZE SYMPTOMEN ZICH ZOUDEN VOORDOEN, MOET U ONMIDDELIJK NAAR BUITEN GAAN** en de verwarmers door de technische dienst laten repareren.

►►► 2.1. BIJTANKEN:

►2.1.1. Het personeel belast met het bijtanken, moet gekwalificeerd zijn en volledig vertrouwd zijn met de instructies van de fabrikant en met de geldende normen wat betreft het veilig bijtanken van verwarmers.

►2.1.2. Gebruik uitsluitend het type brandstof dat op het identificatieplaatje van de verwarmers is gespecificeerd.

►2.1.3. Vooraleer bij te tanken, dient u de verwarmers uit te zetten en wachten tot die is afgekoeld.

►2.1.4. De tanks voor opslag van brandstof moeten in een afzonderlijke structuur zijn ondergebracht.

►2.1.5. Alle brandstoftanks moeten zich op een veilige minimumafstand van de verwarmers bevinden, volgens de geldende normen.

►2.1.6. Bewaar de brandstof in lokalen waar de vloer geen penetratie toelaat of waar er druppels op vlammen eronder kunnen vallen, wat ontsteking kan veroorzaken.

►2.1.7. Het bewaren van de brandstof dient te gebeuren in overeenstemming met de geldende normen.

►►► 2.2. VEILIGHEID:

►2.2.1. Gebruik de verwarmers nooit in lokalen waarin benzine, solventen voor verf of andere licht ontvlambare dampen aanwezig zijn.

►2.2.2. Tijdens het gebruik van het verwarmingstoestel dient u zich te houden aan alle plaatselijke verordeningen en aan de geldende normen.

►2.2.3. Verwarmers gebruikt in de buurt van zeilen, gordijnen of andere, gelijkaardige afdekmaterialen, moeten op veilige afstand ervan worden opgesteld. Het wordt ook aangeraden om brandvertragende afdekmaterialen te gebruiken.

►2.2.4. Alleen in goed geventileerde zones gebruiken. Voorzie een geschikte opening volgens de geldende normen, om verse lucht van buiten aan te voeren.

►2.2.5. Voed de verwarmers uitsluitend met stroom waarvan spanning en frequentie overeenkomen met de specificatie op het identificatieplaatje.

►2.2.6. Gebruik uitsluitend verlengsnoeren die op correcte wijze op massa zijn aangesloten.

►2.2.7. Aanbevolen minimale veilige afstanden tussen de verwarmers en ontvlambare stoffen zijn: uitgang vooraan = 2,5 m; opzij, bovenaan en achteraan = 1,5 m.

►2.2.8. Zet de warme verwarmers of de verwarmers in werking op een stabiel, waterpas oppervlak, om brandgevaar te vermijden.

►2.2.9. Houd dieren op veilige afstand van het verwarmingstoestel.

►2.2.10. Haal de stekker van het verwarmingstoestel uit het stopcontact wanneer u het toestel niet gebruikt.

►2.2.11. Wanneer de verwarmers door een thermostaat wordt aangestuurd, kan die op elk willekeurig ogenblik inschakelen.

►2.2.12. De verwarmers nooit gebruiken in vaak bewoonde kamers of in slaapkamers.

►2.2.13. De luchtinlaat of de luchtuitlaat van de verwarmers nooit blokkeren.

►2.2.14. Wanneer de verwarmers warm is, of op het elektrische net aangesloten, of in werking is, mag die nooit worden verplaatst, verhandeld, bijgetankt of onderworpen aan een onderhoudsinterventie.

►2.2.15. Vermijd om de lucht bij de ingang en/of uitgang te kanaliseren als dit niet met de originele kit gebeurt (waar voorzien).

►2.2.16. Houd voldoende afstand tussen ontvlambare of thermolabele materialen (met inbegrip van

de voedingskabel) en de warme delen van het verwarmingstoestel.

- ▶ 2.2.17. Als de voedingskabel beschadigd blijkt, moet die door de technische dienst worden vervangen om ieder risico te vermijden.
- ▶ 2.2.18. Zorg dat tijdens de werking de brandbeveiligingsinrichtingen klaar zijn voor gebruik.
- ▶ 2.2.19. Gebruik bij vervanging van de brander originele vervangingsonderdelen, neem nauwgezet het soort spuitmond en pompdruk in acht in overeenstemming met het waterdebiet. Een toename van het vermogen van de brander kan de verwarmers beschadigen.

▶ ▶ ▶ 3. UITPAKKEN

WAARSCHUWING: HET VERPAKKINGSMATERIAAL IS GEEN SPEELGOED VOOR KINDEREN. HOUD DE PLASTIC ZAK UIT DE BUURT VAN KINDEREN; VERSTIKKINGSGEVAAR!

- ▶ 3.1. Verwijder alle verpakkingsmaterialen gebruikt om de verwarmers te verpakken en te verzenden. Gooi deze weg volgens de geldende normen.
- ▶ 3.2. Wanneer de verwarmers op een platform is geplaatst, haal deze er dan voorzichtig af met gebruik van geschikte inrichtingen en instrumenten, overeenkomstig de nationale regelgeving en de toepasselijke voorschriften. De verwarmers kan worden opgetild met een vorkheftruck, met gebruik van geschikte kettingen en haken (het toestel is voorzien van oogbouten).
- ▶ 3.3. Controleer of er tijdens het transport geen schade is opgetreden. Als de verwarmers beschadigd lijkt, moet u onmiddellijk de concessiehouder verwittigen, waar het toestel werd aangekocht.

▶ ▶ ▶ 4. ASSEMBLAGE

(AFB. 2)

Deze verwarmers zijn afhankelijk van het model voorzien van handgrepen, beugels, dragers, enz. Deze componenten bevinden zich samen met de bijhorende montagebouten in de doos van de verwarmers.

▶ ▶ ▶ 5. BRANDSTOF

WAARSCHUWING: DE VERWARMER WERKT ALLEEN OP DIESEL OF KEROSINE.

Gebruik uitsluitend diesel of kerosine, om brandgevaar of ontploffingsgevaar te vermijden. Maak nooit gebruik van benzine, nafta, solventen voor verfstoffen, alcohol of andere zeer ontvlambare brandstoffen.

Gebruik niet-giftige antivriesadditieven bij zeer lage temperaturen.

Aanbevolen wordt om winterdiesel te gebruiken bij temperaturen onder 5°C.

▶ ▶ ▶ 6. WERKINGSPRINCIPES

De pomp van de brander zuigt de brandstof uit de tank en stuurt deze naar de spuitmond onder druk waar de brandstof wordt verneveld en gemengd met de verbrandingslucht in de verbrandingskamer. Een vonk ontsteekt de brandstof terwijl de uitlaatgassen uit de schoorsteen worden gestoten. Een reeks sensoren controleren constant de correcte werking van de verwarmers, en stoppen de cyclus wanneer er zich problemen voordoen. De ventilator, geplaatst aan de achterkant van de verwarmers, heeft tot

doel de verbrandingskamer en de schoorsteen af te koelen door de warmte hieruit naar de omgeving te verplaatsen.

▶ ▶ ▶ 7. BEDIENINGSPANEEL

(AFB. 3)

- A. Elektronische regelaar.
- B. Urenteller.
- C. Schakelaar voor inschakeling.
- D. Drukknop voor de ventilatieregeling.
- E. Controlelampje aanwezigheid elektrische spanning.
- F. Controlelampje alarm blokkering brander.
- G. Controlelampje alarm blokkering ventilatie.
- H. Controlelampje alarm te hoge temperatuur.
- I. Reset thermostaat te hoge temperatuur.
- L. Connector brander.
- M. Zekering.
- N. Connector omgevingsthermostaat op afstand.

▶ ▶ ▶ 8. WERKING

WAARSCHUWING: LEES ZORGVULDIG DE "INFORMATIE BETREFFENDE DE VEILIGHEID", ALVORENS DE VERWARMER IN TE SCHAKELEN.

▶ ▶ ▶ 8.1. INSCHAKELEN VAN DE VERWARMER:

- ▶ 8.1.1. Volg alle instructies met betrekking tot de veiligheid.
- ▶ 8.1.2. Sluit de brandstofleidingen aan met inachtneming van de juiste ingangs- en uitgangsverbindingen (AFB. 4).
- ▶ 8.1.3. Controleer of er brandstof in de tank aanwezig is.
- ▶ 8.1.4. Steek de stekker in het stopcontact (AFB. 5) (ZIE SPANNING IN "TABEL TECHNISCHE GEGEVENS").
- ▶ 8.1.5. Zet de schakelaar voor inschakeling in de stand "VLAM" (C AFB. 3). De verwarmers moet binnen enkele seconden aangaan. Als de verwarmers niet start, raadpleeg de paragraaf "PROBLEEM OPSPOREN".
- ▶ 8.1.6. De verwarmers kan in de modus ventilatie gebruikt worden. Om deze functie te activeren de schakelaar voor inschakeling in de stand "VENTILATOR" zetten (C AFB. 3).
- ▶ 8.1.7. De verwarmers beschikt over een drukknoop waarmee de ventilatie geregeld kan worden (D AFB. 3).
 - DRUKKNOP ACTIEF: De ventilatie werkt permanent (ideaal voor extreme gebruikscondities).
 - DRUKKNOP NIET-ACTIEF: De ventilatie werkt automatisch (normale werking).
- ▶ 8.1.8. Bij modellen met omgevingsthermostaat de ingestelde temperatuur controleren (AFB. 6).

OPMERKING: WANNEER DE VERWARMER UITGAAT OMDAT DE BRANDSTOF OP IS, MOET U DE TANK BIJVULLEN EN DE VERWARMER RESETTEN (ZIE PAR. "RESET VAN DE VERWARMER").

BELANGRIJK: BIJ ONRECHTSTREEKSE MODELLEN KUNNEN DE VERBRANDINGSPRODUCTEN NAAR BUITEN WORDEN GEKANALISEERD. VOER DE KANALISERING UIT VOLGENS DE GELDENDE NORMEN EN RESPECTEER DE AANWIJZINGEN VERMELD IN HET BETREFFENDE DEEL VAN DE HANDLEIDING.

▶ ▶ ▶ 8.2. UITSCHAKELEN VAN DE VERWARMER:

Zet de schakelaar voor inschakeling op de stand "0" (C AFB. 3). De vlam gaat uit en de ventilator blijft werken tot de verbrandingskamer volledig is afgekoeld. Trek de stekker niet uit het stopcontact totdat de koelcyclus is voltooid.

►►► 9. RESET VAN DE VERWARMER

Wanneer er zich een storing in de normale werking voordoet, gaat de verwarmers uit.

Alvorens de verwarmers weer in werking te stellen, dient u de oorzaak op te sporen en op te lossen die de blokkering heeft voortgebracht (bijvoorbeeld verstopping van de luchtinlaat en/of van de luchtafvoer, stilstand van de ventilator, geen brandstof, enz.). Wanneer u er niet in slaagt het probleem op te lossen dat de blokkering heeft veroorzaakt, moet u een interventie door de technische dienst laten uitvoeren.

Voor het resetten van de verwarmers, wordt aangeraden de volgende procedure te volgen (volg alle aanwijzingen met betrekking tot de veiligheid):

- RESET THERMOSTAAT TE HOGE TEMPERATUUR [Controlelampje aan (H AFB. 3)]: De verwarmers heeft de maximum bedrijfstemperatuur bereikt. Om de verwarmers te resetten, neemt u de oorzaak die tot de blokkering heeft geleid, weg (wend u tot de technische dienst), verwijder de afdekking (AFB. 7), schroef de dop los en druk de knop helemaal in (I AFB. 3). Schroef vervolgens de dop er weer op en herstel de afdekking (AFB. 8).
- RESET BRANDER [Controlelampje aan (F AFB. 3) (AFB. 9)]: De brander heeft een storing in de werking. Om de brander te resetten, neemt u de oorzaak die tot de blokkering heeft geleid, weg (wend u tot de technische dienst), verwijder de afdekking (AFB. 7) en druk de knop een aantal seconden helemaal in (AFB. 10). Herstel vervolgens de afdekking (AFB. 8).
- RESET VENTILATIEMOTOR [Controlelampje aan (G AFB. 3)]: De ventilatiemotor is geblokkeerd of functioneert niet goed. Zet voor het resetten van de verwarmers, de schakelaar voor inschakeling in stand "0" (C AFB. 3) neem de oorzaak die tot de blokkering heeft geleid, weg (wend u tot de technische dienst) en schakel de verwarmers weer in.

►►► 10. CONFIGURATIE VAN DE ELEKTRONISCHE REGELAAR

BELANGRIJK: ALS DE ELEKTRONISCHE REGELAAR (REEDS DOOR DE PRODUCENT INGESTELD) NIET OPNIEUW INGESTELD WORDT, ZAL DIT DE CORRECTE WERKING VAN DE VERWARMING NIET COMPROMITTEREN.

De elektronische regelaar (A AFB. 3) regelt de inschakeling en de uitschakeling van de ventilatie in de fase van voorverwarming en na-ventilatie van de verwarming.

Al naargelang de omgevingstemperatuur (zeer koud klimaat of zeer warm klimaat, ZIE TAB. "CONFIGURATIE VAN DE ELEKTRONISCHE REGELAAR") kan het nodig zijn de referentieparameter te moeten wijzigen.

Configuratieprocedure:

- 10.1. Zorg ervoor dat de schakelaar voor de inschakeling op "0" staat en de voedingsstekker op het stroomnet aangesloten is.
- 10.2. Druk achtereenvolgens op de volgende toetsen:
 - Druk op de toets "SET".
 - Laat "SP2" weergegeven met gebruik van de toetsen "▼" / "▲".
 - Druk op de toets "SET" om naar binnen te gaan.
 - Stel met de toetsen "▼" / "▲" de gewenste temperatuur in.
 - Druk op de toets "SET" om te bevestigen.

BELANGRIJK: DE ELEKTRONISCHE REGELAAR HEEFT GEEN FUNCTIE VOOR OMGEVINGSTHERMOSTAAT.

►►► 11. REINIGING VAN DE FILTERS

►► 11.1. AFZUIGFILTER, AFHANKELIJK VAN HET MODEL:

(AFB. 11)

Afhankelijk van de hoeveelheid brandstof die gebruikt wordt, kan het nodig zijn om de filters te reinigen:

- 11.1.1. Verwijder de beker (A).
- 11.1.2. Haal de filter (B) uit de beker, let erop dat u de pakkingen met zorg bewaart.
- 11.1.3. Reinig de filter (B) met schone brandstof, let op dat u de filter niet beschadigt.
- 11.1.4. Monteer de filter (B) opnieuw in de beker.
- 11.1.5. Monteer de beker (A) opnieuw, let erop dat u de pakkingen correct opnieuw monteert.

►► 11.2. FILTER BRANDSTOFPOMP:

Zie programma preventief onderhoud.

►►► 12. BEWARING EN TRANSPORT

WAARSCHUWING: VÓÓR IEDERE VERPLAATSING, MOET U DE VERWARMER UITSCHAKELEN (ZIE PAR. "UITSCHAKELEN VAN DE VERWARMER), DE ELEKTRISCHE STROOMTOEVOER LOSKOPPELEN, DOOR DE STEKKER UIT HET STOPCONTACT TE HALEN (AFB. 12) EN WACHTEN TOTDAT DE VERWARMER VOLLEDIG IS AFGEKOELD. WANNEER U DE VERWARMER VERPLAATST, DIENT U DEZE IN GENIVELLEERDE POSITIE TE HOUDEN.

Voor het beste behoud van de verwarmers, wordt aangeraden de volgende procedure te volgen (volg alle aanwijzingen met betrekking tot de veiligheid):

- 12.1. De verwarmers kan worden opgetild met een vorkheftruck, met gebruik van geschikte kettingen en haken (het toestel is voorzien van oogbouten).
- 12.2. Om de verwarmers in goede staat te bewaren, wordt aangeraden om hem op te bergen op een droge plaats, die bescherming biedt tegen mogelijke schade.

►►► 13. AANSLUITING OMGEVINGSTHERMOSTAAT

Bij modellen waar de aansluiting van een omgevingsthermostaat is voorzien, verwijdert u de dop die om de verwarmers is aangesloten en sluit u de omgevingsthermostaat (optie) aan (AFB. 13-14).

►►► 14. ADVIEZEN VOOR DE KANALISERING

(AFB. 15)

BELANGRIJK: VERMIJD OM DE LUCHT BIJ DE INGANG EN/OF UITGANG TE KANALISEREN ALS DIT NIET MET DE ORIGINELE KIT GEBEURT (WAAR VOORZIEN).

Teneinde problemen ten aanzien van de werking van de verwarmers of schade aan personen te vermijden is het noodzakelijk aandacht te besteden aan de opstelling van de leidingen voor de kanalisering. Teneinde de weerstanden van de luchtstroom te verminderen, wordt aangeraden de leidingen voor de kanalisering te plaatsen met zo weinig mogelijk bochten en bochten met scherpe hoeken te vermijden. De eerste meters mogen geen bochten bevatten.

WAARSCHUWING: VOORALEER EEN ONDERHOUD OF REPARATIE UIT TE VOEREN, MOET U DE VOEDINGSKABEL LOSKOPPELEN VAN HET ELEKTRISCH NET EN CONTROLEREN OF DE VERWARMER KOUD IS.

► ► ► 15. PROGRAMMA VOOR PREVENTIEF ONDERHOUD

COMPONENT	FREQUENTIE ONDERHOUD	ONDERHOUDSPROCEDURE
Filters	Eén keer per jaar of volgens de noodwendigheden schoonmaken of vervangen (controleer de intacte staat)	De filters reinigen (ZIE PAR. "REINIGING VAN DE FILTERS")
Filter brandstofpomp	Eén keer per jaar of volgens de noodwendigheden schoonmaken of vervangen (controleer de intacte staat)	Wend u tot de technische dienst
Elektroden	Reinigen volgens noodzaak	Wend u tot de technische dienst
Ventilator	Reinigen volgens noodzaak	Wend u tot de technische dienst
Verbrandingskamer	Reinigen volgens noodzaak	Wend u tot de technische dienst

nl

► ► ► 16. EEN PROBLEEM OPSPOREN

PROBLEEM	MOGELIJKE OORZAAK	MOGELIJKE OPLOSSING
De verwarmmer start niet of blijft niet aan	<ol style="list-style-type: none"> Schakelaar voor inschakeling staat op stand "0" Geen voeding Voedingskabel onderbroken Te resetten of defecte elektronica Foutieve instelling van de omgevingsthermostaat (waar aanwezig) Geen brandstof Vreemde stoffen aanwezig in het verbrandingscircuit Ingestelde temperatuur op digitale thermostaat te hoog Elektronica geblokkeerd 	<ol style="list-style-type: none"> Zet de schakelaar voor inschakeling op de stand "VLAM" (C AFB. 3) Steek de stekker van de voedingskabel correct in het stopcontact (AFB. 5) Controleer of uw systeem de correcte spanning heeft Wend u tot de technische dienst Reset de verwarmmer (ZIE PAR. "RESET VAN DE VERWARMER") Wend u tot de technische dienst Stel de omgevingsthermostaat in op een hogere temperatuur dan de temperatuur van de werkomgeving (AFB. 6) Voeg brandstof toe en reset zo nodig de verwarmmer (ZIE PAR. "RESET VAN DE VERWARMER") Maak de tank volledig leeg en vul met schone brandstof Reinig de filters (ZIE PAR. "REINIGING VAN DE FILTERS") Wend u tot de technische dienst Verlaag de ingestelde temperatuur van de digitale thermostaat (ZIE PAR. "CONFIGURATIE VAN DE ELEKTRONISCHE REGELAAR") Reset de elektronica (ZIE PAR. "RESET VAN DE VERWARMER")
De verwarmmer produceert rook tijdens de werking	<ol style="list-style-type: none"> Vreemde stoffen aanwezig in het verbrandingscircuit Obstructie van de luchtinlaat 	<ol style="list-style-type: none"> Maak de tank volledig leeg en vul met schone brandstof Reinig de filters (ZIE PAR. "REINIGING VAN DE FILTERS") Wend u tot de technische dienst Verwijder alle mogelijke obstructies van de luchtinlaat
De verwarmmer gaat niet uit	<ol style="list-style-type: none"> Ingestelde temperatuur op digitale thermostaat te laag Elektronica defect 	<ol style="list-style-type: none"> Verhoog de ingestelde temperatuur van de digitale thermostaat (ZIE PAR. "CONFIGURATIE VAN DE ELEKTRONISCHE REGELAAR") Wend u tot de technische dienst

IMPORTANTE: LEIA E COMPREENDA ESTE MANUAL OPERATIVO ANTES DE EFETUAR A MONTAGEM, A COLOCAÇÃO EM FUNCIONAMENTO OU A MANUTENÇÃO DESTA AQUECEDOR. O USO ERRADO DO AQUECEDOR PODE CAUSAR LESÕES GRAVES OU FATAIS. CONSERVE ESTE MANUAL PARA FUTURAS CONSULTAS.

▶▶▶ 1. DESCRIÇÃO

Esta série de aquecedores de ar quente é particularmente indicada para o aquecimento de locais ou espaços de médias ou grandes dimensões.

Os aquecedores de aquecimento indireto (FIG. 1) graças a um trocador de calor interno, permitem separar os gases de combustão do ar quente inserido no ambiente. Desse modo, é possível ter uma corrente de ar quente limpo no local a ser aquecido e transportar para fora os produtos da combustão.

Estes aquecedores de ar quente foram projetados de acordo com os mais modernos critérios de segurança, funcionalidade e durabilidade. Os dispositivos de segurança garantem sempre o funcionamento correto do aquecedor.

▶▶▶ 2. INFORMAÇÕES SOBRE A SEGURANÇA ADVERTÊNCIAS



IMPORTANTE: Este aquecedor de ar foi projetado para aplicações profissionais temporárias e móveis. Não foi concebido para uso doméstico nem para conforto térmico de humanos.



IMPORTANTE: Este aparelho não é adequado para o uso de pessoas (inclusive crianças) com capacidades físicas, sensoriais e mentais reduzidas, ou inexperientes, a menos que sejam supervisionadas por uma pessoa responsável pela segurança destas mesmas pessoas. As crianças devem ser vigiadas para que não brinquem com o aparelho.



PERIGO: A asfixia por monóxido de carbono pode ser fatal.

Os primeiros sintomas de asfixia por monóxido de carbono assemelham-se aos da gripe, com cefaleias, tonturas e/ou náusea. Tais sintomas podem ser causados pelo funcionamento defeituoso do aquecedor. **CASO SURJAM TAIS SINTOMAS, SAIR IMEDIATAMENTE PARA O AR LIVRE E solicitar à assistência técnica a reparação do aquecedor.**

▶▶▶ 2.1. REABASTECIMENTO:

- ▶▶▶ 2.1.1. O pessoal encarregado do fornecimento deve ser qualificado e ter total domínio das instruções do fabricante e das normas vigentes em matéria de abastecimento seguro dos aquecedores.
- ▶▶▶ 2.1.2. Usar somente o tipo de combustível expressamente especificado na placa de identificação do aquecedor.
- ▶▶▶ 2.1.3. Antes de efetuar o reabastecimento, desligue o aquecedor, e espere que arrefeça.
- ▶▶▶ 2.1.4. Os tanques de armazenamento do combustível devem ficar em uma estrutura separada.
- ▶▶▶ 2.1.5. Todos os reservatórios do combustível devem estar a uma distância mínima de segurança do aquecedor, de acordo com as normas vigentes.

▶▶▶ 2.1.6. O combustível deve ser conservado em locais cujo pavimento não permita a penetração e o gotejamento do mesmo sobre chamas situadas em locais abaixo dele, que possam causar o seu acendimento.

▶▶▶ 2.1.7. A conservação do combustível deve ser efetuada em conformidade com a norma vigente.

▶▶▶ 2.2. SEGURANÇA:

- ▶▶▶ 2.2.1. Nunca utilizar o aquecedor em locais nos quais haja a presença de gasolina, solventes para tintas ou outros vapores altamente inflamáveis.
- ▶▶▶ 2.2.2. Durante o uso do aquecedor, respeitar todas as ordens locais e a normativa vigente.
- ▶▶▶ 2.2.3. Os aquecedores usados nas proximidades de toldos, cortinas, ou outros materiais semelhantes de cobertura, devem estar posicionados a uma distância mínima de segurança. Aconselha-se também de utilizar materiais de cobertura de tipo ignífugo.
- ▶▶▶ 2.2.4. Utilizar somente em áreas bem ventiladas. Preparar uma abertura adequada conforme as normas vigentes, a fim de introduzir ar fresco de fora.
- ▶▶▶ 2.2.5. Alimentar o aquecedor com corrente que seja condizente com a especificação de tensão e frequência presente na placa de identificação do aparelho.
- ▶▶▶ 2.2.6. Utilizar somente extensões adequadamente ligadas à terra.
- ▶▶▶ 2.2.7. Distâncias mínimas de segurança aconselhadas entre o aquecedor e as substâncias inflamáveis são: saída dianteira = 2,5 m; de lado, na parte superior e atrás = 1,5 m.
- ▶▶▶ 2.2.8. Colocar o aquecedor quente ou em funcionamento sobre uma superfície estável e nivelada, a fim de evitar riscos de incêndio.
- ▶▶▶ 2.2.9. Manter os animais a uma distância de segurança do aquecedor.
- ▶▶▶ 2.2.10. Desconectar o aquecedor da tomada de rede, quando não se utiliza.
- ▶▶▶ 2.2.11. Quando é controlado por um termóstato, o aquecedor pode acender-se a qualquer momento.
- ▶▶▶ 2.2.12. Nunca usar o aquecedor em locais frequentemente habitados, nem em quartos de dormir.
- ▶▶▶ 2.2.13. Nunca bloquear a tomada de ar nem a saída de ar do aquecedor.
- ▶▶▶ 2.2.14. Quando o aquecedor está quente, conectado à rede elétrica ou em funcionamento nunca deve ser deslocado, manuseado ou submetido a nenhuma intervenção de manutenção.
- ▶▶▶ 2.2.15. Não canalizar o ar na entrada ou na saída se não for com kits originais (quando previstos).
- ▶▶▶ 2.2.16. Manter uma distância adequada dos materiais inflamáveis, ou termolábeis (incluindo o cabo de alimentação) das partes quentes do aquecedor.
- ▶▶▶ 2.2.17. Se o cabo de alimentação estiver danificado, deverá ser substituído em um centro de assistência técnica, para prevenir qualquer tipo de risco.

▶ 2.2.18. Durante o funcionamento, certificar-se que os dispositivos anti-incêndio estejam prontos para ser usados.

▶ 2.2.19. Em caso de substituição do queimador, usar peças sobressalentes originais, respeitar rigorosamente as indicações para a vazão, tipo de bocais e pressão da bomba. Um aumento da potência do queimador poderá danificar o queimador.

▶▶▶ 3. DESEMBALAGEM

ADVERTÊNCIA: O MATERIAL DA EMBALAGEM NÃO É UM BRINQUEDO PARA CRIANÇAS. MANTER O SACO DE PLÁSTICO FORA DO ALCANCE DAS CRIANÇAS; PERIGO DE ASFIXIA!

▶ 3.1. Remover todos os materiais de embalagem utilizados para embalar e expedir o aquecedor. Eliminá-los de acordo com as normas vigentes.

▶ 3.2. Caso o aquecedor esteja colocado sobre a plataforma, abaixá-lo delicadamente usando dispositivos e ferramentas adequadas, de acordo com os regulamentos nacionais e em conformidade com as normas em vigor. É possível elevá-lo com o empilhador, usando adequadas correntes e ganchos de suspensão (o aquecedor tem olhais).

▶ 3.3. Controlar eventuais danos sofridos durante o transporte. Se o aquecedor aparentar danos, informar imediatamente o concessionário junto ao qual foi adquirido.

▶▶▶ 4. MONTAGEM

(FIG. 2)

Estes aquecedores têm pegas, suportes, apoios, tec., conforme o modelo. Tais componentes, completados pelos respectivos elementos de fixação para montagem, estão situados na caixa do aquecedor.

▶▶▶ 5. COMBUSTÍVEL

ADVERTÊNCIA: O AQUECEDOR FUNCIONA APENAS COM GASÓLEO OU QUEROSENE.

Use somente diesel ou querosene, para evitar riscos de incêndio ou de explosão. Nunca utilizar de gasolina, nafta, solventes para tintas, álcool ou outros combustíveis altamente inflamáveis.

Usar aditivos anticongelantes não tóxicos em caso de temperaturas muito baixas.

É aconselhável utilizar gasóleo para inverno quando a temperatura é inferior a 5°C.

▶▶▶ 6. PRINCÍPIOS DE FUNCIONAMENTO

A bomba do queimador aspira o combustível do reservatório e envia-o para o bocal sob pressão onde é nebulizado e misturado ao ar de combustão nas câmara de combustão. Uma faísca dá ignição à combustão enquanto os fumos são expulsos pela chaminé. Vários sensores verificam constantemente o funcionamento correto do aquecedor, parando o ciclo em caso de anomalias. O ventilador, posicionado na parte traseira do aquecedor, tem a função de arrefecer a câmara de combustão e o canal de fumos, transferindo o calor destes últimos para o ambiente.

▶▶▶ 7. PAINEL DE CONTROLO

(FIG. 3)

A. Regulador eletrónico.

B. Contador de horas.

C. Interruptor de acendimento.

D. Botão para o controlo da ventilação.

E. Indicador luminoso de presença de tensão elétrica.

F. Indicador luminoso de alarme de bloqueio do queimador.

G. Indicador luminoso de alarme de bloqueio ventilação.

H. Indicador luminoso de alarme de temperatura excessiva.

I. Reset termóstato de temperatura excessiva.

L. Conector do queimador.

M. Fusível.

N. Conector termóstato ambiente remoto.

▶▶▶ 8. FUNCIONAMENTO

ADVERTÊNCIA: LER ATENTAMENTE AS "INFORMAÇÕES SOBRE A SEGURANÇA" ANTES DE ACENDER O AQUECEDOR.

▶▶▶ 8.1. LIGAÇÃO DO AQUECEDOR:

▶ 8.1.1. Seguir todas as instruções relacionadas à segurança.

▶ 8.1.2. Conectar os tubos do combustível respeitando as corretas conexões de entrada e saída (FIG. 4).

▶ 8.1.3. Controlar a presença de combustível no reservatório.

▶ 8.1.4. Ligar a ficha de alimentação à rede elétrica (FIG. 5) (VER A TENSÃO NA "TABELA DE DADOS TÉCNICOS").

▶ 8.1.5. Colocar o interruptor de acendimento na posição "CHAMA" (C FIG. 3). O aquecedor deverá acender-se dentro de poucos segundos. Se o aquecedor não se acender consultar o parágrafo "IDENTIFICAÇÃO DO PROBLEMA".

▶ 8.1.6. O aquecedor pode ser usado na modalidade de ventilação; para ativar esta função, posicionar o interruptor de alimentação na posição "VENTOINHA" (C FIG. 3).

▶ 8.1.7. O aquecedor dispõe de um botão que permite controlar a ventilação (D FIG. 3).

-BOTÃO ATIVADO: A ventilação funciona continuamente (ideal para condições de uso extremas).

-BOTÃO DESATIVADO: A ventilação funciona automaticamente (funcionamento normal).

▶ 8.1.8. Para os modelos com termóstato ambiente, verificar a temperatura definida (FIG. 6).

NOTA: EM CASO DE DESLIGAMENTO DO AQUECEDOR DEVIDO A ESGOTAMENTO DE COMBUSTÍVEL, COMPLETAR O RESERVATÓRIO E REALIZAR O RESET DO AQUECEDOR (VER PARÁG. "RESET DO AQUECEDOR").

IMPORTANTE: NOS MODELOS INDIRETOS, OS PRODUTOS DA COMBUSTÃO PODEM SER CANALIZADOS PARA O EXTERIOR. REALIZAR A CANALIZAÇÃO DE ACORDO COM A NORMA VIGENTE E RESPEITAR AS INDICAÇÕES REFERIDAS NA SECÇÃO ESPECÍFICA DO MANUAL.

▶▶▶ 8.2. DESLIGAMENTO DO AQUECEDOR:

Colocar o interruptor de acendimento na posição "0" (C FIG. 3). A chama apaga e o ventilador continua a funcionar até resfriar completamente a câmara de combustão. Não desligar a ficha elétrica enquanto não for concluído o ciclo de arrefecimento.

▶▶▶ 9. RESET DO AQUECEDOR

No caso de anomalia no funcionamento normal, o aquecedor desliga-se.

Para colocar novamente em funcionamento o aquecedor, é necessário identificar e eliminar a causa do bloqueio (por exemplo, obstrução da tomada de ar na entrada e/ou de saída do ar, paragem do ventilador, falta de combustível, etc.). Se não for possível eliminar a causa do problema que determinou o bloqueio, solicitar os serviços do centro de assistência técnica.

Para fazer reset ao aquecedor, recomenda-se de seguir o procedimento seguinte (seguir todas as instruções relativas à segurança):

▶ **RESET TERMÓSTATO DE AQUECIMENTO EXCESSIVO** [Indicador luminoso aceso (H FIG. 3)]: O aquecedor atingiu a temperatura máxima de funcionamento. Para fazer reset ao aquecedor eliminar a causa que provocou o bloqueio (caso seja necessário consultar o centro de assistência), remover a cobertura (FIG. 7), desapertar a tampa e pressionar a fundo o botão (I FIG. 3). Em seguida reapertar a tampa e restaurar a cobertura (FIG. 8).

▶ **RESET DO QUEIMADOR** [Indicador luminoso aceso (F FIG. 3) (FIG. 9)]: O queimador teve uma anomalia no funcionamento. Para fazer reset ao queimador eliminar a causa que provocou o bloqueio (caso seja necessário consultar o centro de assistência), remover a cobertura (FIG. 7) e pressionar a fundo, durante alguns segundos, o botão (FIG. 10). Em seguida restaurar a cobertura (FIG. 8).

▶ **RESET DO MOTOR DA VENTILAÇÃO** [Indicador luminoso aceso (G FIG. 3)]: O motor da ventilação está bloqueado ou funciona de modo anómalo. Para fazer reset ao aquecedor, colocar o interruptor de acendimento na posição "0" (C FIG. 3), eliminar a causa que provocou o bloqueio (caso seja necessário consultar o centro de assistência) e voltar a acender o aquecedor.

▶▶▶ 10. CONFIGURAÇÃO DO REGULADOR ELETRÔNICO

IMPORTANTE: O REGULADOR ELETRÔNICO (JÁ CONFIGURADO PELO FABRICANTE), SE NÃO FOR RECONFIGURADO, NÃO PREJUDICA O CORRETO FUNCIONAMENTO DO AQUECEDOR.

O regulador eletrónico (A FIG. 3), controla o acendimento e o desligamento da ventilação durante a fase de pré-aquecimento e de pós-ventilação do aquecedor.

Conforme a temperatura ambiente (clima muito frio ou clima muito quente, VER TAB. "CONFIGURAÇÃO DO REGULADOR ELETRÔNICO"), pode ser necessário modificar o parâmetro de referência.

Procedimento de configuração:

▶ 10.1. Certificar-se que o interruptor de acendimento esteja na posição "0" e que a ficha de alimentação esteja conectada à rede elétrica.

▶ 10.2. Executar a seguinte sequência de teclas:

-Pressionar a tecla "SET".

-Visualizar "SP2" navegando com as teclas "▼" / "▲".

-Pressionar a tecla "SET" para entrar.

-Configurar a temperatura desejada com as teclas "▼" / "▲".

-Pressionar a tecla "SET" para confirmar.

IMPORTANTE: O REGULADOR ELETRÔNICO NÃO TEM A FUNÇÃO DE TERMÓSTATO AMBIENTE.

▶▶▶ 11. LIMPEZA DOS FILTROS

▶▶▶ 11.1. FILTRO DE ASPIRAÇÃO, CONFORME O MODELO:

(FIG. 11)

De acordo com a qualidade do combustível que é utilizado, a limpeza dos filtros pode ser necessária:

▶ 11.1.1. Remover o copo (A).

▶ 11.1.2. Extrair o filtro (B) do copo, prestando atenção para conservar com cuidado as guarnições.

▶ 11.1.3. Limpar o filtro (B) com combustível limpo, prestando atenção para não danificá-lo.

▶ 11.1.4. Montar novamente o filtro (B) no copo.

▶ 11.1.5. Montar novamente o copo (A) prestando muita atenção para montar corretamente as guarnições.

▶▶▶ 11.2. FILTRO BOMBA COMBUSTÍVEL:

Ver o programa de manutenção preventiva.

▶▶▶ 12. CONSERVAÇÃO E TRANSPORTE

ADVERTÊNCIA: ANTES DE QUALQUER DESLOCAMENTO É NECESSÁRIO PARAR O AQUECEDOR (VER PAR. "DESLIGAMENTO DO AQUECEDOR"), DESINSERIR A ALIMENTAÇÃO ELÉTRICA, EXTRAINDO A FICHA DA TOMADA ELÉTRICA (FIG. 12) E ESPERAR O COMPLETO ARREFECIMENTO DO AQUECEDOR. AO MOVIMENTAR O AQUECEDOR, ESTE DEVE SER MANTIDO EM UMA POSIÇÃO NIVELADA.

Para conservar o melhor possível o aquecedor, recomenda-se de seguir o procedimento seguinte (seguir todas as instruções relativas à segurança):

▶ 12.1. É possível elevá-lo com o empilhador, usando adequadas correntes e ganchos de suspensão (o aquecedor tem olhais).

▶ 12.2. Para conservar melhor o aquecedor é aconselhável guardá-lo em um local seco e protegido contra possíveis danos.

▶▶▶ 13. LIGAÇÃO DO TERMÓSTATO AMBIENTE

Nos modelos preparados para a ligação do termóstato ambiente, remover a tampa do aquecedor e conectar o termóstato ambiente (opcional) (FIG. 13-14).

▶▶▶ 14. RECOMENDAÇÕES PARA A CANALIZAÇÃO

(FIG. 15)

IMPORTANTE: NÃO CANALIZAR O AR NA ENTRADA OU NA SAÍDA SE NÃO FOR COM KITS ORIGINAIS (QUANDO PREVISTOS).

Para evitar problemas de funcionamento do aquecedor ou danos às pessoas é necessário prestar atenção à disposição dos tubos de canalização de ar. Para reduzir as resistências do fluxo de ar, recomenda-se posicionar os tubos de canalização reduzindo o número de curvas e evitando dobras com ângulos agudos. Os primeiros metros não devem ter curvas.

ADVERTÊNCIA: ANTES DE EFETUAR QUALQUER MANUTENÇÃO OU REPARAÇÃO, DESLIGAR O CABO DE ALIMENTAÇÃO DA REDE ELÉTRICA E VERIFICAR SE O AQUECEDOR ESTÁ FRIO.

►►► 15. PROGRAMA DE MANUTENÇÃO PREVENTIVA

COMPONENTE	FREQUÊNCIA DE MANUTENÇÃO	PROCEDIMENTO DE MANUTENÇÃO
Filtros	Limpar ou substituir uma vez por ano ou de acordo com a necessidade (verificar a sua integridade)	Limpar os filtros (VER PARÁG. "LIMPEZA DE FILTROS")
Filtro bomba combustível	Limpar ou substituir uma vez por ano ou de acordo com a necessidade (verificar a sua integridade)	Consultar o centro de assistência
Eléttodos	Limpar de acordo com a necessidade	Consultar o centro de assistência
Ventoinha	Limpar de acordo com a necessidade	Consultar o centro de assistência
Câmara de combustão	Limpar de acordo com a necessidade	Consultar o centro de assistência

pt

►►► 16. IDENTIFICAÇÃO DO PROBLEMA

PROBLEMA	POSSÍVEL CAUSA	POSSÍVEL SOLUÇÃO
O aquecedor não se acender ou não permanece aceso	<ol style="list-style-type: none"> 1. Interruptor de acendimento na posição "0" 2. Falta de alimentação 3. Cabo de alimentação interrompido 4. Eletrónica a restabelecer ou defeituosa 5. Definição errada do termóstato ambiente (se presente) 6. Falta de combustível 7. Presença de substâncias estranhas no circuito do combustível 8. Temperatura definida no termóstato digital muito elevada 9. Parte eletrónica bloqueada 	<ol style="list-style-type: none"> 1. Colocar o interruptor de acendimento na posição "CHAMA" (C FIG. 3) 2a. Inserir corretamente o cabo de alimentação à tomada da rede elétrica (FIG. 5) 2b. Verificar a tensão correta do seu sistema 3. Consultar o centro de assistência 4a. Fazer o reset do aquecedor (VER PARÁG. "RESET DO AQUECEDOR") 4b. Consultar o centro de assistência 5. Atuar no termóstato ambiente, colocando-o em uma temperatura superior à do ambiente de trabalho (FIG. 6) 6. Reabastecer com combustível e eventualmente fazer reset ao aquecedor (VER PARÁG. "RESET DO AQUECEDOR") 7a. Esvaziar e encher o reservatório com combustível limpo 7b. Limpar os filtros (VER PARÁG. "LIMPEZA DE FILTROS") 7c. Consultar o centro de assistência 8. Baixar a temperatura definida no termóstato digital (VER PARÁG. "CONFIGURAÇÃO DO REGULADOR ELETRÓNICO") 9. Fazer o reset da parte eletrónica (VER PARÁG. "RESET DO AQUECEDOR")
O aquecedor produz fumo durante o funcionamento	<ol style="list-style-type: none"> 1. Presença de substâncias estranhas no circuito do combustível 2. Obstrução da tomada de ar na entrada 	<ol style="list-style-type: none"> 1a. Esvaziar e encher o reservatório com combustível limpo 1b. Limpar os filtros (VER PARÁG. "LIMPEZA DE FILTROS") 1c. Consultar o centro de assistência 2. Remover as possíveis obstruções da tomada de ar
O aquecedor não se desliga	<ol style="list-style-type: none"> 1. Temperatura definida no termóstato digital muito baixa 2. Defeito na parte eletrónica 	<ol style="list-style-type: none"> 1. Elevar a temperatura definida no termóstato digital (VER PARÁG. "CONFIGURAÇÃO DO REGULADOR ELETRÓNICO") 2. Consultar o centro de assistência

VIGTIGT: INDEN APPARATET SAMLES, TAGES I BRUG ELLER VEDLIGEHOLDES, SKAL BRUGERVEJLEDNINGEN LÆSES OG FORSTÅS. FEJLAGTIG BRUG AF VARMEAPPARATET KAN FORÅRSAGE ALVORLIGE ELLER DØDELIGE KVÆSTELSER. GEM MANUALEN FOR FREMTIDIG REFERENCE.

▶▶▶ 1. BESKRIVELSE

Denne serie af varmluftapparater, er særlig egnet til opvarmning af rum med mellem eller store dimensioner. Varmeapparaterne med indirekte varme (FIG. 1) takket være en intern varmeveksler, gør det muligt at udskille de forbrændingsgasser, der ellers ville blive udledt til det opvarmede miljø. På denne måde er det muligt at opnå en varm og ren luftstrøm i det rum, der skal opvarmes, og at lede de forbrændingsgasserne ud i åben luft.

Disse varmluftapparater er udviklet i overensstemmelse med de seneste kriterier for sikkerhed, funktionalitet og holdbarhed. Sikkerhedsanordningerne garanterer at varmeapparatet altid virker korrekt.

▶▶▶ 2. SIKKERHEDSINFORMATIONER ADVARSLER



VIGTIGT: Denne luftvarmer er designet til mobile og midlertidige professionel anvendelse. Den er ikke designet til husholdningsbrug eller til termisk komfort for mennesker.



VIGTIGT: Apparatet bør ikke anvendes af personer (inkl. børn) med nedsatte fysiske, sensoriske og mentale evner eller uerfarne personer, medmindre de bliver overvåget af en person, der er ansvarlig for deres sikkerhed. Børn skal overvåges for at sikre, at de ikke leger med apparatet.



FARE: Iltmangel på grund af kulilte dampe kan være dødeligt.

De første symptomer på kulilteforgiftning minder om symptomerne for influenza med hovedpine, svimmelhed og/eller kvalme. Disse symptomer kan skyldes en defekt på varmeapparatet. HVIS DISSE SYMPTOMER SKULLE OPSTÅ, SKAL MAN STRAKS SØGE UD I FRI LUFT og få varmeapparatet repareret af et teknisk servicecenter.

▶▶ 2.1. BRÆNDSTOFFÅFYLDNING:

- ▶ 2.1.1. Personalet, der påfylder brændstof, skal være kvalificeret og fuldt fortrolig med fabrikantens anvisninger og med de gældende regler for sikker brændstoffåfyldning af varmeapparater.
- ▶ 2.1.2. Anvend kun den type brændstof, der udtrykkeligt er angivet på varmeapparatets typeskilt.
- ▶ 2.1.3. Sluk varmeapparatet og vent til det er kølet ned før brændstoffåfyldning.
- ▶ 2.1.4. Beholderne til opbevaring af brændstoffet skal opbevares i en anden bygning.
- ▶ 2.1.5. Alle brændstofftanke skal befinde sig på sikker afstand af varmeapparatet i henhold til gældende regler.

- ▶ 2.1.6. Brændstoffet skal opbevares i rum, hvor gulvet ikke tillader gennemtrængning og drypning af brændstof på underliggende flammer der kan antænde brændstoffet.
- ▶ 2.1.7. Opbevaring af brændstof skal udføres i henhold til de gældende regler.

▶▶ 2.2. SIKKERHED:

- ▶ 2.2.1. Anvend aldrig varmeapparatet i rum, hvor der er benzin, opløsningsmidler eller andre letantændelige dampe.
- ▶ 2.2.2. Under brugen af varmeapparatet skal alle lokale vedtægter og gældende lovgivning følges.
- ▶ 2.2.3. Varmeapparater, der anvendes i nærheden af presenninger, telte eller lignende afdækningsmaterialer skal placeres i sikker afstand fra disse. Det anbefales også at bruge brandsikre afdækningsmaterialer.
- ▶ 2.2.4. Må kun anvendes i godt ventilerede rum. Sørg for, at der er en passende åbning i henhold til de gældende regler for at sikre, at der kommer frisk luft ind udefra.
- ▶ 2.2.5. Varmeapparatet må kun få strøm fra en strømkilde med den spænding og frekvens der er angivet på mærkepladen.
- ▶ 2.2.6. Anvend kun forlængerledninger med korrekt jordforbindelse.
- ▶ 2.2.7. De mindste anbefalede sikkerhedsafstande mellem varmeapparatet og brandbare stoffer er: Udgang foran = 2,5 m. Til siderne, over og bagtil = 1,5 m.
- ▶ 2.2.8. Placer varmeapparatet på et fast, plant underlag, når det er i drift eller er varmt, for at undgå risikoen for brand.
- ▶ 2.2.9. Hold kæledyr på sikker afstand af varmeapparatet.
- ▶ 2.2.10. Apparatet fjernes fra stikkontakten, når det ikke er i brug.
- ▶ 2.2.11. Når varmeapparatet er styret af en termostat, kan det tænde til enhver tid.
- ▶ 2.2.12. Anvend aldrig varmeapparatet i rum, hvor man opholder sig meget, eller i soveværelser.
- ▶ 2.2.13. Varmeapparatets luftindtag eller luftudgang må aldrig blokeres.
- ▶ 2.2.14. Apparatet må aldrig flyttes, håndteres, påfyldes eller vedligeholdes på nogen måde, når det er tilsluttet el-nettet eller er i drift.
- ▶ 2.2.15. Luftindtaget og/eller luftudgangen må ikke kanaliseres med mindre det foretages med originale kit (når det er forudset).
- ▶ 2.2.16. Hold brandbare og varmefølsomme materialer (inklusive strømkablet) i passende afstand fra varmeapparatets varme dele.
- ▶ 2.2.17. Hvis strømkablet forekommer beskadiget, skal det udskiftes af servicecenteret for at forebygge enhver risiko.
- ▶ 2.2.18. Under driften, skal det sikres at det relevante brandbekæmpelsesudstyr er klar til brug.

- 2.2.19. Hvis brænderen udskiftes, skal der anvendes originale reservedele, og specifikationerne for kapacitet, type af dyser og pumpetryk skal nøje overholdes. En forøgelse af brænderens kapacitet kan beskadige varmeapparatet.

► ► ► 3. UDPAKNING

ADVARSEL: EMBALLAGENS MATERIALE ER IKKE LEGETØJ FOR BØRN. HOLD PLASTIKPOSEN UTILGÆNGELIG FOR BØRN; KVÆLNINGSFARE!

- 3.1. Fjern al emballage, som er anvendt til at emballere og forsende varmeapparatet. Bortskaf den i henhold til gældende regler.
- 3.2. Hvis varmeapparatet er placeret på platformen, skal den forsigtigt løftes ned ved hjælp af egnede apparater og instrumenter, i henhold til de nationale bestemmelser og i overensstemmelse med gældende regler. Det er muligt at løfte apparatet med gaffeltrucken ved hjælp af egnede kæder og kroge til ophæng (varmeapparatet er udstyret med øjebolte).
- 3.3. Kontroller for eventuelle skader forårsaget under transporten. Hvis apparatet er beskadiget skal forhandleren, hvor apparatet er købt, straks informeres.

► ► ► 4. SAMLING

(FIG. 2)

Varmeapparaterne er udstyret med håndtag, beslag, understøtninger mv. afhængigt af modellen. Disse dele og de tilhørende monteringsdele findes i emballagen for varmeapparatet.

► ► ► 5. BRÆNDSTOF

ADVARSEL: VARMEAPPARATET VIRKER KUN MED DIESEL ELLER PETROLEUM.

Anvend kun diesel eller petroleum for at undgå risiko for brand eller eksplosion. Der må aldrig anvendes benzin, nafta, opløsningsmidler, sprit eller andre letantændelige brændstoffer.

Anvend ikke-giftige frostvæskeadditiver i tilfælde af meget lave temperaturer

Det anbefales at bruge vinterdiesel ved temperaturer under 5°C.

► ► ► 6. DRIFTSPRINCIPPER

Brænderens pumpe suger brændstof op af tanken og fører det til dysen under tryk, hvor det forstøves og blandes med forbrændingsluften i forbrændingskammeret. En gnist antænder forbrændingen, og røggasserne ledes ud gennem skorstenen. En række følere kontrollerer hele tiden, at varmeapparatet fungerer korrekt, og standser driften i tilfælde af fejl. Blæseren på bagsiden af varmeapparatet afkøler forbrændingskammeret og røgpasset ved at overføre varmen fra sidstnævnte til omgivelserne.

► ► ► 7. KONTROLPANEL

(FIG. 3)

A. Elektronisk reguleringsenhed.

- B. Timetæller
C. Afbryder.
D. Knap til kontrol af ventilationen.
E. Signallampe tilstedeværelse af elektrisk spænding.
F. Advarselsslampe blokering brænder.
G. Advarselsslampe blokering ventilation.
H. Advarselsslampe overtemperatur.
I. Reset af termostat for overtemperatur.
L. Stik brænder
M. Sikring.
N. Stik ekstern rumtermostat.

► ► ► 8. BRUG

ADVARSEL:

"SIKKERHEDSINFORMATIONERNE"
VARMEAPPARATET TÆNDES.

LÆS
FØR

da

► ► 8.1. TÆNDING AF VARMEAPPARATET:

- 8.1.1. Følg alle sikkerhedsinstrukser.
- 8.1.2. Tilslut brændstofrørene og respekter de korrekte indgående og udgående forbindelser (FIG. 4).
- 8.1.3. Kontroller, at der er brændstof i tanken.
- 8.1.4. Sæt stikket i stikkontakten (FIG. 5) (SE SPÆNDING I "TEKNISK DATATABEL").
- 8.1.5. Sæt afbryderen på "BRÆNDER" (C FIG. 3). Varmeapparatet kan tænde inden for få sekunder. Hvis varmeapparatet ikke tænder, henvises til afsnittet "IDENTIFIKATION AF PROBLEM".
- 8.1.6. Varmeapparatet kan anvendes i tilstanden med ventilator, for at aktivere denne funktion, placeres afbryderen på "VENTILATOR" (C FIG. 3).
- 8.1.7. Varmeapparatet er udstyret med en knap, der gør det muligt at kontrollere ventilationen (D FIG. 3).
-KNAP AKTIVERET: Ventilationen kører kontinuerligt (egnet til ekstern brug).
-KNAV DEAKTIVERET: Ventilationen styres automatisk (egnet til almindelig brug).
- 8.1.8. For modeller med rumtermostat, kontroller den indstillede temperatur (FIG. 6).

BEMÆRK: HVIS VARMEAPPARATET SLUKKER FORDI DER MANGLER BRÆNDSTOF, SKAL DER PÅFYLDES BRÆNDSTOF, OG DER SKAL UDFØRES RESET PÅ VARMEAPPARATET (SE AFSNIT "TÆNDING AF VARMEAPPARATET").

VIGTIGT: PÅ DE INDIREKTE MODELLER, KAN FORBRÆNDINGSPRODUKTET KANALISERES UDENFOR. UDFØR KANALISERINGEN I HENHOLD TIL GÆLDENDE STANDARDER OG OVERHOLD DE ANGIVELSER DER ER OPFØRT I DET RELEVANTE AFSNIT AF VEJLEDNINGEN.

► ► 8.2. SLUKNING AF VARMEAPPARATET:

Sæt afbryderen på positionen "0" (C FIG. 3). Flammen slukker og ventilatoren fortsætter med at køre indtil forbrændingskammeret er helt kølet ned. Træk ikke det elektriske stik ud inden cyklusen med nedkøling er helt færdig.

► ► ► 9. RESET AF VARMEAPPARATET

Hvis der opstår en fejl under den normale drift, slukker varmeapparatet.

For at genstarte varmeapparatet skal årsagen til at apparatet er blokeret identificeres og elimineres (f.eks. tilstopning af indgående og eller udgående luftindtag, ventilatorstop, brændstofmangel osv.). Hvis det problem, der forårsager blokeringen ikke kan fjernes, skal der tages kontakt til det tekniske servicecenter.

For at udføre reset af varmeapparatet, anbefales det at udføre følgende procedure (følg alle sikkerhedsanvisningerne):

► **RESET AF TERMOSTAT FOR OVERTEMPERATUR** [Advarselsslampe tændt (H FIG. 3)]: Varmeapparatet har nået den maksimale driftstemperatur. For at udføre reset af varmeapparatet, skal årsagen der har blokeret apparatet, fjernes (tag eventuelt kontakt til servicecenteret), fjern dækslet (FIG. 7), løsn hættten og tryk knappen helt i bund (I FIG. 3). Skru herefter hættten på igen og monter dækslet (FIG. 8).

► **RESET DEL BRÆNDEREN** [Advarselsslampe tændt (F FIG. 3) (FIG. 9)]: Der har været en fejl på brænderen under driften. For at udføre reset af brænderen, skal årsagen der har blokeret apparatet, fjernes (tag eventuelt kontakt til servicecenteret), fjern dækslet (FIG. 7) og tryk knappen ned i nogle sekunder (FIG. 10). monter herefter dækslet igen (FIG. 8).

► **RESET AF VENTILATIONSMOTOREN** [Advarselsslampe tændt (G FIG. 3)]: Ventilationsmotoren er blokeret eller virker med fejl. For at udføre reset af varmeapparatet, sættes afbryderen på positionen "0" (C FIG. 3) årsagen der har blokeret apparatet, fjernes (tag eventuelt kontakt til servicecenteret), og tænd for varmeapparatet igen.

►►► 10. KONFIGURERING AF DEN ELEKTRONISKE REGULERINGSENHED

VIGTIGT: DEN ELEKTRONISKE REGULERINGSENHED (ALLEREDE INDSTILLET FRA PRODUCENTEN), PÅVIRKER IKKE VARMEAPPARATETS FUNKTION, HVIS DEN IKKE NULSTILLES.

Den elektroniske reguleringsenhed (A FIG. 3) styrer tænding og slukning af ventilationen i fasen med foropvarmning og efter-ventilation på varmeapparatet.

I forhold til rumtemperaturen (meget varmt eller meget koldt klima), SE TAB. "KONFIGURERING AF DEN ELEKTRONISKE REGULERINGSENHED", kan det være nødvendigt at ændre referenceparameteren.

Procedure for konfiguration:

► 10.1. Kontroller at afbryderen er i positionen "0" og at stikket til strømforsyningen er tilsluttet det elektriske netværk.

► 10.2. Udfør følgende sekvens med tasterne:
-Tryk på tasten "SET".
-Få vist "SP2" ved at bladre med tasterne "▼" / "▲".
-Tryk på tasten "SET" for at få adgang.
-Indstil den ønskede temperatur med tasterne "▼" / "▲".
-Tryk på tasten "SET" for at bekræfte.

VIGTIGT: DEN ELEKTRONISKE REGULERINGSENHED ER IKKE EN RUMTERMOSTAT.

►►► 11. RENGØRING AF FILTRE

►► 11.1. UDSUGNINGSFILTER, AFHÆNGIG AF MODELLEN:

(FIG. 11)

Afhængig af brændstofkvaliteten der bruges. kan det være nødvendigt at rengøre filterne:

► 11.1.1. Fjern bægeret (A).

► 11.1.2. Træk filteret (B) ud af bægeret, og vær opmærksom på at gemme pakningerne.

► 11.1.3. Rens filteret (B) med rent brændstof, og vær opmærksom på ikke at beskadige det.

► 11.1.4. Sæt filteret (B) tilbage i bægeret.

► 11.1.5. Sæt bægeret (A) på plads igen, og vær opmærksom på at sætte pakningerne korrekt på igen.

►► 11.2. FILTER PÅ BRÆNDSTOFPUMPE:

Se programmet for forebyggende vedligeholdelse.

►►► 12. OPBEVARING OG TRANSPORT

ADVARSEL: INDEN APPARATET FLYTTES SKAL DET SLUKKES (E AFSNITTET "SLUKNING AF VARMEAPPARATET"), DEN ELEKTRISKE STRØMFORSYNING SKAL AFBRYDES VED AT TRÆKKE STIKKET UD AF STIKKONTAKTEN (FIG. 12) OG VENT, TIL VARMEAPPARATET ER HELT NEDKØLET. NÅR VARMEAPPARATET FLYTTES SKAL APPARATET HOLDES VANDRET.

For at opbevare varmeapparatet på bedst mulig måde, anbefales det at udføre følgende procedure (følg alle sikkerhedsanvisningerne):

► 12.1. Det er muligt at løfte apparatet med gaffeltrucken ved hjælp af egnede kæder og kroge til ophæng (varmeapparatet er udstyret med øjebolte).

► 12.2. For en bedre opbevaring af varmelegemet, anbefales det at opbevare det på et tørt sted, beskyttet mod beskadigelse.

►►► 13. TILSLUTNING AF RUMTERMOSTAT

På modeller hvor der kan udføres tilslutning til rumtermostat, skal hættten, der er tilsluttet varmeapparatet fjernes rumtermostaten tilsluttes (ekstraudstyr) (FIG. 13-14).

►►► 14. GODE RÅD FOR KANALISERING

(FIG. 15)

VIGTIGT: LUFTINDTAGET OG/ELLER -UDGANGEN MÅ IKKE KANALISERES MED MINDRE DET SKER MED ORIGINALE KIT (NÅR DET ER FORUDSET).

For at undgå problemer med varmeapparatet eller skader på mennesker, er det nødvendigt at være opmærksom på hvordan kanaliseringen til den varme luft udføres. For at reducere modstand for luftstrømmen tilrådes det at placere kanalerne så antallet af kurver reduceres og pludselige knæk undgås. De første meter skal udføres lige uden bøjninger.

ADVARSEL: FØR DER UDFØRES NOGEN FORM FOR VEDLIGEHOLDELSE ELLER REPARATION, SKAL STRØMKABLET FRAKOBLES STRØMFORSYNINGEN, OG DET SKAL SIKRES, AT VARMEAPPARATET ER KOLDT.

► ► ► 15. PROGRAM FOR FOREBYGGENDE VEDLIGEHOLDELSE

DEL	VEDLIGEHOLDELSESINTERVAL	VEDLIGEHOLDELSESPROCEDURE
Filtre	Rengør og udskift én gang om året eller efter behov (kontroller integriteten)	Rengør filtrene (SE AFSNITTET "RENGØRING AF FILTRE")
Filter brændstofpumpe	Rengør og udskift én gang om året eller efter behov (kontroller integriteten)	Kontakt servicecenteret
Elektroder	Rengør efter behov	Kontakt servicecenteret
Blæser	Rengør efter behov	Kontakt servicecenteret
Forbrændingskammer	Rengør efter behov	Kontakt servicecenteret

da

► ► ► 16. IDENTIFIKATION AF PROBLEM

PROBLEM	MULIG ÅRSAG	MULIG LØSNING
Varmeapparatet starter ikke eller forbliver ikke tændt	<ol style="list-style-type: none"> Afbryderen er i positionen "0" Ingen strømtilførsel Strømkablet er afbrudt Elektronik skal resettes eller er defekt Forkert indstilling af rumtermostaten (hvis tilsluttet) Der mangler brændstof Der er fremmedlegemer i brændstofs kredsløbet Temperaturen indstillet på den digitale termostat er for høj Elektronik blokeret 	<ol style="list-style-type: none"> Placer afbryderen i positionen "BRÆNDER" (C FIG. 3) 2a. Sæt forsyningskablet korrekt i stikkontakten (FIG. 5) 2b. Kontroller, at forsyningsanlægget har den rette spænding 3. Kontakt servicecenteret 4a. Udfør reset af varmeapparatet (SE AFSNITTET "RESET AF VARMEAPPARATET") 4b. Kontakt servicecenteret 5. Indstil termostaten til en højere temperatur end arbejdsmiljøets (FIG. 6) 6. Fyld brændstof på og reset eventuelt varmeapparatet (SE AFSNITTET "RESET AF VARMEAPPARATET") 7a. Tøm og fyld tanken med rent brændstof 7b. Rengør filtrene (SE AFSNITTET "RENGØRING AF FILTRE") 7c. Kontakt servicecenteret 8. Sænk temperaturen indstillet på den digitale termostat (SE AFSNITTET "KONFIGURERING AF DEN ELEKTRONISKE REGULERINGSENHED") 9. Udfør reset af elektronikken (SE AFSNITTET "RESET AF VARMEAPPARATET")
Varmeapparatet ryger under drift	<ol style="list-style-type: none"> Der er fremmedlegemer i brændstofs kredsløbet Luftindtaget er blokeret 	<ol style="list-style-type: none"> 1a. Tøm og fyld tanken med rent brændstof 1b. Rengør filtrene (SE AFSNITTET "RENGØRING AF FILTRE") 1c. Kontakt servicecenteret 2. Fjern alle tænkelige hindringer på luftindtaget
Varmeapparatet slukker ikke	<ol style="list-style-type: none"> Temperaturen indstillet på den digitale termostat er for lav Elektronikfejl 	<ol style="list-style-type: none"> 1. Skru op for temperaturen indstillet på den digitale termostat (SE AFSNITTET "KONFIGURERING AF DEN ELEKTRONISKE REGULERINGSENHED") 2. Kontakt servicecenteret

TÄRKEÄÄ: LUE JA YMMÄRRÄ TÄMÄ KÄYTTÖOPAS ENNEN TÄMÄN LÄMMITYSLAITTEEN KOKOAMISTA, KÄYTTÖNOTTOA TAI HUOLTOA. LÄMMITYSLAITTEEN VÄÄRÄ KÄYTTÖ VAI AIHEUTTAA VAKAVIA HENKILÖVAHINKOJA. SÄILYTÄ TÄTÄ KÄYTTÖOHJETTA TULEVAA TARVETTA VARTEN.


►►► **1. KUVAUS**


Tämän sarjan kuumailmalämmityslaitteet sopivat erityisesti keskisuurten ja suurten tilojen lämmittämiseen.

Epäsuoran lämmityksen lämmityslaitteet (KUVA 1) pystyvät sisäisen lämmönvaihtimen avulla erottamaan palamiskaasut ympäristöön päästettävästä kuumasta ilmasta. Tällä tavoin on mahdollista saada kuumaa puhdasta ilmaa lämmitettävään tilaan ja ohjata palamistuotteet ulos.

Nämä kuumailmalämmityslaitteet on suunniteltu uusimpien turvallisuus-, toimivuus- ja kestävyyskriteereiden mukaan. Turvalaitteet takaavat, että lämmityslaitte toimii aina oikealla tavalla.

►►► **2. TIETOA TURVALLISUUDESTA VAROITUKSET**

 **TÄRKEÄÄ:** Lämmityslaitte on tarkoitettu liikkuviin ja väliaikaisiin ammattimaisiin sovelluksiin. Sitä ei ole tarkoitettu kotitalouskäyttöön eikä henkilökohtaiseen lämmitykseen.

 **TÄRKEÄÄ:** Tämä laite ei sovellu fyysisesti tai henkisesti rajoittuneiden henkilöiden käyttöön (lapset mukaan lukien) tai henkilöiden, joilla ei ole käyttöön liittyvää kokemusta, ellei heidän toimintaansa valvo ja opeta heidän turvallisuudesta vastaavat henkilöt. Lapsia on valvottava, jotta varmistetaan että he eivät leiki laitteella.

 **VAARA:** Hiilimonoksidi voi olla hengenvaarallista.

Ensimmäiset hängämyrkytyksen oireet muistuttavat influenssaa sisältäen päänsärkyä, huimausta ja/tai pahoinvointia. Kyseiset oireet voivat johtua lämmityslaitteen viallisesta toiminnasta. JOS NÄITÄ OIREITA ILMENEE, SIIRRY HETI ULKOILMAAN ja anna lämmityslaitte korjattavaksi tekniseen huoltokeskukseen.

►►► **2.1. TANKKAUS:**

- 2.1.1. Tankkauksesta huolehtivan henkilöstön on oltava ammattitaitoinen ja tunnettava valmistajan antamat ohjeet sekä generaattoreiden turvalliseen tankkaamiseen liittyvät voimassa olevat määräykset.
- 2.1.2. Käytä yksinomaan lämmityslaitteen kilvessä mainittua polttoainetyyppeä.
- 2.1.3. Ennen tankkauksen suorittamista sammuta lämmityslaitte ja odota, että se jäähtyy.
- 2.1.4. Polttoaineen varastointisäiliöitä on pidettävä erillisessä rakennuksessa.
- 2.1.5. Kaikkia polttoainesäiliöitä on säilytettävä voimassa olevien määräysten mukaisella turvaetäisyydellä lämmittimestä.

- 2.1.6. Polttoainetta on säilytettävä tiloissa joiden lattia ei salli sen tunkeutumista ja tihkumista alla oleviin liekkeihin, jotka voivat saada sen syttymään.
- 2.1.7. Polttoainetta on säilytettävä voimassa olevien asetusten mukaisesti.
- **2.2. TURVALLISUUS:**
- 2.2.1. Älä koskaan käytä lämmityslaitetta tiloissa joissa on bensiiniä, maaleille tarkoitettuja liuotainaineita tai muita erittäin tulenarkoja höyryjä.
- 2.2.2. Lämmityslaitteen käytön aikana noudata kaikkia paikallisia määräyksiä ja voimassa olevia lakeja.
- 2.2.3. Lähellä pressuja, verhoja tai muita samankaltaisia peitemateriaaleja käytettyjä lämmityslaitteita on pidettävä turvaetäisyydellä niistä. Palonkestävien peitemateriaalien käyttö on lisäksi suositeltavaa.
- 2.2.4. Käytä yksinomaan kunnolla tuuletetuissa tiloissa. Valmistelee sopiva ilmanottoaukko voimassa olevien määräysten mukaisesti, jotta raikasta ilmaa saatasiin ulkoa.
- 2.2.5. Syötä generaattoriin yksinomaan sen tunnistekilvessä merkittyä sähköjännitettä ja -taajuutta.
- 2.2.6. Käytä ainoastaan sopivia maadoitettuja jatkojohtoja.
- 2.2.7. Suositellut turvaetäisyydet lämmityslaitteen ja syttyvien aineiden välillä ovat: etuosan ulostulo = 2,5 m; sivussa, yläpuolella ja takana = 1,5 m.
- 2.2.8. Aseta kuuma, käynnissä oleva lämmityslaitte vakaalle ja tasaiselle pinnalle, jotta tulipalovaaraa voitaisiin välttää.
- 2.2.9. Pidä eläimiä turvaetäisyydellä lämmityslaitteesta.
- 2.2.10. Kytke lämmityslaitte irtiverkkopistokkeesta, kun sitä ei käytetä.
- 2.2.11. Termostaatin ohjaama lämmityslaitte voi käynnistyä minä hetkenä hyvänsä.
- 2.2.12. Älä koskaan käytä lämmityslaitetta yleisesti asutuissa tiloissa äläkä makuuhuoneissa.
- 2.2.13. Älä tuki koskaan lämmittimen ilmanottoaukkoa tai ilman poistumistietä.
- 2.2.14. Kun lämmityslaitte on kuuma, sähköverkkoon kytketty tai käynnissä, sitä ei saa koskaan siirtää, käsitellä, tankata tai huoltaa miltään osin.
- 2.2.15. Vältä tuloilman ja/tai poistoilman kanavointia muilla kuin alkuperäisillä lisäosilla (jos käytössä).
- 2.2.16. Säilytä syttyvät ja lämmölle alttiita materiaaleja (mukaan lukien virtajohto) riittävällä etäisyydellä lämmittimen kuumista osista.

- ▶ 2.2.17. Jos virtajohto vahingoittuu, vaihdata se uuteen teknisessä huollossa, jotta riskeiltä välttyttäisiin.
- ▶ 2.2.18. Toiminnan aikana on varmistettava, että sammutuslaitteet ovat valmiina käyttöön.
- ▶ 2.2.19. Polttimen vaihtotapauksessa on käytettävä alkuperäisiä varaosia ja noudatettava tarkasti määritettyä kapasiteettia, suutintyyppiä ja pumpun painetta. Polttimen tehon lisäys voi vaurioittaa lämmitintä.

▶▶▶ 3. PAKKAUKSEN PURKAMINEN

VAROITUS: PAKKAUSMATERIAALI EI OLE LASTEN LEIKKIKALU. SÄILYÄ MUOVIPUSSIA LASTEN ULOTTUMATTOMISSA; AIHEUTTAA TUKEHTUMISVAARAN!

- ▶ 3.1. Poista kaikki lämmittimen pakkaukseen ja lähetykseen käytetyt päällystemateriaalit. Hävitä ne voimassa olevien määräysten mukaan.
- ▶ 3.2. Jos lämmityslaite sijaitsee korokkeella, laske se varoen alas käyttämällä sopivia laitteita ja välineitä, kansallisten määräysten ja voimassa olevien lakien mukaisesti. Laite voidaan nostaa haarukkatrukilla, soveltuvien ketjujen ja kannatuskoukkujen avulla (lämmityslaite on varustettu silmukkapulteilla).
- ▶ 3.3. Tarkista mahdolliset kuljetuksen aikana syntyneet vauriot. Jos lämmityslaite näyttää vahingoittuneelta, ilmoita siitä välittömästi liikkeeseen, josta se hankittiin.

▶▶▶ 4. KOKOONPANO

(KUVA 2)

Nämä lämmityslaitteet on varustettu kahvoilla, kiinnikkeillä, kannattimilla jne. mallista riippuen. Kyseiset osat on asetettu vastaavien asennusruuvien kanssa lämmityslaitteen pakkaukseen.

▶▶▶ 5. POLTTOAINE

VAROITUS: LÄMMITIN TOIMII VAIN DIESELILLÄ TAI PETROLILLA.

Käytä yksinomaan dieseliä tai petrolia, jotta tulipalotai räjähdysvaaralta välttyttäisiin. Älä koskaan käytä bensiiniä, öljyä, maaleille tarkoitettuja liuottimia tai muita erittäin tulenarkoja polttoaineita.

Käytä myrkyttömiä jäänestoaineita, jos lämpötila on hyvin alhainen.

Suosittelimme käyttämään talvikäyttöön tarkoitettua dieseliä alle 5°C lämpötiloissa.

▶▶▶ 6. TOIMINTAPERIAATE

Polttimen pumppu imee polttoaineen säiliöstä ja lähettää sen paineella suuttimeen, jossa se sumutetaan ja sekoitetaan palamisilmaan palamiskammiossa. Kipinä sytyttää palamisen samalla kun savut erotetaan savupiippuun. Sarja antureita seuraa jatkuvasti lämmittimen toimintaa, ja pysäyttää toiminnan häiriötapauksissa. Lämmittimen takaosaan sijoitetun puhaltimen tehtävänä on jäähdyttää palamiskammiota ja savuputkea, välittämällä näiden lämpö ympäristöön.

▶▶▶ 7. OHJAUSPANEELI

(KUVA 3)

- A. Elektroninen säädin.
- B. Tuntilaskuri.
- C. Käynnistyskytkin.
- D. Tuuletuksen ohjauspainike.
- E. Sähkövirran merkkivalo.
- F. Polttimen lukituksen hälytysvalo.
- G. Tuuletuksen lukituksen hälytysvalo.
- H. Ylikuumenemisen hälytysvalo.
- I. Ylikuumenemisen termostaatin nollaus (reset).
- L. Polttimen liitin.
- M. Sulake.
- N. Ulkoisen huonetermostaatin liitin.

▶▶▶ 8. TOIMINTA

VAROITUS: LUE HUOLELLISESTI KOHTA "TIETOA TURVALLISUUDESTA", ENNEN LÄMMITTIMEN KÄYNNISTÄMISTÄ.

▶▶▶ 8.1. LÄMMITYSLAITTEEN KÄYNNISTYS:

- ▶ 8.1.1. Noudata kaikkia turvallisuuteen liittyviä ohjeita.
- ▶ 8.1.2. Liitä polttoaineen putket noudattamalla sisään- ja ulostuloliittimien oikeita liitäntöjä (KUVA 4).
- ▶ 8.1.3. Tarkista, että säiliössä on polttoainetta.
- ▶ 8.1.4. Yhdistä virransyöttöjohto sähköverkkoon (KUVA 5) (KATSO JÄNNITE KOHDASSA "TEKNISTEN TIETOJEN TAULUKKO").
- ▶ 8.1.5. Aseta käynnistyskytkin asentoon "LIEKKI" (C KUVA 3). Lämmityslaitteen tulisi käynnistyä muutaman sekunnin sisällä. Jos lämmitin ei käynnisty, katso kappale "VIANMÄÄRITYS".
- ▶ 8.1.6. Lämmityslaitetta voidaan käyttää tuuletilassa, tämän toiminnon aktivoimiseksi, aseta käynnistyskytkin asentoon "TUULETIN" (C KUVA 3).
- ▶ 8.1.7. Lämmityslaite sisältää painikkeen, joka sallii tuuletuksen valvonnan (D KUVA 3).
-PAINIKE PÄÄLLÄ: Tuuletus toimii jatkuvana (ideaalinen äärimmäisiin käyttöolosuhteisiin).
-PAINIKE POIS PÄÄLTÄ: Tuuletus toimii automaattisesti (normaalitoiminta).
- ▶ 8.1.8. Malleissa joissa on huonetermostaatti, tarkista asetettu lämpötila (KUVA 6).

HUOM: JOS LÄMMITYSLAITTEEN SÄMUMINEN JOHTUU POLTTOAINEEN LOPPUMISESTA, LISÄÄ POLTTOAINETTA SÄILIÖÖN JA NOLLAA LÄMMITYSLAITE (KS. KAPPALE "LÄMMITYSLAITTEEN NOLLAUS").

TÄRKEÄÄ: EPÄSUORAN LÄMMITYKSEN MALLEISSA PALAMISTUOTTEET VOIDAAN KANAVOIDA ULKOILMAAN. SUORITA KANAVOINTI VOIMASSAOLEVIENMÄÄRÄYSTEN MUKAISESTI JA NOUDATA ASIAA KOSKEVASSA KÄYTTÖOPPAAN OSASSA ANNETTUJA OHJEITA.

▶▶▶ 8.2. LÄMMITYSLAITTEEN SÄMUTUS:

Aseta käynnistyskytkin asentoon "0" (C KUVA 3). Liekki sammuu ja puhallin jatkaa toimintaansa, kunnes polttokammio on täysin jäähtynyt. Älä irrota sähköpistoketta, ennen kuin jäähdytysjakso on päättynyt.

►►► 9. LÄMMITYSLAITTEEN NOLLAUS

Jos normaalissa käytössä huomataan häiriöitä, lämmityslaitte sammuu.

Lämmityslaitteen käyttöönottoa varten on tunnistettava ja poistettava ongelma, joka aiheutti lukituksen (esimerkiksi, ilman sisäännoton ja/tai ulostulon tukkeutuminen, puhaltimen pysähtyminen, polttoaineen puuttuminen jne.). Jos lukituksen aiheuttamaa ongelmaa ei pystytä poistamaan, anna laitteen ongelma teknisen huoltopalvelun hoidettavaksi.

Lämmityslaitteen nollaamiseksi suosittelemme toimimaan seuraavasti (noudata kaikkia turvallisuutta koskevia ohjeita):

► YLIKUUMENTUMISEN TERMOSTAATIN NOLLAUS

[Merkkivalo palaa (H KUVA 3)]: Lämmityslaitte on saavuttanut toiminnan maksimilämpötilan. Lämmityslaitteen nollaamiseksi poista eston aiheuttaja (tarvittaessa käänny teknisen huollon puoleen), poista suoja (KUVA 7), avaa korkki ja paina painike pohjaan (I KUVA 3). Tämän jälkeen kierrä korkki kiinni ja palauta suoja paikalleen (KUVA 8).

► POLTTIMEN NOLLAUS [Merkkivalo palaa (F KUVA 3) (KUVA 9)]: Polttimen toimintaan on tullut häiriö. Polttimen nollaamiseksi poista eston aiheuttaja (tarvittaessa käänny teknisen huollon puoleen), poista suoja (KUVA 7) ja paina painike pohjaan muutamaksi sekunniksi (KUVA 10). Tämän jälkeen palauta suoja paikalleen (KUVA 8).

► TUULETTIMEN MOOTTORIN NOLLAUS [Merkkivalo palaa (G KUVA 3)]: Tuuletusmoottori on jumissa tai toimii huonosti. Lämmittimen nollaamiseksi, aseta käynnistyskytkin asentoon "0" (C KUVA 3), poista eston aiheuttaja (tarvittaessa käänny teknisen huollon puoleen) ja käynnistä lämmitin uudelleen.

►►► 10. ELEKTRONISEN SÄÄTIMEN KONFIGUROINTI

TÄRKEÄÄ: ELEKTRONINEN SÄÄDIN (VALMISTAJAN VALMIIKSI SÄÄTÄMÄ), EI VAARANNALÄMMITTIMEN HYVÄÄ TOIMINTAA, ELLEI SIIHEN TEHDÄ UUSIA ASETUKSIA.

Elektroninen säädin (A KUVA 3) ohjaa tuulettimen käynnistystä ja sammutusta lämmittimen esilämmitys- ja jälkituuletusvaiheissa.

Ympäristön lämpötilasta riippuen (erittäin kylmä tai erittäin lämmin ilmasto, KS. TAUL. "ELEKTRONISEN SÄÄTIMEN KONFIGUROINTI"), voi olla tarpeen muokata viiteparametria.

Konfigurointitoimenpiteet:

- 10.1. Varmista, että käynnistyskytkin on asennossa "0" ja virtapistoke on liitetty sähköverkkoon.
- 10.2. Suorita seuraava näppäinsarja:
 - Paina näppäintä "SET".
 - Näytä "SP2" selaamalla näppäimillä "▼" / "▲".
 - Paina näppäintä "SET" kirjautuaksesi sisään.
 - Aseta haluttu lämpötila näppäimillä "▼" / "▲".
 - Paina näppäintä "SET" vahvistamiseksi.

TÄRKEÄÄ: ELEKTRONINEN SÄÄDIN EI TOIMI HUONETERMOSTAATTINA.

►►► 11. SUODATTIMIEN PUHDISTUS

►► 11.1. IMUSUODATIN, MALLISTA RIIPPUEN: (KUVA 11)

Käytettävän polttoaineen laadusta riippuen suodattimien puhdistaminen voi tulla tarpeelliseksi:

- 11.1.1. Poista lasi (A).
- 11.1.2. Vedä suodatin (B) ulos lasista, ja pidä tiivisteet huolellisesti tallessa.
- 11.1.3. Puhdista suodatin (B) puhtaalla polttoaineella, varoen vahingoittamasta sitä.
- 11.1.4. Asenna suodatin (B) takaisin lasiin.
- 11.1.5. Asenna lasi (A) takaisin ja asenna tiivisteet tarkasti takaisin omalle paikalleen.

►► 11.2. POLTTOAINEPUMPUN SUODATIN:

Katso esihuolto-ohjelma.

►►► 12. SÄILYTYS JA KULJETUS

VAROITUS: ENNEN MINKÄÄNLAISTA SIIRTÄMISTÄ SAMMUTA LÄMMITYSLAITE (KS. KAPPALE "LÄMMITYSLAITTEEN SAMMUTUS"), KYTKE SÄHKÖVIRTAA POIS PÄÄLTÄ, IRROTTAMALLA PISTOKE SÄHKÖRASIESTA (KUVA 12) JA ODOTA, ETTÄ LÄMMITYSLAITE JÄÄHTYY KOKONAAN. KUN LIIKUTAT LÄMMITYSLAITETTA, PIDÄ SE VAKAASSA ASENNOSSA.

Lämmityslaitteen hyvän säilymisen takaamiseksi suosittelemme toimimaan seuraavasti (noudata kaikkia turvallisuutta koskevia ohjeita):

- 12.1. Laitte voidaan nostaa haarukkatrukilla, soveltuvien ketjujen ja kannatuskoukkujen avulla (lämmityslaitte on varustettu silmukkapulteilla).
- 12.2. Lämmittimen hyvän säilymisen takaamiseksi suosittelemme sijoittamaan sen kuivaan paikkaan ja suojaan mahdollisilta vaurioilta.

►►► 13. HUONETERMOSTAATIN KYTKENTÄ

Malleissa, joissa on mahdollisuus huonetermostaatin kytkemiseen, poista lämmityslaitteeseen liitetty korkki ja liitä siihen huonetermostaatti (lisävaruste) (KUVA 13-14).

►►► 14. KANAVOINTIOHJEET

(KUVA 15)

TÄRKEÄÄ: VÄLTÄ TULOILMAN JA/TAI POISTOILMAN KANAVOINTIA MUILLA KUIN ALKUPERÄISILLÄ LISÄOSILLA (JOS KÄYTÖSSÄ).

Lämmittimen toimintaongelmien tai henkilövahinkojen välttämiseksi on välttämätöntä kiinnittää huomiota ilman kanavointiputkien sijoitteluun. Ilmavirtauksen vastusten vähentämiseksi suosittelemme sijoittamaan kanavointiputket välttäen mutkia ja teräviä taitoksia. Ensimmäisillä metreillä ei saa olla mutkia.

VAROITUS: ENNEN MINKÄ TAHANSA HUOLTO- TAI KORJAUSTYÖN SUORITTAMISTA KYTKE VIRTAJOHTO IRTI SÄHKÖVERKOSTA JA VARMISTA, ETTÄ LÄMMITYSLAITE ON KYLMÄ.

► ► ► 15. ENNALTAEHKÄISEVÄN HUOLLON OHJELMA

KOMPONENTTI	HUOLTOVÄLI	HUOLTOTOIMENPIDE
Suodattimet	Puhdista ja vaihda kerran vuodessa tai tarvittaessa (tarkista ehjyys)	Puhdista suodattimet (KS. KAPPALE "SUODATTIMIEN PUHDISTUS")
Polttoainepumpun suodatin	Puhdista ja vaihda kerran vuodessa tai tarvittaessa (tarkista ehjyys)	Käännä teknisen huollon puoleen
Elektrodit	Puhdista tarvittaessa	Käännä teknisen huollon puoleen
Puhallin	Puhdista tarvittaessa	Käännä teknisen huollon puoleen
Palamiskammio	Puhdista tarvittaessa	Käännä teknisen huollon puoleen

► ► ► 16. VIANMÄÄRITYS

ONGELMA	MAHDOLLINEN SYY	MAHDOLLINEN RATKAISU
Lämmitin ei käynnisty tai ei pysy päällä	<ol style="list-style-type: none"> Käynnistyskytkin asennossa "0" Virta puuttuu Virtajohto katkaistu Nollattava tai viallinen elektroniikka Huonetermostaatin virheellinen asetus (jos käytössä) Polttoainetta puuttuu Polttoaineen kierrossa vieraita aineita Digitaaliseen termostaattiin säädetty lämpötila on liian korkea Elektroniikka lukittu 	<ol style="list-style-type: none"> Aseta käynnistyskytkin asentoon "LIEKKI" (C KUVA 3) 2a. Aseta virtajohto oikein sähköpistorasiaan (KUVA 5) 2b. Tarkista järjestelmäsi oikea jännite 3. Käännä teknisen huollon puoleen 4a. Nollaa lämmityslaite (KS. KAPPALE "LÄMMITYSLAITTEEN NOLLAUS") 4b. Käännä teknisen huollon puoleen 5. Sääda huonetermostaattia vaihtamalla sen asetuslämpötila työympäristön lämpötilaa korkeampaan lämpötilaan (KUVA 6) 6. Täytä polttoainetta ja tarvittaessa nollaa lämmitin (KS. KAPPALE "LÄMMITYSLAITTEEN NOLLAUS") 7a. Tyhjennä ja täytä säiliö puhtaalla polttoaineella 7b. Puhdista suodattimet (KS. KAPPALE "SUODATTIMIEN PUHDISTUS") 7c. Käännä teknisen huollon puoleen 8. Laske digitaaliseen termostaattiin asetettua lämpötilaa (KS. KAPPALE "ELEKTRONISEN SÄÄTIMEN KONFIGUROINTI") 9. Nollaa elektroniikka (KS. KAPPALE "LÄMMITYSLAITTEEN NOLLAUS")
Lämmitin tuottaa savua toiminnan aikana	<ol style="list-style-type: none"> Polttoaineen kierrossa vieraita aineita Tuloilmanottoaukon tukos 	<ol style="list-style-type: none"> 1a. Tyhjennä ja täytä säiliö puhtaalla polttoaineella 1b. Puhdista suodattimet (KS. KAPPALE "SUODATTIMIEN PUHDISTUS") 1c. Käännä teknisen huollon puoleen 2. Poista kaikki mahdolliset tukokset ilmanottoaukosta
Lämmitin ei sammuu	<ol style="list-style-type: none"> Digitaaliseen termostaattiin säädetty lämpötila on liian matala Elektroniikkavika 	<ol style="list-style-type: none"> 1. Nosta digitaaliseen termostaattiin asetettua lämpötilaa (KS. KAPPALE "ELEKTRONISEN SÄÄTIMEN KONFIGUROINTI") 2. Käännä teknisen huollon puoleen

VIKTIG: LES OG FORSTÅ DENNE BRUKSANVISNINGEN FØR MONTERING, IGANGKJØRING ELLER VEDLIKEHOLD AV DETTE VARMEAPPARATET. FEIL BRUK AV VARMEAPPARATET KAN RESULTERE I ALVORLIGE ELLER DØDELIGE SKADER. TA VARE PÅ DENNE BRUKSANVISNINGEN FOR FREMTIDIG REFERANSE.

►►► 1. BESKRIVELSE

Denne serien av varmlufts varmeapparater er spesielt egnet for oppvarming av lokaler eller rom av middels eller stor størrelse.

Varmeapparat med indirekte oppvarming (FIG. 1) takket være en innvendig varmeveksler, tillates separering av forbrenningsgass fra den varme luften som slippes ut i omgivelsene. På denne måten er det mulig å ha en strøm av ren varm luft i det området som skal varmes opp og lede forbrenningsprodukter på utsiden.

Disse varmlufts varmeapparatene har blitt utformet i henhold til de mest moderne standarder for sikkerhet, funksjonalitet og holdbarhet. Sikkerhetsinnretningene sørger alltid for riktig funksjon av varmeapparatet.

►►► 2. SIKKERHETSINFORMASJON

ADVARSLER



VIKTIG: Denne luftvarmeren er designet for mobile og midlertidige profesjonelle applikasjoner. Den er ikke beregnet for husholdningsbruk eller oppvarming av personer.



VIKTIG: Apparatet er ikke egnet for personer (inkludert barn) med reduserte fysiske, sensoriske eller mentale evner, eller manglende erfaring og kunnskap, med mindre de kontrolleres av en person som er ansvarlig for deres sikkerhet. Barn må kontrolleres, slik at de ikke leker med apparatet.



FARE: Asfyksi etter inhalering av karbonmonoksid kan være dødelig.

De første symptomene på asfyksi fra karbonmonoksid ligner på influensasymptomer, med hodepine, svimmelhet, og/eller kvalme. De nevnte symptomene kan være forårsaket av en funksjonsfeil på varmeapparatet. **DER SOM SLIKE SYMPTOMER SKULLE FOREKOMME, GÅ UMIDDELBART UTENDØRS** og lever apparatet til reparasjon ved et teknisk assistansesenter.

►►► 2.1. PÅFYLLING:

- 2.1.1. Personellet som skal utføre påfyllingen, må være kvalifisert og ha full oversikt over produsentens instruksjoner og det gjeldende regelverket om sikker fylling av varmeapparater.
- 2.1.2. Anvend kun den type drivstoff som er eksplisitt angitt på varmeapparatets merkeskilt.
- 2.1.3. Før fylling av drivstoff, slå av varmeapparatet og vent på at det avkjøles.
- 2.1.4. Drivstofftankene bør oppbevares i en separat bygning.
- 2.1.5. Alle drivstofftanker må plasseres på en minste sikkerhetsavstand fra varmeapparatet, i henhold til gjeldende regelverk.

- 2.1.6. Drivstoffet skal oppbevares i rom der gulvet ikke tillater inntrengning og drypp av drivstoffet på underliggende flammer, som kan antenne drivstoffet.

- 2.1.7. Oppbevaring av drivstoffet skal gjøres i henhold til gjeldende regelverk.

►►► 2.2. SIKKERHET:

- 2.2.1. Bruk aldri varmeapparatet i rom med bensin, løsemidler for maling eller andre lettantennelige gasser.

- 2.2.2. Ved bruk av varmeapparatet må du følge alle lokale forskrifter og gjeldende regelverk.

- 2.2.3. Varmeapparat brukt i nærheten av gardiner eller andre draperier, skal holdes på sikkerhetsavstand fra disse. Det er anbefalt å bruke brannsikre draperier.

- 2.2.4. Skal brukes på godt ventilerte områder. Innrett et egnet område i henhold til gjeldende forskrifter, slik at fuktig luft kan komme utenfra.

- 2.2.5. Forsyn varmeapparatet kun med den spenning og frekvens som er angitt på merkeskiltet.

- 2.2.6. Bruk bare skjøteledninger med egnet jording.

- 2.2.7. Minimums sikkerhetsavstander, anbefalte, mellom varmeapparatet og brennbart materiale er: utgang foran = 2,5 m; på siden, i høyden og på baksiden = 1,5 m.

- 2.2.8. Sett varmeapparatet på en jevn og stabil overflate når det er varmt eller i drift, for å unngå brannfare.

- 2.2.9. Hold dyr på sikker avstand fra varmeapparatet.

- 2.2.10. Koble fra stikkkontakten på varmeapparatet når det ikke er i bruk.

- 2.2.11. Når varmeapparatet kontrolleres av en termostat, kan det slå seg på til enhver tid.

- 2.2.12. Bruk aldri varmeapparatet i rom man ofte oppholder seg i, heller ikke soverom.

- 2.2.13. Ikke blokker luftinntaket eller luftutløpet på varmeapparatet.

- 2.2.14. Når varmeapparatet er varmt, eller koblet til elektrisk strøm eller er i funksjon, må det aldri flyttes, håndteres, påfylles brennstoff eller utføres vedlikehold på.

- 2.2.15. Unngå å lede luft i inngang og/eller utgang uten bruk av originale kanal-sett (der dette er relevant).

- 2.2.16. Hold brennbare eller varmfølsomme materialer (inkludert strømkabelen) på tilstrekkelig avstand fra de varme delene av varmeapparatet.

- 2.2.17. Hvis strømledningen er skadet må den, for å unngå enhver risiko, byttes ut av teknisk service.

- ▶ 2.2.18. Under drift, sørg for at brannslukkingsapparatene er klare til bruk.
- ▶ 2.2.19. Ved utskiftning av brenner, bruk originale reservedeler, følg nøye alle henvisninger om kapasitet, type dyse og pumpetrykk. En økning i effekten til brenneren kan skade varmeapparatet.

▶▶▶ 3. UTPAKKING

ADVARSEL: MATERIALET FRA EMBALLASJEN ER IKKE ET LEKETØY FOR BARN. HOLD PLASTPOSEN UTILGJENGELIG FOR BARN; FARE FOR KVELNING!

- ▶ 3.1. Fjern alt emballasjematerialet som er brukt til å pakke inn og sende varmeapparatet. Kasser dette i henhold til gjeldende forskrifter.
- ▶ 3.2. Hvis varmeapparatet er plassert på plattformen, senk den forsiktig ved hjelp av egnede innretninger og instrumenter, i samsvar med nasjonale forskrifter og gjeldende standarder. Det kan løftes med gaffeltruck, ved hjelp av egnede kjeder og hengekroker (varmeapparatet er utstyrt med øyebolter).
- ▶ 3.3. Kontroller eventuelle skader som er påført under transporten. Dersom varmeapparatet er skadet, må dette umiddelbart meldes fra til forhandleren der det ble kjøpt.

▶▶▶ 4. MONTERING

(FIG. 2)

Disse varmeapparatene er utstyrt med håndtak, braketter, støtter, osv., avhengig av modellen. Disse komponentene, inkludert tilhørende monteringsbolter, ligger i varmeapparatets emballasje.

▶▶▶ 5. DRIVSTOFF

ADVARSEL: VARMEAPPARATET FUNGERER BARE MED DIESEL ELLER PARAFIN.

Anvend kun diesel eller parafin, for å unngå brann- og eksplosjonsfare. Bruk aldri bensin, nafta, malingsfortynner, alkohol eller andre brannfarlige brennstoff.

Bruk giftfrie frosthindrende tilsetningsstoff ved svært lave temperaturer.

Det anbefales å bruke vinterdiesel ved temperatur under 5°C.

▶▶▶ 6. DRIFTSPRINSIPP

Pumpen på brenneren suger drivstoffet fra tanken og sender det til dysen under trykk, der blir det forstøvet og blandet med forbrenningsluft i forbrenningskammeret. En gnist utløser forbrenningen mens spillgassene blir støtt ut fra skorsteinen. Flere sensorer kontrollerer kontinuerlig riktig drift av varmeapparatet, og stopper syklusen ved feil. Viften er plassert i den bakre delen av varmeapparatet, og skal kjøle ned forbrenningskammeret og sirkuleringen av røyk, slik at varmen overføres fra disse til omgivelsene.

▶▶▶ 7. KONTROLLPANEL

(FIG. 3)

- A. Elektronisk regulator.
- B. Timeteller.
- C. På-bryter.
- D. Knapp for kontroll av ventilasjon.
- E. Varsellampe elektrisk spenning.
- F. Alarmvarsellampe blokkering brenner.
- G. Alarmvarsellampe blokkering ventilasjon.
- H. Alarmvarsellampe for overtemperatur.
- I. Tilbakestilling termostat for overtemperatur.
- L. Brennerkontakt.
- M. Sikring.
- N. Kontakt ekstern romtermostat.

▶▶▶ 8. DRIFT

ADVARSEL: LES

“SIKKERHETSINFORMASJON”,
VARMEAPPARATET SLÅS PÅ.

NØYE
FØR

no

▶▶ 8.1. SLÅ PÅ VARMEAPPARATET:

- ▶ 8.1.1. Følg alle sikkerhetsinstruksjonene.
- ▶ 8.1.2. Koble drivstoffrørene ved å ta hensyn til de riktige innløps- og utløpsforbindelsene (FIG. 4).
- ▶ 8.1.3. Sjekk at det finnes drivstoff i tanken.
- ▶ 8.1.4. Koble støpselet til strømmettet (FIG. 5) (SE SPENNING I “TABELL FOR TEKNISKE DATA”).
- ▶ 8.1.5. Sett på-bryteren i “FLAMME”-posisjon (C FIG. 3). Varmeapparatet skal slås på innen få sekunder. Hvis varmeapparatet ikke starter, se avsnittet “PROBLEMIDENTIFISERING”.
- ▶ 8.1.6. Varmeapparatet kan brukes i ventilasjonsmodus, for å aktivere denne funksjonen plasseres på-bryteren i “VIFTE”-posisjon (C FIG. 3).
- ▶ 8.1.7. Varmeapparatet har en knapp som gjør det mulig å kontrollere ventilasjonen (D FIG. 3).
 - AKTIVERT KNAPP: Ventilasjonen fungerer kontinuerlig (ideell for ekstreme bruksforhold).
 - DEAKTIVERT KNAPP: Ventilasjonen fungerer automatisk (normal drift).
- ▶ 8.1.8. For modeller med romtermostat, kontroller den innstilte temperaturen (FIG. 6).

MERK: DERSOM VARMEAPPARATET SLÅS AV GRUNNET MANGEL PÅ DRIVSTOFF, FYLL PÅ TANKEN OG TILBAKESTILL VARMEAPPARATET (SE AVSN. “TILBAKESTILLING AV VARMEAPPARATET”). VIKTIG: PÅ DE INDIREKTE MODELLENE, KAN FORBRENNINGSPRODUKTENE KANALISERES PÅ UTSIDEN. UTFØR KANALISERINGEN I HENHOLD TIL GJELDENE BESTEMMELSER OG FØLG DE ANVISNINGER SOM ER ANGITT I DET RELEVANTE AVSNITTET I BRUKSANVISNINGEN.

▶▶ 8.2. SLÅ AV VARMEAPPARATET:

Sett på-bryteren i posisjon “0” (C FIG. 3). Flammen slukner og viften fortsetter å fungere til forbrenningskammeret er helt avkjølt. Ikke koble fra støpselet før avkjølingscyklusen er avsluttet.

►►► 9. TILBAKESTILLING AV VARMEAPPARATET

Dersom det oppstår en feil under normal drift, slås varmeapparatet av.

For å starte varmeapparatet igjen, må man identifisere og eliminere årsaken til blokkeringen (for eksempel hindring av luftinntak og/eller utløp, stopp av viften, mangel på drivstoff, osv.). Hvis det ikke er mulig å eliminere problemet som forårsaket blokkeringen, få et teknisk assistansesenter til å gripe inn.

For å tilbake stille varmeapparatet, anbefales det å utføre følgende prosedyre (følg alle sikkerhetsinstruksjonene):

► TILBAKESTILLING AV TERMOSTAT FOR OVERTEMPERATUR [Tent varselampe (H FIG. 3)]: Varmeapparatet har nådd maksimal driftstemperatur. For å tilbake stille varmeapparatet, fjern årsaken til blokkeringen (kontakt eventuelt et servicesenter), fjern dekselet (FIG. 7), løsne pluggen og trykk knappen helt inn (I FIG. 3). Deretter stram pluggen igjen og gjenopprett dekselet (FIG. 8).

► TILBAKESTILLING AV BRENNER [Tent varselampe (F FIG. 3) (FIG. 9)]: Brenneren har hatt en driftsfeil. For å tilbake stille brenneren, fjern årsaken til blokkeringen (kontakt eventuelt et servicesenter), fjern dekselet (FIG. 7) og trykk knappen helt inn i noen sekunder (FIG. 10). Deretter gjenopprett dekselet (FIG. 8).

► TILBAKESTILLING AV VENTILASJONSMOTOR [Tent varselampe (G FIG. 3)]: Ventilasjonsmotoren er blokkert eller virker på unormal måte. For å tilbake stille varmeapparatet, sett på-bryteren i posisjon "0" (C FIG. 3), fjern årsaken til blokkeringen (kontakt eventuelt et servicesenter) og slå på varmeapparatet igjen.

►►► 10. KONFIGURASJON AV DEN ELEKTRONISKE REGULATOREN

VIKTIG: DEN ELEKTRONISKE REGULATOREN (ALLEREDE INNSTILT AV PRODUSENTEN) PÅVIRKER IKKE VARMEAPPARATETS FUNKSJON HVIS DEN IKKE TILBAKESTILLES.

Den elektroniske regulatoren (A FIG. 3), kontrollerer på- og avslåing av ventilasjon i fasen for forhåndsoppvarming og etter-ventilasjon av varmeapparatet.

Avhengig av omgivelsestemperaturen (svært varme eller svært kalde omgivelser, SE TAB. "KONFIGURASJON AV DEN ELEKTRONISKE REGULATOREN") kan det bli nødvendig å endre referanseparameteren.

Konfigurasjonsprosedyre:

► 10.1. Påse at på-bryteren er i posisjon "0" og at støpselet er koblet til strømmettet.

► 10.2. Utfør følgende tastesekvens:

-Trykk på tasten "SET".

-Vis "SP2" ved å navigere med tastene "▼" / "▲".

-Trykk på tasten "SET" for å få tilgang.

-Still inn ønsket temperatur med tastene "▼" / "▲".

-Trykk på tasten "SET" for å bekrefte.

VIKTIG: DEN ELEKTRONISKE REGULATOREN FUNGERER IKKE SOM ROMTERMOSTAT.

►►► 11. RENGJØRING AV FILTER

►► 11.1. INNTAKSFILTER, AVHENGIG AV MODELLEN:

(FIG. 11)

Avhengig av kvaliteten på det anvendte drivstoffet, kan rengjøring av filtrene være nødvendig:

► 11.1.1. Fjern koppen (A).

► 11.1.2. Dra ut filteret (B) fra koppen, mens man er oppmerksom på å håndtere pakningene med forsiktighet.

► 11.1.3. Rengjør filteret (B) med rent drivstoff. Vær oppmerksom, slik at det ikke skades.

► 11.1.4. Fest filteret (B) i koppen igjen.

► 11.1.5. Fest koppen (A), mens man er oppmerksom på å montere pakningene på korrekt måte.

►► 11.2. FILTER DRIVSTOFFPUMPE:

Se program for forebyggende vedlikehold.

►►► 12. OPPBEVARING OG TRANSPORT

ADVARSEL: FØR EVENTUELL FLYTTING, STOPP VARMEAPPARATET (SE AVSN. "SLÅ AV VARMEAPPARATET"), KOBLE FRA STRØMFORSYNINGEN VED Å TA STØPSELET UT AV STIKKONTAKTEN (FIG. 12) OG VENT TIL VARMEAPPARATET ER HELT AVKJØLT. NÅR VARMEAPPARATET FLYTTES PÅ, HOLD DET I NIVELLERT POSISJON.

For å bevare varmeapparatet best mulig, anbefales det å utføre følgende prosedyre (følg alle sikkerhetsinstruksjonene):

► 12.1. Det kan løftes med gaffeltruck, ved hjelp av egnede kjeder og hengekroker (varmeapparatet er utstyrt med øyebolter).

► 12.2. Med den hensikt å skulle bevare varmeapparatet på best mulig måte, anbefales det å sette det på et varmt og tørt sted og beskyttet mot mulige skader.

►►► 13. TILKOBLING AV ROMTERMOSTAT

For modeller med mulighet for tilkobling av termostat, fjern dekselet som er koblet til varmeapparatet og koble til romtermostaten (tilvalg) (FIG. 13-14).

►►► 14. TIPS FOR KANALISERING

(FIG. 15)

VIKTIG: UNNGÅ Å LEDE LUFT I INNGANG OG/ELLER UTGANG UTEN BRUK AV ORIGINALE KANAL-SETT (DER DETTE ER RELEVANT).

For å unngå driftsproblemer på varmeapparatet eller skade på mennesker, vær oppmerksom på plasseringen av luftkanalrørene. For å redusere luftstrømningsmotstanden anbefales det å plassere rørene for å redusere antall kurver og unngå bøyninger med skarpe vinkler. De første meterne må være fri for kurver.

ADVARSEL: FØR UTFØRELSE AV ENHVER FORM FOR VEDLIKEHOLD ELLER REPARASJON, SKAL STRØMLEDNINGEN KOBLES FRA STRØMFORSYNINGEN, OG PÅSE AT VARMEAPPARATET ER KALDT.

►►► 15. PROGRAM FOR FOREBYGGENDE VEDLIKEHOLD

KOMPONENT	HYPPIGHET FOR VEDLIKEHOLD	PROSEDYRE FOR VEDLIKEHOLD
Filtre	Rengjør eller bytte ut en gang i året eller etter behov (påse at de er intakte)	Rengjør filtrene (SE AVSN. "RENGJØRING AV FILTER")
Filter drivstoffpumpe	Rengjør eller bytte ut en gang i året eller etter behov (påse at de er intakte)	Kontakt servicesenter
Elektroder	Rengjør etter behov	Kontakt servicesenter
Vifte	Rengjør etter behov	Kontakt servicesenter
Forbrenningskammer	Rengjør etter behov	Kontakt servicesenter

►►► 16. PROBLEMDENTIFISERING

PROBLEM	MULIG ÅRSAK	MULIG TILTAK
Varmeapparatet starter ikke eller slår seg av	<ol style="list-style-type: none"> På-bryteren i posisjon "0" Mangel på strøm Brutt strømkabel Elektronikken må tilbakestilles eller er defekt Feil innstilling av romtermostat (hvis tilgjengelig) Mangel på drivstoff Det finnes fremmede stoffer i drivstoffkretsen Temperaturen innstilt på den digitale termostaten er for høy Blokkert elektronikk 	<ol style="list-style-type: none"> Sett på-bryteren i "FLAMME"-posisjon (C FIG. 3) 2a. Sett strømlledning på riktig måte inn i stikkkontakten (FIG. 5) 2b. Sjekk at spenningen er riktig i forhold til ditt anlegg 3. Kontakt servicesenter 4a. Tilbakestill varmeapparatet (SE AVSN. "TILBAKESTILLING AV VARMEAPPARATET") 4b. Kontakt servicesenter 5. Juster på romtermostaten, ved å stille inn en høyere temperatur enn arbeidsmiljøet (FIG. 6) 6. Fyll på med drivstoff og tilbakestill eventuelt varmeapparatet (SE AVSN. "TILBAKESTILLING AV VARMEAPPARAT") 7a. Tøm og fyll tanken med rent drivstoff 7b. Rengjør filtrene (SE AVSN. "RENGJØRING AV FILTER") 7c. Kontakt servicesenter 8. Senk den innstilte temperaturen på den digitale termostaten (SE AVSN. "KONFIGURASJON AV DEN ELEKTRONISKE REGULATOREN") 9. Tilbakestill elektronikken (SE AVSN. "TILBAKESTILLING AV VARMEAPPARATET")
Varmeapparatet danner røyk under drift	<ol style="list-style-type: none"> Det finnes fremmede stoffer i drivstoffkretsen Tilstopping av luftinntak 	<ol style="list-style-type: none"> 1a. Tøm og fyll tanken med rent drivstoff 1b. Rengjør filtrene (SE AVSN. "RENGJØRING AV FILTER") 1c. Kontakt servicesenter 2. Fjern alle mulige hindringer fra luftinntaket
Varmeapparatet slår seg ikke av	<ol style="list-style-type: none"> Temperaturen innstilt på den digitale termostaten er for lav Defekt elektronikk 	<ol style="list-style-type: none"> 1. Hev den innstilte temperaturen på den digitale termostaten (SE AVSN. "KONFIGURASJON AV DEN ELEKTRONISKE REGULATOREN") 2. Kontakt servicesenter

no

VIKTIGT: SE TILL ATT NI HAR LÄST IGENOM OCH BEGRIPIT VEDERBÖRANDE BRUKSANVISNING INNAN NI UTFÖR MONTERING, DRIFTSÄTTNING ELLER UNDERHÅLL AV VÄRMAREN. EN FELAKTIG ANVÄNDNING AV VÄRMAREN KAN LEDA TILL ALLVARLIGA PERSONSKADOR ELLER DÖDSFALL. FÖRVARA MANUALEN SOM FRAMTIDA REFERENSMATERIAL

►►► **1. BESKRIVNING**

Denna serie av varmluftsvärmare är speciellt lämplig för uppvärmning av lokaler eller utrymmen med medelstora eller stora mått.

Värmarna med indirekt uppvärmning gör det (FIG. 1), tack vare en intern värmeväxlare, möjligt att separera förbränningsgaserna från den heta luft som införs i rummet. På detta sätt är det möjligt att få ett rent varmluftsflöde på den plats som ska värmas upp och att leda ut förbränningsprodukterna på utsidan.

Dessa varmluftsvärmare har utformats enligt de modernaste kriterierna för säkerhet, funktionalitet och hållbarhet. Säkerhetsanordningarna garanterar alltid värmarens korrekta funktion.

►►► **2. SÄKERHETSINFORMATION**
VARNINGSFÖRESKRIFTER



VIKTIGT: Denna luftvärmare har utformats för mobila och temporära yrkesmässiga applikationer. Den har inte konstruerats för hushållsbruk eller för personlig termisk komfort.



VIKTIGT: Denna apparat lämpar sig inte för att användas av personer (inklusive barn) med begränsad fysisk, sensorisk och mental förmåga eller av oerfarna personer. Ett undantag är om personerna i fråga övervakas av en vuxen person som då är ansvarig för deras säkerhet. Barn måste övervakas så att de inte leker med apparaten.



FARA: Kolmonoxidförgiftning kan vara dödlig.

De första symtomen på syrebrist från kolmonoxid påminner om symtomen för influensa med huvudvärk, yrsel och/eller illamående. Dessa symtom kan ha uppstått av att värmaren fungerar på ett defekt sätt. **OM DESSA SYMTOM UPPSTÅR SKA NI OMEDELBART BEGE ER UTOMHUS** och få värmaren reparerad av teknisk support.

►► **2.1. TANKNING:**

- 2.1.1. Den personal som ansvarar för tankningen måste vara kvalificerad och vara fullt förtrogen med tillverkarens instruktioner och med gällande lagstiftning om säker tankning av värmarna.
- 2.1.2. Använd endast den bränsletyp som uttryckligen står angiven på värmarens märkskylt.
- 2.1.3. Innan du utför tankningen ska du slå av värmaren och vänta på att den svalnar.
- 2.1.4. Bränsletankarna måste finnas i en separat anläggning.
- 2.1.5. Alla bränsletankar måste befinna sig på ett minsta säkerhetsavstånd från värmaren, i enlighet med gällande föreskrifter.

- 2.1.6. Bränslet ska förvaras i lokaler vars golv inte tillåter penetration eller dropp av detsamma på underliggande lågor, som kan orsaka antändning.
- 2.1.7. Bränsleförvaringen måste utföras i enlighet med gällande föreskrifter.

►► **2.2. SÄKERHET:**

- 2.2.1. Värmaren får inte användas i lokaler där det finns bensin, lacklösningsmedel eller andra brandfarliga ångor.
- 2.2.2. Under användningen av värmaren ska man följa alla lokala förordningar och gällande föreskrifter.
- 2.2.3. De värmare som används i närheten av presenningar, tält och andra liknande täckningsmaterial ska placeras på ett säkert avstånd från dessa. Vi rekommenderar även att man använder brandsäkra täckningsmaterial.
- 2.2.4. Använd endast i välventilerade områden. Ordna med en lämplig öppning i enlighet med gällande föreskrifter i syfte att föra in frisk luft utifrån.
- 2.2.5. Mata endast värmaren med el med den spänning och frekvens som anges på märkskylten.
- 2.2.6. Använd enbart förlängningar som är korrekt jordade.
- 2.2.7. Rekommenderade mista säkerhetsavstånd mellan värmaren och de brännbara ämnena: främre utgång = 2,5 m, sida, topp och baksida = 1,5 m.
- 2.2.8. Placera den varma, eller fungerande, värmaren på en stabil och plan yta för att undvika brandrisk.
- 2.2.9. Håll djur på ett säkert avstånd från värmaren.
- 2.2.10. Koppla bort värmaren från vägguttaget när den inte används.
- 2.2.11. När värmaren styrs av en termostat kan den slås på när som helst.
- 2.2.12. Använd aldrig värmaren i ofta bebodda rum eller i sovrum.
- 2.2.13. Blockera aldrig värmarens luftintag eller utlopp.
- 2.2.14. När värmaren är varm, eller ansluten till elnätet, eller i drift, ska den aldrig flyttas, hanteras, tankas eller utsättas för underhåll.
- 2.2.15. Undvik att kanalisera luften i ingång och/eller utgång om du inte använder originalkit (där detta förutses).
- 2.2.16. Bibehåll ett säkert avstånd mellan brandfarliga eller värmelabila (inklusive matarkabeln) material och värmarens varma delar.
- 2.2.17. Om matarkabeln är skadad måste den bytas ut av den tekniska kundtjänsten för att förebygga samtliga risker.
- 2.2.18. Försäkra er under driften om att brandskyddsanordningarna är redo för användning.

- ▶ 2.2.19. Om brännaren byts ut, använd originalreservdelar, respektera noggrant vad som förutses för flödet, typ av munstycket och pumptryck. En ökning av brännarens effekt kan skada värmaren.

▶▶▶ 3. UPPACKNING

VARNING: FÖRPACKNINGSMATERIALET ÄR INGEN LEKSAK FÖR BARN. FÖRVARA PLASTPÅSEN UTOM RÄCKHÅLL FÖR BARN, KVÄVNINGSRISK! FÖRVARA PLASTPÅSEN UTOM RÄCKHÅLL FÖR BARN, KVÄVNINGSRISK!

- ▶ 3.1. Ta bort allt förpackningsmaterial som använts för att paketera och transportera värmaren. Bortskaffa dem enligt gällande bestämmelser.
- ▶ 3.2. Om värmaren skulle vara placerad på plattformen sänk den försiktigt med hjälp av lämpliga anordningar och instrument enligt nationella föreskrifter och i linje med gällande bestämmelser. Det är möjligt att höja den med gaffeltrucken med användning av lämpliga kedjor och upphängningskrokar (värmaren är försedd med lyftöglor).
- ▶ 3.3. Kontrollera eventuella skador som tillförts under transporten. Om värmaren verkar skadad ska ni omedelbart informera den återförsäljare från vilken den har köpts.

▶▶▶ 4. MONTERING

(FIG. 2)

Dessa värmare är försedda med handtag, fästen, stöd o.s.v. beroende på modell. Dessa komponenter, kompletta med skruvar och muttrar för monteringen, befinner sig i värmarens förpackning.

▶▶▶ 5. BRÄNSLE

VARNING: VÄRMAREN FUNGERAR ENDAST MED DIESEL ELLER FOTOGEN.

Använd endast diesel eller fotogen för att undvika risk för brand eller explosion. Använd aldrig bensin, nafta, lösningsmedel för färger, alkohol eller andra lättantändliga bränslen.

Använd giffria frysskyddstillsatser i händelse av mycket låga temperaturer.

Vi rekommenderar att ni använder vinterdiesel under 5°C.

▶▶▶ 6. DRIFTSPRINCIPER

Brännarpumpen suger in bränslet från tanken och skickar det till munstycket under tryck, där det nebuliseras och blandas med förbränningsluften i förbränningskammaren. En gnista utlöser förbränningen medan avfallsröken släpps ut genom skorstenen. Ett antal sensorer kontrollerar kontinuerligt värmarens korrekta funktion och stoppar cykeln vid avvikelser. Fläkten, placerad på värmarens baksida, har till syfte att kyla ned förbränningskammaren och rökpassagen genom att överföra värmen från de sistnämnda till rummet.

▶▶▶ 7. KONTROLLPANEL

(FIG. 3)

- A. Elektronisk regulator.
- B. Timräknare.
- C. Strömbrytare.
- D. Knapp för kontroll av ventilationen.
- E. Kontrollampa närvaro spänning.
- F. Larmindikator blockering brännare.
- G. Larmindikator blockering ventilering.
- H. Larmindikator för övertemperatur.
- I. Återställning termostat för övertemperatur.
- L. Brännarens kontakt.
- M. Säkring
- N. Kontakt fjärrstyrd rumstermostat.

▶▶▶ 8. DRIFT

VARNING: LÄS NOGGRANT "SÄKERHETSINFORMATION" INNAN DU SLÅR PÅ VÄRMAREN.

▶▶ 8.1. PÅSLAGNING AV VÄRMAREN:

- ▶ 8.1.1. Följ alla säkerhetsanvisningar.
- ▶ 8.1.2. Anslut bränsleledningarna och ta hänsyn till rätt inlopps- och utloppsanslutningar (FIG. 4).
- ▶ 8.1.3. Kontrollera förekomsten av bränsle i tanken.
- ▶ 8.1.4. Anslut nätkontakten till strömförsörjningen (FIG. 5) (SE SPÄNNING I "TABELL ÖVER TEKNISKA DATA").
- ▶ 8.1.5. Vrid strömbrytaren till "FIAMMA" ("LÅGA") (C FIG. 3). Värmaren slås på inom några sekunder. Om värmaren inte startar se avsnittet "FELSÖKNING".
- ▶ 8.1.6. Värmaren kan användas i driftläget för ventilation. För att aktivera denna funktion ska du vrida strömbrytaren till läget "VENTOLA" ("FLÅKT") (C FIG. 3).
- ▶ 8.1.7. Värmaren förfogar över en knapp som låter er styra ventilationen (D FIG. 3).
 - AKTIV KNAPP: Ventilationen arbetar kontinuerligt (perfekt för extrema användningsförhållanden).
 - INAKTIV KNAPP: Ventilationen arbetar i automatiskt läge (normal drift).

- ▶ 8.1.8. För modellerna med rumstermostat ska du kontrollera den inställda temperaturen (FIG. 6).

OBSERVERA: OM VÄRMAREN SLÅS AV PÅ GRUND AV ATT BRÄNSLET HAR TAGIT SLUT SKA DU Fylla PÅ TANKEN OCH ÅTERSTÄLLA VÄRMAREN (SE AVS. "ÅTERSTÄLLNING AV VÄRMAREN").

VIKTIGT: I DE INDIREKTA MODELLERNA KAN FÖRBRÄNNINGSPRODUKTERNA KANALISERAS TILL UTSIDAN. UTFÖR KANALISERINGEN I ENLIGHET MED GÄLLANDE LAGSTIFTNING OCH RESPEKTERA DE ANVISNINGAR SOM GES I DET SPECIFIKA AVSNITTET I HANDBOKEN.

▶▶ 8.2. AVSTÄNGNING AV VÄRMAREN:

Vrid strömbrytaren "0" (C FIG. 3). Flamman släcks och fläkten fortsätter att fungera tills förbränningskammaren är helt nedkyld. Koppla inte ur elkontakten förrän kylningscykeln har slutförts.

►►► 9. ÅTERSTÄLLNING AV VÄRMAREN

Om en avvikelse inträffar under normal drift stängs värmaren av.

För att sätta värmaren i drift igen måste blockeringens orsak identifieras och elimineras (till exempel obstruktion av luftintaget för inkommande luft och/eller frånluft, fläktstopp, bränslebrist o.s.v.). Om ni inte lyckas med att eliminera det problem som har orsakat blockeringen ska den tekniska kundtjänsten ingripa.

För att återställa värmaren rekommenderar vi att ni följer följande förfarande (följ alla säkerhetsanvisningar):

► ÅTERSTÄLLNING THERMOSTAT FÖR ÖVERTEMPERATUR [Tänd kontrollampa (H FIG. 3)]: Värmaren har nått maximal driftstemperatur. För att återställa värmaren ska ni eliminera orsaken till blockeringen (vänd er till den tekniska kundtjänsten), avlägsna täckningen (FIG. 7), skruva loss locket och trycka in knappen ordentligt (I FIG. 3). Skruva sedan tillbaks locket och återställ täckningen (FIG. 8).

► ÅTERSTÄLLNING AV VÄRMAREN [Tänd kontrollampa (F FIG. 3) (FIG. 9)]: Brännaren har haft en avvikelse under driften. För att återställa brännaren ska ni eliminera orsaken till blockeringen (vänd er till den tekniska kundtjänsten), avlägsna täckningen (FIG. 7) och trycka in knappen ordentligt under några sekunder (FIG. 10). Återställ sedan täckningen (FIG. 8).

► ÅTERSTÄLLNING AV FLÄKTMOTORN [Tänd kontrollampa (G FIG. 3)]: Fläktmotorn är blockerad eller fungerar på ett onormalt sätt. För att återställa värmaren ska ni föra strömbrytaren till "0" (C FIG. 3), eliminera orsaken till blockeringen (vänd er till den tekniska kundtjänsten) och slå på värmaren igen.

►►► 10. KONFIGURATION AV DEN ELEKTRONISKA REGULATORN

VIKTIGT: DEN ELEKTRONISKA REGULATORN (SOM REDAN HAR STÄLLTS IN AV TILLVERKAREN) PÅVERKAR INTE VÄRMARENS PRESTANDA OM DEN INTE ÅTERSTÄLLS.

Den elektroniska regulatorn (A FIG. 3), styr ventilationens påslagning och avstängning under fasen för värmarens förvärmning och efterventilation.

I funktion av omgivningstemperaturen (mycket kallt klimat eller mycket varmt klimat, SE TAB. "KONFIGURATION AV DEN ELEKTRONISKA REGULATORN") kan det bli nödvändigt att ändra referensparametern.

Konfigurationsförfarande:

► 10.1. Säkerställ att strömbrytaren står på "0" och att nätkontakten till strömförsörjningen är ansluten till elnätet.

► 10.2. Utför följande knappsekvens:

-Tryck på knappen "SET".

-Visa "SP2" genom att navigera med knapparna "▼" / "▲".

-Tryck på knappen "SET" för att komma in.

-Ställ in önskad temperatur med knapparna "▼" / "▲".

-Tryck på knappen "SET" för att bekräfta.

VIKTIGT: DEN ELEKTRONISKA REGULATORN HAR INTE FUNKTIONEN AV RUMSTERMOSTAT.

►►► 11. RENGÖRING AV FILTER

►► 11.1. INSUGNINGSFILTER, BEROENDE PÅ MODELLEN:

(FIG. 11)

Beroende på kvaliteten på det bränsle som används kan det bli nödvändigt att rengöra filtren:

► 11.1.1. Ta bort bågaren (A).

► 11.1.2. Dra ut filtret (B) från bågaren, se till att bevara tätningarna med omsorg.

► 11.1.3. Rengör filtret (B) med rent bränsle, försiktigt så att du inte skadar det.

► 11.1.4. Återmontera filtret (B) i bågaren.

► 11.1.5. Återmontera bågaren (A) och se till att återmontera tätningarna korrekt.

►► 11.2. FILTER BRÄNSLEPUMP:

Se det förebyggande underhållsprogrammet.

►►► 12. FÖRVARING OCH TRANSPORT

VARNING: FÖRE EVENTUELL FÖRFLYTTNING MÅSTE MAN STOPPA VÄRMAREN (SE AVS. "AVSTÄNGNING AV VÄRMAREN") OCH KOPPLA BORT STRÖMFÖRSÖRJNINGEN GENOM ATT DRA UT KONTAKTEN UR ELUTTAGET (FIG. 12) OCH VÄNTA PÅ ATT VÄRMAREN HAR SVALNAT HELT. NÄR VÄRMAREN HANTERAS SKA NI HÅLLA DEN I ETT JÄMNT LÄGE.

För att förvara värmaren på bästa sätt rekommenderar vi att ni följer följande förfarande (följ alla säkerhetsanvisningar):

► 12.1. Det är möjligt att höja den med gaffeltrucken med användning av lämpliga kedjor och upphängningskrokar (värmaren är försedd med lyftöglor).

► 12.2. För att lagra värmaren på bästa sätt rekommenderar vi att du förvarar den på en torr plats, skyddad från möjliga skador.

►►► 13. ANSLUTNING RUMSTERMOSTAT

På modeller som är förberedda för anslutning av rumstermostat ska ni avlägsna det lock som är anslutet till värmaren och ansluta rumstermostaten (tillval) (FIG. 13-14).

►►► 14. RÅD FÖR KANALISERINGEN

(FIG. 15)

VIKTIGT: UNDVIK ATT KANALISERA LUFTEN I INGÅNG OCH/ELLER UTGÅNG OM NI INTE ANVÄNDER ORIGINALKIT (DÄR DETTA FÖRUTSES). För att undvika driftsproblem för värmaren eller personskador är det nödvändigt att vara uppmärksam på arrangemanget av luftledningsrören. För att minska luftflödets motstånd rekommenderar vi att ni placerar luftledningsrören genom att minska antalet kurvor och genom att undvika böjar med skarpa vinklar. De första metrarna måste sakna kurvor.

VARNING: FRÄNKOPPLA MATARKABELN FRÅN ELNÄTET INNAN DU UTFÖR NÅGOT UNDERHÅLL ELLER REPARATION OCH SÄKERSTÄLL ATT VÄRMAREN ÄR KALL.

►►► 15. FÖREBYGGANDE UNDERHÅLLSPROGRAM

KOMPONENT	UNDERHÅLLSFREKVEN	UNDERHÅLLSFÖRFARANDE
Filter	Rengör eller ersätt en gång om året eller vid behov (verifiera att det är helt)	Rengör filtren (SE AVS. "RENGÖRING AV FILTER")
Filter bränslepump	Rengör eller ersätt en gång om året eller vid behov (verifiera att det är helt)	Vänd er till den tekniska kundtjänsten
Elektroder	Rengör vid behov	Vänd er till den tekniska kundtjänsten
Fläkt	Rengör vid behov	Vänd er till den tekniska kundtjänsten
Förbränningskammare	Rengör vid behov	Vänd er till den tekniska kundtjänsten

►►► 16. FELSÖKNING

PROBLEM	MÖJLIG ORSAK	MÖJLIG ÅTGÄRD
Värmaren startar inte eller förblir inte påslagen	<ol style="list-style-type: none"> 1. Strömbrytaren står på "0" 2. Ingen strömförsörjning 3. Avbruten matarkabel 4. Elektronik som ska återställas eller som är defekt 5. Felaktig inställning av rumstermostaten (om befintlig) 6. Bränslebrist 7. Förekomst av främmande ämnen i bränslekretsen 8. Den temperatur som har ställts in på den digitala termostaten är för hög 9. Elektronik är blockerad 	<ol style="list-style-type: none"> 1. Vrid strömbrytaren till "FIAMMA" ("LÅGA") (C FIG. 3) 2a. Sätt in matarkabeln korrekt i eluttaget (FIG. 5) 2b. Verifiera att din anläggning har korrekt spänning 3. Vänd er till den tekniska kundtjänsten 4a. Återställ värmaren (SE AVS. "ÅTERSTÄLLNING AV VÄRMAREN") 4b. Vänd er till den tekniska kundtjänsten 5. Verka på rumstermostaten genom att ställa in den på en högre temperatur än arbetsmiljöns temperatur (FIG. 6) 6. Fyll på bränsle och återställ eventuellt värmaren (SE AVS. "ÅTERSTÄLLNING AV VÄRMAREN") 7a. Töm och fyll tanken med rent bränsle 7b. Rengör filtren (SE AVS. "RENGÖRING AV FILTER") 7c. Vänd er till den tekniska kundtjänsten 8. Sänk den digitala termostats inställda temperatur (SE AVS. "KONFIGURATION AV DEN DIGITALA TERMOSTATEN") 9. Återställ elektroniken (SE AVS. "ÅTERSTÄLLNING AV VÄRMAREN")
Värmaren producerar rök under driften	<ol style="list-style-type: none"> 1. Förekomst av främmande ämnen i bränslekretsen 2. Obstruktion av luftintaget vid ingången 	<ol style="list-style-type: none"> 1a. Töm och skölj tanken med rent bränsle 1b. Rengör filtren (SE AVS. "RENGÖRING AV FILTER") 1c. Vänd er till den tekniska kundtjänsten 2. Avlägsna alla möjliga obstruktioner av luftintaget
Värmaren stängs inte av	<ol style="list-style-type: none"> 1. Den temperatur som har ställts in på den digitala termostaten är för låg 2. Defekt elektronik 	<ol style="list-style-type: none"> 1. Höj den digitala termostats inställda temperatur (SE AVS. "KONFIGURATION AV DEN DIGITALA TERMOSTATEN") 2. Vänd er till den tekniska kundtjänsten

WAŻNE: PRZED PRZYSTĄPIENIEM DO MONTAŻU, URUCHOMIENIA LUB KONSERWACJI TEGO NALEŻY PRZECZYTAĆ I ZROZUMIEĆ NINIEJSZĄ INSTRUKCJĘ. NIEPRAWIDŁOWE UŻYCIĘ NAGRZEWNICY MOŻE BYĆ PRZYCZYNĄ POWAŻNYCH OBRAŻEŃ LUB ŚMIERCI. NINIEJSZĄ INSTRUKCJĘ NALEŻY ZACHOWAĆ NA PRZYSZŁOŚĆ.

▶▶▶ 1. OPIS

Ta seria nagrzewnic do gorącego powietrza jest szczególnie wskazana do ogrzewania zamkniętych pomieszczeń średniej lub dużej wielkości.

Dzięki wewnętrznemu wymiennikowi ciepła, nagrzewnice z nagrzewaniem pośrednim (RYS. 1) umożliwiają oddzielanie gazów spalinowych od gorącego powietrza wprowadzanego do środowiska. W ten sposób możliwe jest utrzymywanie strumienia gorącego powietrza w miejscu do ogrzania i przenoszenie produktów spalania na zewnątrz.

Te nagrzewnice zostały zaprojektowane zgodnie z najnowszymi kryteriami bezpieczeństwa, funkcjonalności i trwałości. Urządzenia zabezpieczające zawsze gwarantują prawidłowe działanie nagrzewnicy.

▶▶▶ 2. INFORMACJE DOTYCZĄCE BEZPIECZEŃSTWA OSTRZEŻENIA



WAŻNE: Ta nagrzewnica została zaprojektowana do zastosowań mobilnych i tymczasowych. Nie została zaprojektowana do użytku domowego ani do komfortu termicznego człowieka.



WAŻNE: Niniejsze urządzenie nie jest przystosowane do używania przez osoby (łącznie z dziećmi) o ograniczonych zdolnościach fizycznych, sensorycznych i psychicznych lub przez osoby niedoświadczone, chyba że pod nadzorem osoby odpowiedzialnej za ich bezpieczeństwo. Należy kontrolować dzieci, aby mieć pewność, że nie bawią się urządzeniem.



NIEBEZPIECZEŃSTWO: Wdychanie tlenku węgla może mieć bardzo poważne skutki.

Pierwsze objawy zatrucia tlenkiem węgla przypominają objawy grypy i towarzyszy im ból głowy, zawroty głowy i/lub nudności. Takie objawy mogą być spowodowane wadliwym funkcjonowaniem nagrzewnicy. W PRZYPADKU WYSTĄPIENIA TEGO RODZAJU OBJAWÓW WYJŚĆ NATYCHMIAST NA ZEWNĄTRZ i zlecić naprawę nagrzewnicy centrum pomocy technicznej.

▶▶ 2.1. UZUPEŁNIANIE PALIWA:

- ▶ 2.1.1. Personel upoważniony do uzupełniania paliwa powinien być zaznajomiony z instrukcjami producenta oraz z przepisami obowiązującymi w zakresie bezpiecznego uzupełniania paliwa w nagrzewnicach.
- ▶ 2.1.2. Stosować wyłącznie rodzaj paliwa wyraźnie wskazany na tabliczce znamionowej nagrzewnicy.
- ▶ 2.1.3. Przed uzupełnianie paliwa należy wyłączyć nagrzewnicę i poczekać na jej ochłodzenie.
- ▶ 2.1.4. Cysterny do magazynowania paliwa powinny zostać umieszczone w osobnej strukturze.

▶ 2.1.5. Wszystkie zbiorniki paliwa powinny znajdować się w bezpiecznej odległości od nagrzewnicy, zgodnie z obowiązującymi przepisami.

▶ 2.1.6. Paliwo należy przechowywać w pomieszczeniach, w których podłoga zabezpieczona przed jego wnikaniem i skapywaniem na znajdujące się niżej płomienie, co mogłoby spowodować zapalenie.

▶ 2.1.7. Paliwo należy przechowywać zgodnie z obowiązującymi przepisami.

▶▶ 2.2. BEZPIECZEŃSTWO:

▶ 2.2.1. Nie używać nagrzewnicy w pomieszczeniach, w których znajduje się benzyna, rozpuszczalniki do lakierów lub inne łatwopalne opary.

▶ 2.2.2. Podczas używania nagrzewnicy należy przestrzegać wszystkich rozporządzeń lokalnych i obowiązujących przepisów.

▶ 2.2.3. Nagrzewnice używane w pobliżu plandek, brezentów lub innych podobnych materiałów pokryciowych powinny być używane w bezpiecznej od nich odległości. Zaleca się również używanie materiałów ognioodpornych.

▶ 2.2.4. Używać wyłącznie w dobrze wentylowanych pomieszczeniach. Przygotować odpowiednie urządzenia do pobierania świeżego powietrza z zewnątrz, zgodnie z obowiązującymi przepisami.

▶ 2.2.5. Napięcie i częstotliwość zasilania nagrzewnicy powinny być zgodne z wartościami podanymi na jej tabliczce znamionowej.

▶ 2.2.6. Używać wyłącznie przedłużaczy odpowiednio podłączonych do uziemienia.

▶ 2.2.7. Minimalne bezpieczne odległości pomiędzy nagrzewnicą a substancjami palnymi: wyjście przednie = 2,5 m; bocznie, w górę i do tyłu = 1,5 m.

▶ 2.2.8. Rozgrzaną lub pracującą nagrzewnicę ustawiać na stabilnej i wy poziomowanej powierzchni, aby uniknąć zagrożenia pożarem.

▶ 2.2.9. Trzymać zwierzęta w bezpiecznej odległości od nagrzewnicy.

▶ 2.2.10. Nieużywaną nagrzewnicę należy odłączyć od zasilania.

▶ 2.2.11. Gdy nagrzewnica sterowana jest przez termostat, może włączyć się w dowolnym momencie.

▶ 2.2.12. Nie używać nagrzewnicy w często uczęszczanych pomieszczeniach i w sypialniach.

▶ 2.2.13. Nie blokować nigdy wlotu ani wylotu powietrza nagrzewnicy.

▶ 2.2.14. Gdy nagrzewnica jest gorąca, przyłączona do zasilania elektrycznego lub włączona, nie należy jej przenosić, manipulować przy niej lub wykonywać konserwacji.

▶ 2.2.15. Nie kanalizować powietrza wlotowego i/lub wylotowego, chyba że przy użyciu oryginalnych zestawów (jeżeli jest to przewidziane).

▶ 2.2.16. Materiały łatwopalne lub wrażliwe na działanie ciepła (łącznie z kablem zasilania) utrzymywać w odpowiedniej odległości od rozgrzanych części nagrzewnicy.

▶2.2.17. W celu uniknięcia wszelkiego ryzyka, uszkodzony kabel zasilający powinien być wymieniony przez autoryzowane centrum pomocy technicznej.

▶2.2.18. Podczas pracy upewnić się, że urządzenia przeciwpożarowe są gotowe do użycia.

▶2.2.19. W przypadku wymiany palnika używać oryginalnych części zamiennych. Stosować się rygorystycznie do zaleceń dotyczących natężenia przepływu, rodzaju dysz i ciśnienia pompy. Większa moc palnika może skutkować uszkodzeniem nagrzewnicy.

▶▶▶3. ROZPAKOWYWANIE

OSTRZEŻENIE: MATERIAŁ OPAKOWANIOWY NIE JEST ZABAWKĄ DLA DZIECI. WOREK Z TWORZYWA SZTUCZNEGO PRZECHOWYWAĆ Z DALA OD DZIECI. RYZYKO UDUSZENIA!

▶3.1. Zdjąć wszystkie materiały opakowaniowe użyte do zapakowania i wysłania produktu. Zutyliczować zgodnie z obowiązującymi przepisami.

▶3.2. Gdyby nagrzewnica była umieszczona na podeście, opuścić ją delikatnie, korzystając z odpowiednich urządzeń i sprzętu, zgodnie z przepisami obowiązującymi w danym kraju oraz ogólnie przyjętymi normami. Można go podnieść wózkami podnośnikowym za pomocą odpowiednich łańcuchów i haków do zawieszania (nagrzewnica wyposażona jest w śruby oczkowe).

▶3.3. Sprawdzić, czy występują ewentualne uszkodzenia powstałe podczas transportu. W przypadku uszkodzenia nagrzewnicy należy niezwłocznie poinformować sprzedawcę, u którego została kupiona.

▶▶▶4. MONTAŻ

(RYS. 2)

Te nagrzewnice są wyposażone w ręczki, uchwyty, podpórki itd., zależnie od modelu. Takie komponenty ze śrubami i nakrętkami montażowymi znajdują się w opakowaniu nagrzewnicy.

▶▶▶5. PALIWO

OSTRZEŻENIE: NAGRZEWNICA DZIAŁA WYŁĄCZNIE NA OLEJ NAPĘDOWY LUB NAFTĘ.

Aby uniknąć ryzyka pożaru lub wybuchu, należy używać wyłącznie oleju napędowego lub nafty. Nigdy nie używać benzyny, gazu płynnego, rozpuszczalników do farb, alkoholu lub innych łatwopalnych paliw.

W przypadku bardzo niskich temperatur używać nietoksycznych dodatków zapobiegających zamarzaniu.

W temperaturze poniżej 5°C zaleca się stosowanie zimowego oleju opałowego.

▶▶▶6. ZASADY DZIAŁANIA

Pompa palnika zasysa paliwo ze zbiornika i przesyła do dyszy pod ciśnieniem. Paliwo w dyszy zostaje rozpylone i wymieszane w komorze spalania z powietrzem spalania. Iskra powoduje zapłon, a spaliny wyprowadzane są przez komin. Szereg czujników kontroluje nieustannie poprawność działania nagrzewnicy, zatrzymując cykl w przypadku stwierdzenia nieprawidłowości. Zadaniem wentylatora zamontowanego w tylnej części nagrzewnicy jest chłodzenie komory spalania oraz układu obiegu spalin, z przenoszeniem ciepła pochodzącego z tych elementów do otoczenia.

▶▶▶7. PANEL STEROWNICZY

(RYS. 3)

A. Regulator elektroniczny.

B. Licznik godzin.

C. Wyłącznik włączający.

D. Przycisk do kontroli wentylacji.

E. Kontrolka obecności napięcia elektrycznego.

F. Kontrolka alarmowa zablokowania palnika.

G. Kontrolka alarmowa zablokowania wentylacji.

H. Kontrolka alarmu nadmiernej temperatury.

I. Reset termostatu przegrzania.

L. Łącznik palnika.

M. Bezpiecznik.

N. Łącznik zdalnego sterownika pokojowego.

▶▶▶8. DZIAŁANIE

OSTRZEŻENIE: PRZED WŁĄCZENIEM NAGRZEWNICY UWAŻNIE PRZECZYTAĆ „INFORMACJE DOTYCZĄCE BEZPIECZEŃSTWA”.

▶▶8.1. WŁĄCZENIE NAGRZEWNICY:

▶8.1.1. Śledzić wszystkie instrukcje dotyczące bezpieczeństwa.

▶8.1.2. Rurki paliwa połączyć zgodnie z połączeniami wejścia i wyjścia (RYS. 4).

▶8.1.3. Sprawdzić obecność paliwa w zbiorniku.

▶8.1.4. Przyłączyć wtyczkę zasilania do sieci elektrycznej (RYS. 5) (PATRZ NAPIĘCIE W „TABELI DANYCH TECHNICZNYCH”).

▶8.1.5. Wyłącznik włączania umieścić w położeniu „PŁOMIEN” (C RYS. 3). Nagrzewnica powinna włączyć się w ciągu kilku sekund. Jeśli nagrzewnica nie uruchamia się, odnieść się do akapitu „IDENTYFIKACJA PROBLEMU”.

▶8.1.6. Nagrzewnice można używać w trybie wentylacji. Aby uaktywnić tę funkcję, wyłącznik włączania umieścić w pozycji „WENTYLATOR” (C RYS. 3).

▶8.1.7. Nagrzewnicę wyposażono w przycisk umożliwiający kontrolowanie wentylacji (D RYS. 3).

-PRZYCISK AKTYWNY: Wentylacja działa w trybie ciągłym (idealna do skrajnych warunków użytkowania).

-PRZYCISK NIEAKTYWNY: Wentylacja działa w trybie automatycznym (działanie normalne).

▶8.1.8. W przypadku modeli ze sterownikiem pokojowym sprawdzić ustaloną temperaturę (RYS. 6)

UWAGA: W PRZYPADKU WYŁĄCZENIA NAGRZEWNICY, SPOWODOWANEGO WYCZERPANIEM SIĘ PALIWA, NAPEŁNIĆ ZBIORNIK I ZRESETOWAĆ NAGRZEWNICĘ (PATRZ AKAPIT „RESET NAGRZEWNICY”).

WAŻNE: W MODELACH POŚREDNICH, PRODUKTY SPALANIA MOGĄ BYĆ POKIEROWANE NA ZEWNĄTRZ. PRZEWODY WYKONAĆ ZGODNIE Z OBOWIĄZUJĄCYMI PRZEPISAMI I WSKAZANIAMI PODANYMI W ODPOWIEDNIEJ SEKCJI INSTRUKCJI.

▶▶8.2. WYŁĄCZENIE NAGRZEWNICY:

Wyłącznik włączania umieścić w położeniu „0” (C RYS. 3). Płomień gaśnie, a wentylator kontynuuje pracę do momentu całkowitego schłodzenia komory spalania. Nie odłączać wtyczki elektrycznej, dopóki cykl chłodzenia nie zostanie zakończony.

▶▶▶9. RESET NAGRZEWNICY

Jeżeli podczas normalnej pracy wystąpi nieprawidłowość, nagrzewnica się wyłączy.

Aby ponownie uruchomić nagrzewnicę, należy zidentyfikować przyczynę blokady i ją wyeliminować (na przykład niedrożność wlotu powietrza i/lub zasilania powietrzem, zatrzymanie wentylatora, brak paliwa itp.). Jeśli nie uda się wyeliminować problemu, który spowodował blokadę, zadzwonić do centrum pomocy technicznej.

Aby zresetować nagrzewnicę, zalecamy przeprowadzenie poniższej procedury (postępować zgodnie ze wszystkimi instrukcjami bezpieczeństwa):

▶ **RESET TERMOSTATU PRZEGRZANIA** [Kontrolka włączona (H RYS. 3)]: Nagrzewnica osiągnęła maksymalną temperaturę roboczą. Aby zresetować nagrzewnicę, wyeliminować przyczynę, która spowodowała blokadę (ewentualnie zwrócić się do centrum pomocy technicznej), zdjąć pokrywę (RYS. 7), odkręcić nakrętkę i do końca wcisnąć przycisk (I RYS. 3). Następnie dokręcić nakrętkę i założyć pokrywę (RYS. 8).

▶ **RESET PALNIKA** [Kontrolka włączona (F RYS. 3) (RYS. 9)]: Wystąpiła nieprawidłowość palnika. Aby zresetować palnik, wyeliminować przyczynę, która spowodowała blokadę (ewentualnie zwrócić się do centrum pomocy technicznej), zdjąć pokrywę (RYS. 7) i do końca wcisnąć przycisk (RYS. 10). Następnie założyć pokrywę (RYS. 8).

▶ **RESET SILNIKA WENTYLACJI** [Kontrolka włączona (G RYS. 3)]: Silnik wentylacyjny jest zablokowany lub działa nieprawidłowo. Aby zresetować nagrzewnicę, wyłącznik włączania umieścić w położeniu „0” (C RYS. 3), wyeliminować przyczynę, która doprowadziła do blokady (ewentualnie zwrócić się do centrum pomocy technicznej) i ponownie włączyć nagrzewnicę.

▶▶▶ 10. KONFIGURACJA REGULATORA ELEKTRONICZNEGO

WAŻNE: REGULATOR ELEKTRONICZNY (JUŻ USTAWIONY PRZEZ PRODUCENTA), JEŚLI NIE JEST PONOWNIE USTAWIONY, NIE MA WPŁYWU NA PRAWIDŁOWE DZIAŁANIE NAGRZEWNICY.

Regulator elektroniczny (A RYS. 3) steruje włączeniem i wyłączeniem wentylacji w fazie wstępnego nagrzewania i po wentylacji nagrzewnicy.

W zależności od temperatury pokojowej (bardzo zimno lub bardzo gorąco, PATRZ TAB. "KONFIGURACJA REGULATORA ELEKTRONICZNEGO"), może być konieczna zmiana parametru odniesienia.

Procedura konfiguracji:

▶ 10.1. Upewnić się, że wyłącznik włączania znajduje się w pozycji „0”, a wtyczka jest przyłączona do zasilania elektrycznego.

▶ 10.2. Wykonać następującą sekwencję przycisków:
-Nacisnąć na przycisk „SET”.
-Wyświetlić „SP2”, przewijając przyciskami „▼” / „▲”.
-Nacisnąć na przycisk „SET”, aby wejść.
-Ustawić pożądaną temperaturę przyciskami „▼” / „▲”.
-Nacisnąć na przycisk „SET”, aby potwierdzić.

WAŻNE: REGULATOR ELEKTRONICZNY NIE MA FUNKCJI STEROWNIKA POKOJOWEGO.

▶▶▶ 11. CZYSZCZENIE FILTRÓW

▶▶▶ 11.1. FILTR SSĄCY, ZALEŻNIE OD MODELU: (RYS. 11)

W zależności od jakości używanego paliwa może wystąpić konieczność wyczyszczenia filtrów:

▶ 11.1.1. Usunąć kielich (A).

▶ 11.1.2. Wyjąć filtr (B) z kielicha, uważając, aby zachować stan uszczeltek.

▶ 11.1.3. Wyczyścić filtr (B) czystym paliwem, uważając, żeby go nie uszkodzić.

▶ 11.1.4. Ponownie zamontować filtr (B) w kielichu.

▶ 11.1.5. Ponownie zamontować kielich (A), uważając, aby poprawnie z powrotem założyć uszczelki.

▶▶▶ 11.2. FILTR POMPY PALIWA:

Patrz harmonogram konserwacji prewencyjnej.

▶▶▶ 12. PRZECHOWYWANIE I TRANSPORT

OSTRZEŻENIE: PRZED PRZENIESIENIEM NAGRZEWNICĘ NALEŻY ZATRZYMAĆ (PATRZ AKAPIT „WYŁĄCZANIE NAGRZEWNICY”), ODŁĄCZYĆ ZASILANIE ELEKTRYCZNE, WYJMUJĄC WTYCZKĘ Z GNIAZDKA ELEKTRYCZNEGO (RYS. 12) I ODCZEKAĆ NA CAŁKOWITE OSTYGNIEŃCIE NAGRZEWNICY. PRZY PRZENOSZENIU NAGRZEWNICY NALEŻY JĄ TRZYMAĆ POZIOMO.

Aby utrzymać nagrzewnicę w stanie jak największej sprawności, należy przeprowadzić poniższą procedurę (postępować zgodnie ze wszystkimi instrukcjami bezpieczeństwa):

▶ 12.1. Można go podnieść wózkem podnośnikowym za pomocą odpowiednich łańcuchów i haków do zawieszania (nagrzewnica wyposażona jest w śruby oczkowe).

▶ 12.2. Aby jak najlepiej przechować nagrzewarkę, wskazane jest ustawienie jej w suchym miejscu i zabezpieczonym przed uszkodzeniem jej.

▶▶▶ 13. POŁĄCZENIE STEROWNIKA POKOJOWEGO

W modelach przystosowanych do połączenia sterownika pokojowego usunąć zatyczkę połączoną z nagrzewnicą i połączyć sterownik pokojowy (opcja) (RYS. 13-14).

▶▶▶ 14. PORADY DOTYCZĄCE PRZEWODU KANAŁOWEGO

(RYS. 15)

WAŻNE: NIE KANALIZOWAĆ POWIETRZA WLOTOWEGO I/LUB WYLOTOWEGO, CHYBA ŻE PRZY UŻYCIU ORYGINALNYCH ZESTAWÓW (JEŻELI JEST TO PRZEWIDZIANE).

Aby uniknąć problemów z działaniem nagrzewnicy lub obrażeń u ludzi, należy zwrócić uwagę na rozmieszczenie przewodów kanalizowania powietrza. Aby zmniejszyć opór przepływu powietrza, zaleca się, aby umieścić przewody rurowe, zmniejszając liczbę łuków i unikając zakrętów pod ostrymi kątami. Pierwsze kilka metrów nie może mieć kolanek.

OSTRZEŻENIE: PRZED WYKONANIEM JAKIEJKOLWIEK KONSERWACJI LUB NAPRAWY, NALEŻY ODŁĄCZYĆ KABEL ZASILAJĄCY OD SIECI ELEKTRYCZNEJ I UPEWNIĆ SIĘ, ŻE NAGRZEWNICA JEST ZIMNA.

►►► 15. HARMONOGRAM KONSERWACJI PREWENCYJNEJ

KOMPONENT	CZĘSTOTLIWOŚĆ KONSERWACJI	PROCEDURA KONSERWACJI
Filtry	Wyczyścić lub wymienić raz w roku lub w zależności od potrzeb (sprawdzić stan)	Wyczyścić filtry (PATRZ AKAPIT „CZYSZCZENIE FILTRÓW”)
Filtr pompy paliwa	Wyczyścić lub wymienić raz w roku lub w zależności od potrzeb (sprawdzić stan)	Zwrócić się do centrum pomocy technicznej
Elektrody	Wyczyścić lub wymienić w zależności od potrzeb	Zwrócić się do centrum pomocy technicznej
Wentylator	Wyczyścić lub wymienić w zależności od potrzeb	Zwrócić się do centrum pomocy technicznej
Komora spalania	Wyczyścić lub wymienić w zależności od potrzeb	Zwrócić się do centrum pomocy technicznej

►►► 16. OKREŚLANIE PROBLEMU

PROBLEM	MOŻLIWA PRZYCZYNA	PROPONOWANE ROZWIĄZANIE
Nagrzewnica nie uruchamia się lub wyłącza się	<ol style="list-style-type: none"> Wyłącznik włączania w położeniu „0” Brak zasilania Uszkodzony kabel zasilania Komponenty elektroniczne wymagają zresetowania lub są uszkodzone Błędne ustawienia sterownika pokojowego (o ile jest przewidziany) Brak paliwa Obecność substancji obcych w obwodzie spalania Temperatura ustawiona na termostacie cyfrowym jest zbyt wysoka Blokada układu elektronicznego. 	<ol style="list-style-type: none"> Wyłącznik włączania umieścić w położeniu „PŁOMIENI” (C RYS. 3) 2a. Prawidłowo przyłączyć kabel zasilający do gniazdka elektrycznego (RYS. 5) 2b. Sprawdzić, czy w instalacji jest prawidłowe napięcie 3. Zwrócić się do centrum pomocy technicznej 4a. Zresetować nagrzewnicę (PATRZ AKAPIT „RESET NAGRZEWNICY”) 4b. Zwrócić się do centrum pomocy technicznej 5. Posłużyć się sterownikiem pokojowym, ustawiając temperaturę wyższą, niż temperatura otoczenia roboczego (RYS. 6) 6. Uzupełnić paliwo i ewentualnie zresetować nagrzewnicę (PATRZ AKAPIT „RESET NAGRZEWNICY”) 7a. Opróżnić i napełnić zbiornik czystym paliwem. 7b. Wyczyścić filtry (PATRZ AKAPIT „CZYSZCZENIE FILTRÓW”) 7c. Zwrócić się do centrum pomocy technicznej. 8. Obniżyć ustawioną temperaturę termostatu cyfrowego (PATRZ AKAPIT „KONFIGURACJA REGULATORA ELEKTRONICZNEGO”) 9. Zresetować układ elektroniczny (PATRZ AKAPIT „RESET NAGRZEWNICY”)
Nagrzewnica wydziela dym podczas pracy	<ol style="list-style-type: none"> Obecność substancji obcych w obwodzie spalania Zatkanie czerpni powietrza wlotowego 	<ol style="list-style-type: none"> 1a. Opróżnić i napełnić zbiornik czystym paliwem. 1b. Wyczyścić filtry (PATRZ AKAPIT „CZYSZCZENIE FILTRÓW”) 1c. Zwrócić się do centrum pomocy technicznej 2. Usunąć wszelkie możliwe elementy zatykające otwór powietrza
Nagrzewnica nie wyłącza się	<ol style="list-style-type: none"> Temperatura ustawiona na termostacie cyfrowym jest zbyt niska Uszkodzony układ elektroniczny 	<ol style="list-style-type: none"> 1. Podnieść ustawioną temperaturę termostatu cyfrowego (PATRZ AKAPIT „KONFIGURACJA REGULATORA ELEKTRONICZNEGO”) 2. Zwrócić się do centrum pomocy technicznej

ВАЖНО! ПРОЧЕСТЬ И УСВОИТЬ НАСТОЯЩЕЕ ОПЕРАТИВНОЕ РУКОВОДСТВО ПО ЭКСПЛУАТАЦИИ ПЕРЕД ВЫПОЛНЕНИЕМ СБОРКИ, ВВОДОМ В ЭКСПЛУАТАЦИЮ ИЛИ ТЕХОБСЛУЖИВАНИЕМ ОБОГРЕВАТЕЛЯ. НЕПРАВИЛЬНАЯ ЭКСПЛУАТАЦИЯ ОБОГРЕВАТЕЛЯ МОЖЕТ СТАТЬ ПРИЧИНОЙ СЕРЬЁЗНЫХ ТРАВМ ИЛИ СМЕРТЕЛЬНЫХ СЛУЧАЕВ. ХРАНИТЬ НАСТОЯЩЕЕ РУКОВОДСТВО ДЛЯ ДАЛЬНЕЙШЕЙ КОНСУЛЬТАЦИИ.

►►► 1. ОПИСАНИЕ

Данная серия обогревателей предназначена для обогрева помещений средней или большой площади. Обогреватели непрямого нагрева (РИС. 1) благодаря внутреннему теплообменнику позволяют отделять продукты сгорания от горячего воздуха, поступающего в помещение. Таким образом, в обогреваемое помещение поступает поток чистого горячего воздуха, а продукты сгорания выводятся наружу.

Данные обогреватели разработаны в соответствии с самыми современными критериями безопасности, функциональности и надёжности. Защитные устройства гарантируют правильную работу обогревателя.

►►► 2. ТЕХНИКА БЕЗОПАСНОСТИ ПРЕДУПРЕЖДЕНИЯ



ВАЖНО: Этот воздухонагреватель разработан для мобильного и временного профессионального использования. Он не предназначен ни для домашнего применения, ни для создания теплового комфорта человека.



ВАЖНО: Не допускается эксплуатация обогревателя лицами (включая детей) с ограниченными физическими, сенсорными, умственными способностями, а также лицами, не обладающими достаточным опытом и знаниями, если они действуют без присмотра лица, отвечающего за их безопасность. Не оставлять детей без присмотра и не разрешать им играть с оборудованием.



ОПАСНО: Отравление угарным газом может быть смертельным.

Первые симптомы отравления угарным газом напоминают грипп: головные боли, головокружение и/или тошнота. Эти симптомы могут быть вызваны сбоем в работе обогревателя. В СЛУЧАЕ ПОЯВЛЕНИЯ ДАННЫХ СИМПТОМОВ НЕМЕДЛЕННО ВЫЙТИ НА ОТКРЫТЫЙ ВОЗДУХ, также следует обратиться в технический сервисный центр для проведения ремонта обогревателя.

►► 2.1. ЗАПРАВКА:

- 2.1.1. Персонал, ответственный за заправку, должен быть квалифицированным, хорошо знать инструкции изготовителя и действующие правила по безопасной заправке обогревателей.
- 2.1.2. Использовать исключительно вид топлива, который указан на табличке обогревателя.
- 2.1.3. Перед выполнением заправки выключить обогреватель и дождаться его охлаждения.
- 2.1.4. Баки для хранения топлива должны находиться в отдельном помещении.
- 2.1.5. Все баки с топливом должны находиться на минимальном безопасном расстоянии от обогревателя, согласно действующим нормам.

► 2.1.6. Топливо должно храниться в зонах с поверхностью основания, исключающей проникновение или протечку топлива, могущих быть причиной воспламенения.

► 2.1.7. Хранение топлива должно осуществляться в соответствии с правилами и требованиями действующего законодательства.

►► 2.2. БЕЗОПАСНОСТЬ:

► 2.2.1. Не допускается использовать обогреватель в помещениях, в которых присутствует бензин, растворители краски или другие испарения легковоспламеняющихся веществ.

► 2.2.2. При эксплуатации оборудования соблюдать все правила и требования действующего законодательства.

► 2.2.3. Обогреватели, использующиеся в непосредственной близости от брезента, полотен или других подобных материалов покрытия, должны быть расположены на безопасном расстоянии от них. Рекомендуется также использовать для покрытия огнестойкие материалы.

► 2.2.4. Обогреватель использовать только в достаточно открытых и хорошо проветриваемых местах. Обеспечить доступ свежего воздуха снаружи, в соответствии с действующими требованиями и правилами.

► 2.2.5. Напряжение/частота сети питания должны соответствовать данным, указанным на табличке, расположенной на обогревателе.

► 2.2.6. Использовать только удлинители с заземлением.

► 2.2.7. Рекомендуемые минимальные безопасные расстояния между обогревателем и воспламеняющимися веществами: спереди = 2,5 м; сбоку, сверху и сзади = 1,5 м.

► 2.2.8. Во избежание возникновения пожара, горячий или работающий обогреватель должен быть установлен на стабильном и ровном основании.

► 2.2.9. Животные должны находиться на безопасном расстоянии от обогревателя.

► 2.2.10. Отключать обогреватель от сети электропитания, если он не используется.

► 2.2.11. Неотключенный обогреватель, управляемый термостатом, может включиться самостоятельно в любой момент.

► 2.2.12. Никогда не использовать обогреватель в жилых помещениях с частым присутствием людей, а также в спальнях помещениях.

► 2.2.13. Никогда не блокировать воздухозаборник или выход воздуха нагревателя.

► 2.2.14. Не допускается перемещение, заправка, техническое обслуживание горячего или подключенного к сети электропитания обогревателя.

► 2.2.15. Нельзя направлять входящий и/или выходящий воздух в каналы, за исключением использования оригинальных комплектов (если предусмотрено).

- ▶2.2.16. Соблюдать подходящее расстояние между воспламеняющимися или термопластиковыми материалами (включая силовую кабель) и горячими частями обогревателя.
- ▶2.2.17. Если кабель электропитания поврежден, центр сервисного обслуживания должен выполнить его замену, во избежание несчастных случаев.
- ▶2.2.18. Во время работы необходимо убедиться, что противопожарные средства готовы к использованию.
- ▶2.2.19. Если необходимо заменить горелку, следует использовать оригинальные запчасти, строго соблюдая параметры мощности, тип форсунок и давление насоса. Увеличение мощности горелки может повредить обогреватель.

▶▶▶3. СНЯТИЕ УПАКОВКИ

ПРЕДУПРЕЖДЕНИЕ: УПАКОВОЧНЫЙ МАТЕРИАЛ - ЭТО НЕ ИГРУШКА. ХРАНИТЬ ПЛАСТМАССОВЫЙ ПАКЕТ В НЕДОСТУПНОМ ДЛЯ ДЕТЕЙ МЕСТЕ; ОПАСНОСТЬ УДУШЬЯ!

- ▶3.1. Снять все упаковочные материалы, использованные для упаковки и отправки обогревателя. Утилизировать их согласно действующим нормам.
- ▶3.2. Если обогреватель помещен на поддон, аккуратно снять его с поддона, пользуясь подходящими устройствами и инструментами, в соответствии с национальным законодательством и действующими нормами. Его можно поднять при помощи автопогрузчика, пользуясь подходящими цепями и подвесными крюками (обогреватель оснащен рым-болтами).
- ▶3.3. Проверьте, нет ли повреждений, полученных во время перевозки. Если на приборе обнаружены повреждения, необходимо немедленно сообщить об этом представителю продавца по месту приобретения оборудования.

▶▶▶4. СБОРКА

(РИС. 2)

Эти обогреватели оснащены ручками, скобами, опорами и т.п. в зависимости от модели. Эти компоненты, вместе с соответствующими крепежными деталями для монтажа, находятся в упаковке обогревателя.

▶▶▶5. ТОПЛИВО

ПРЕДУПРЕЖДЕНИЕ: ОБОГРЕВАТЕЛЬ РАБОТАЕТ ТОЛЬКО НА ДИЗЕЛЬНОМ ТОПЛИВЕ ИЛИ НА КЕРОСИНЕ. Использовать только дизельное топливо или керосин во избежание пожара или взрыва. Никогда не использовать бензин, нефть, растворители для краски, спирт или другие легковоспламеняющиеся виды топлива. Использовать нетоксичные антифризные добавки при эксплуатации при очень низкой температуре. Желательно использовать зимнее дизельное топливо при температуре ниже 5°C.

▶▶▶6. ПРИНЦИП ДЕЙСТВИЯ

Насос горелки всасывает топливо из бака и подает его на форсунку под давлением, где оно распыляется и смешивается с воздухом, необходимым для поддержания горения, в камере сгорания. Искра зажигает топливно-воздушную смесь, а дымы выходят через дымоход. Ряд датчиков постоянно отслеживает правильность функционирования обогревателя, останавливая рабочий цикл в случае обнаружения сбоев в работе. Вентилятор,

расположенный в задней части обогревателя, служит для охлаждения камеры сгорания и системы дымооборотов с передачей тепла в помещение.

▶▶▶7. ПАНЕЛЬ УПРАВЛЕНИЯ

(РИС. 3)

- A. Электронный регулятор.
- B. Счетчик времени.
- C. Выключатель.
- D. Кнопка управления вентиляцией.
- E. Индикаторная лампа наличия электрического напряжения.
- F. Индикатор сигнала тревоги блокировки горелки.
- G. Индикатор сигнала тревоги блокировки вентилятора.
- H. Индикатор сигнала тревоги перегрева.
- I. Сброс термостата перегрева.
- L. Коннектор горелки.
- M. Предохранитель.
- N. Коннектор дистанционного термостата для контроля помещения.

▶▶▶8. ФУНКЦИОНИРОВАНИЕ

ПРЕДУПРЕЖДЕНИЕ: ВНИМАТЕЛЬНО ПРОЧЕСТЬ "ИНФОРМАЦИЮ ПО ТЕХНИКЕ БЕЗОПАСНОСТИ", ПЕРЕД ТЕМ, КАК ВКЛЮЧИТЬ ОБОГРЕВАТЕЛЬ.

▶▶8.1. ВКЛЮЧЕНИЕ ОБОГРЕВАТЕЛЯ:

- ▶8.1.1. Следовать всем инструкциям по технике безопасности.
- ▶8.1.2. Подсоединить трубы топлива, соблюдая правильные соединения на входе и выходе (РИС. 4).
- ▶8.1.3. Проверить наличие топлива в баке.
- ▶8.1.4. Подсоединить штепсель к розетке подачи электроэнергии (РИС. 5) (СМ. НАПРЯЖЕНИЕ В "ТАБЛИЦЕ ТЕХНИЧЕСКИХ ДАННЫХ").
- ▶8.1.5. Перевести выключатель в положение "ПЛАМЯ" (С РИС. 3). Обогреватель должен включиться в течение нескольких секунд. Если обогреватель не включается, см. параграф "ОПРЕДЕЛЕНИЕ ПРОБЛЕМЫ".
- ▶8.1.6. Обогреватель можно использовать в режиме вентиляции. Для активации этой функции следует перевести выключатель в положение "ВЕНТИЛЯТОР" (С РИС. 3).
- ▶8.1.7. На обогревателе имеется кнопка для управления вентиляцией (D РИС. 3).
-АКТИВИРОВАННАЯ КНОПКА: Вентиляция работает непрерывно (идеально для критических рабочих условий).
-ДЕЗАКТИВИРОВАННАЯ КНОПКА: Вентиляция работает автоматически (обычная работа).
- ▶8.1.8. Для моделей с термостатом помещения проверить заданную температуру (РИС. 6).

ПРИМЕЧАНИЕ: В СЛУЧАЕ ВЫКЛЮЧЕНИЯ ОБОГРЕВАТЕЛЯ ИЗ-ЗА ПОЛНОГО РАСХОДА ТОПЛИВА, ДОЛТЬЕ ТОПЛИВО В БАК И НАЖАТЬ КНОПКУ СБРОСА (СМ. ПАРАГ. "СБРОС ОБОГРЕВАТЕЛЯ").

ВАЖНО: В НЕПРЯМЫХ МОДЕЛЯХ ПРОДУКТЫ СГОРАНИЯ МОГУТ БЫТЬ ВЫВЕДЕНА НАРУЖУ. ВЫПОЛНИТЬ КАНАЛИЗАЦИЮ В СООТВЕТСТВИИ С ДЕЙСТВУЮЩИМИ СТАНДАРТАМИ, СЛЕДОВАТЬ УКАЗАНИЯМ, ПРИВЕДЕННЫМ В СООТВЕТСТВУЮЩЕМ РАЗДЕЛЕ РУКОВОДСТВА.

▶▶8.2. ВЫКЛЮЧЕНИЕ ОБОГРЕВАТЕЛЯ:

Перевести выключатель в положение "0" (С РИС. 3). Пламя погаснет, а вентилятор продолжит работать до полного охлаждения камеры сгорания. Не доставать вилку электропитания из сети до завершения цикла охлаждения.

►►► 9. СБРОС ОБОГРЕВАТЕЛЯ

В случае выявления неполадки в работе, обогреватель выключается.

Перед повторным запуском обогревателя нужно найти и устранить причину, которая привела к блокировке (например, препятствие на входе воздухозаборника и/или при выходе воздуха, остановка вентилятора, отсутствие топлива и т.д.). Если невозможно устранить проблему, которая является причиной блокировки, позвонить в сервисный центр.

Чтобы выполнить сброс обогревателя, рекомендуется выполнить следующую процедуру (соблюдать все инструкции по технике безопасности):

► СБРОС ТЕРМОСТАТА ПЕРЕГРЕВА [Включен индикатор (H РИС. 3)]: Обогреватель достиг максимальной рабочей температуры. Чтобы выполнить сброс обогревателя, необходимо устранить причину блокировки (при необходимости, обратиться в сервисный центр), снять защитную панель (РИС. 7), отвинтить пробку и нажать до конца кнопку (I РИС. 3). Затем снова завинтить пробку и установить на место защитную панель (РИС. 8).

► СБРОС ГОРЕЛКИ [Включен индикатор (F РИС. 3) (РИС. 9)]: Возник сбой в работе горелки. Чтобы выполнить сброс горелки, необходимо устранить причину блокировки (при необходимости, обратиться в сервисный центр), снять защитную панель (РИС. 7) и удерживать нажатой в течение нескольких секунд кнопку (РИС. 10). Затем установить на место защитную панель (РИС. 8).

► СБРОС ДВИГАТЕЛЯ ВЕНТИЛЯЦИИ [Включен индикатор (G РИС. 3)]: Двигатель вентиляции заблокирован или работает неправильно. Чтобы выполнить сброс обогревателя, перевести выключатель в положение "0" (С РИС. 3), устранить причину блокировки (при необходимости, обратиться в сервисный центр) и снова включить обогреватель.

►►► 10. КОНФИГУРАЦИЯ ЭЛЕКТРОННОГО РЕГУЛЯТОРА

ВАЖНО: ЭЛЕКТРОННЫЙ РЕГУЛЯТОР (УЖЕ НАСТРОЕННЫЙ ПРОИЗВОДИТЕЛЕМ), ЕСЛИ НЕ ВЫПОЛНЕНА ЕГО ПОВТОРНАЯ КОНФИГУРАЦИЯ, НЕ НАРУШАЕТ ПРАВИЛЬНУЮ РАБОТУ ОБОГРЕВАТЕЛЯ.

Электронный регулятор (А РИС. 3), контролирует включение и выключение вентиляции на стадии предварительного нагрева и пост-вентиляции обогревателя.

В зависимости от температуры окружающей среды (очень холодный или очень жаркий климат, СМ. ТАБЛ. "КОНФИГУРАЦИЯ ЭЛЕКТРОННОГО РЕГУЛЯТОРА"), может возникнуть необходимость в изменении соответствующего параметра.

Порядок конфигурации:

► 10.1. Убедиться, что выключатель находится в положении "0" и штепсель питания вставлен в розетку электропитания.

► 10.2. Нажать кнопки в следующей последовательности:
-Нажать кнопку "SET" (настройка).
-Отобразить "SP2", пользуясь кнопками "▼" / "▲".
-Нажать кнопку "SET" (настройка), чтобы войти.
-Установить нужную температуру при помощи кнопок "▼" / "▲".
-Нажать кнопку "SET" (настройка), чтобы подтвердить.

ВАЖНО! ЭЛЕКТРОННЫЙ РЕГУЛЯТОР НЕ ВЫПОЛНЯЕТ ФУНКЦИИ ТЕРМОСТАТА В ПОМЕЩЕНИИ.

►►► 11. ПРОЧИСТКА ФИЛЬТРОВ

►► 11.1. АСПИРАЦИОННЫЙ ФИЛЬТР, В ЗАВИСИМОСТИ ОТ МОДЕЛИ:

(РИС. 11)

В зависимости от качества используемого топлива может возникнуть необходимость в очистке фильтров:

► 11.1.1. Снять стакан (А).

► 11.1.2. Достать фильтр (В) из стакана, действуя осторожно, чтобы не потерять уплотнители.

► 11.1.3. Очистить фильтр (В) чистым топливом, действуя осторожно, чтобы не повредить его.

► 11.1.4. Установить фильтр (В) на место в стакан.

► 11.1.5. Установить на место стакан (А), обращая особое внимание на правильную установку уплотнителей.

►► 11.2. ФИЛЬТР ТОПЛИВНОГО НАСОСА:

См. программу профилактического техобслуживания.

►►► 12. ХРАНЕНИЕ И ТРАНСПОРТИРОВКА

ПРЕДУПРЕЖДЕНИЕ: ПЕРЕД ЛЮБЫМ ПЕРЕМЕЩЕНИЕМ НЕОБХОДИМО ОСТАНОВИТЬ ОБОГРЕВАТЕЛЬ (СМ. ПАРАГ. "ВЫКЛЮЧЕНИЕ ОБОГРЕВАТЕЛЯ"), ОТКЛЮЧИТЬ ЭЛЕКТРОПИТАНИЕ, ВЫНУВ ШТЕПСЕЛЬНУЮ ВИЛКУ ИЗ РОЗЕТКИ (РИС. 12) И ДОЖДАТЬСЯ ПОЛНОГО ОХЛАЖДЕНИЯ ОБОГРЕВАТЕЛЯ. ПРИ ПЕРЕМЕЩЕНИИ ОБОГРЕВАТЕЛЯ ПОДДЕРЖИВАТЬ ЕГО В РОВНОМ ПОЛОЖЕНИИ.

Для наилучшего хранения обогревателя, рекомендуется выполнить следующую процедуру (соблюдать все инструкции по технике безопасности):

► 12.1. Его можно поднять при помощи автопогрузчика, пользуясь подходящими цепями и подвесными крюками (обогреватель оснащен рым-болтами).

► 12.2. Для наилучшего хранения обогревателя рекомендуется разместить его в сухом помещении так, чтобы он был защищен от возможных повреждений.

►►► 13. ПОДКЛЮЧЕНИЕ КОМНАТНОГО ТЕРМОСТАТА

В моделях с возможностью подключения комнатного термостата снять крышку и подключить комнатный термостат (опционально) (РИС. 13-14).

►►► 14. УКАЗАНИЯ КАСАТЕЛЬНО ВОЗДУХОПРОВОДА

(РИС. 15)

ВАЖНО: НЕЛЬЗЯ НАПРАВЛЯТЬ ВХОДЯЩИЙ И/ИЛИ ВЫХОДЯЩИЙ ВОЗДУХ В КАНАЛЫ, ЗА ИСКЛЮЧЕНИЕМ ИСПОЛЬЗОВАНИЯ ОРИГИНАЛЬНЫХ КОМПЛЕКТОВ (ЕСЛИ ПРЕДУСМОТРЕНО).

Во избежание проблем в работе обогревателя или нанесения ущерба людям, необходимо обратить внимание на расположение труб воздухопровода. Чтобы уменьшить сопротивление потока воздуха, рекомендуется расположить трубы воздухопровода так, чтобы было как можно меньше изгибов и не было изгибов под острым углом. Первые метры должны быть без изгибов.

ПРЕДУПРЕЖДЕНИЕ: ПЕРЕД ВЫПОЛНЕНИЕМ ЛЮБОГО ВИДА ТЕХОБСЛУЖИВАНИЯ ИЛИ РЕМОНТА ОТСОЕДИНИТЬ КАБЕЛЬ ПИТАНИЯ ОТ ЭЛЕКТРОСЕТИ И УБЕДИТЬСЯ, ЧТО ОБОГРЕВАТЕЛЬ ОСТЫЛ.

► ► ► 15. ПЛАН ПРОФИЛАКТИЧЕСКОГО ТЕХОБСЛУЖИВАНИЯ

КОМПОНЕНТ	ЧАСТОТА ТЕХОБСЛУЖИВАНИЯ	ПРОЦЕДУРА ТЕХОБСЛУЖИВАНИЯ
Фильтры	Чистить или заменять один раз в год или по необходимости (проверять целостность)	Чистить фильтры (СМ. ПАРАГ. "ПРОЧИСТКА ФИЛЬТРОВ")
Фильтр топливного насоса	Чистить или заменять один раз в год или по необходимости (проверять целостность)	Обратиться в сервисный центр
Электроды	Чистить по необходимости	Обратиться в сервисный центр
Крыльчатка	Чистить по необходимости	Обратиться в сервисный центр
Камера сгорания	Чистить по необходимости	Обратиться в сервисный центр

► ► ► 16. ОПРЕДЕЛЕНИЕ ПРОБЛЕМЫ

ПРОБЛЕМА	ВОЗМОЖНАЯ ПРИЧИНА	ВОЗМОЖНОЕ РЕШЕНИЕ
Обогреватель не запускается или не остается включенным	<ol style="list-style-type: none"> 1. Выключатель находится в положении "0" 2. Отсутствие питания 3. Прерван силовой кабель 4. Неисправная электронная система или необходимость выполнить сброс 5. Неправильная настройка комнатного термостата (при наличии) 6. Отсутствие топлива 7. Наличие посторонних веществ в топливном контуре 8. Температура, заданная на цифровом термостате, слишком высокая 9. Электронная система заблокирована 	<ol style="list-style-type: none"> 1. Перевести выключатель в положение "ПЛАМЯ" (С РИС. 3) 2a. Вставить правильно кабель питания в розетку подачи электропитания (РИС. 5) 2b. Проверить правильность напряжения вашей системы 3. Обратиться в сервисный центр 4a. Нажать кнопку сброса на обогревателе (СМ. ПАРАГ. "СБРОС ОБОГРЕВАТЕЛЯ") 4b. Обратиться в сервисный центр 5. Установить на комнатном термостате температуру, превышающую температуру в рабочей среде (РИС. 6) 6. Залить топливо и, при необходимости, выполнить сброс нагревателя (СМ. ПАРАГ. "СБРОС ОБОГРЕВАТЕЛЯ") 7a. Опорожнить и наполнить бак, используя чистое топливо 7b. Чистить фильтры (СМ. ПАРАГ. "ПРОЧИСТКА ФИЛЬТРОВ") 7c. Обратиться в сервисный центр 8. Уменьшить заданную на цифровом термостате температуру (СМ. ПАРАГ. "КОНФИГУРАЦИЯ ЭЛЕКТРОННОГО РЕГУЛЯТОРА") 9. Выполнить сброс электронной системы (СМ. ПАРАГ. "СБРОС ОБОГРЕВАТЕЛЯ")
Обогреватель выпускает дым во время работы	<ol style="list-style-type: none"> 1. Наличие посторонних веществ в топливном контуре 2. Засорение воздухозаборника 	<ol style="list-style-type: none"> 1a. Опорожнить и наполнить бак, используя чистое топливо 1b. Чистить фильтры (СМ. ПАРАГ. "ПРОЧИСТКА ФИЛЬТРОВ") 1c. Обратиться в сервисный центр 2. Удалить все возможные заторы воздухозаборника
Обогреватель не выключается	<ol style="list-style-type: none"> 1. Температура, заданная на цифровом термостате, слишком низкая 2. Неисправная электронная система 	<ol style="list-style-type: none"> 1. Увеличить заданную на цифровом термостате температуру (СМ. ПАРАГ. "КОНФИГУРАЦИЯ ЭЛЕКТРОННОГО РЕГУЛЯТОРА") 2. Обратиться в сервисный центр

ru

DŮLEŽITÉ: PŘEČTĚTE SI A POCHOPTE TENTO NÁVOD DŘÍV, NEŽ PŘÍSTOUPÍTE K MONTÁŽI, UVEDENÍ DO PROVOZU NEBO ÚDRŽBĚ TOHOTO OHŘÍVAČE. NESPRÁVNÉ POUŽITÍ OHŘÍVAČE MŮŽE MÍT ZA NÁSLEDEK VÁŽNÉ ZRANĚNÍ NEBO SMRT. USCHOVEJTE TENTO NÁVOD PRO BUDOUCÍ POUŽITÍ.

►►► 1. POPIS


Tato série horkovzdušných ohřivačů je vhodná zejména pro ohřev středně velkých nebo velkých místností nebo prostor.


Ohřivače s nepřímým vytápěním (OBR. 1) díky vnitřnímu výměníku tepla umožňují oddělit spaliny od horkého vzduchu, který se uvolňuje do okolního prostředí. Tímto způsobem je možné přivádět proud čistého horkého vzduchu do místnosti určené k ohřevu a odvádět spaliny do vnějšího prostředí.


Tyto horkovzdušné ohřivače byly navrženy v souladu s nejmodernějšími standardy bezpečnosti, funkčnosti a provozní životnosti. Bezpečnostní zařízení vždy zajišťují správný provoz ohřivače.

►►► 2. BEZPEČNOSTNÍ INFORMACE UPOZORNĚNÍ

CS

 **DŮLEŽITÉ:** Tento ohřivač vzduchu byl navržen pro mobilní a dočasné profesionální využití. Produkt nebyl navržen pro domácí využití, či zajištění tepelného komfortu osob.

 **DŮLEŽITÉ:** Tento spotřebič není určen pro používání osobami (včetně dětí) se sníženými fyzickými, smyslovými nebo duševními schopnostmi, nebo nezkušenými osobami, pokud nejsou pod dohledem osoby odpovědné za jejich bezpečnost. Děti musí být pod dozorem, aby se zajistilo, že si nebudou s přístrojem hrát.

 **NEBEZPEČÍ:** Udušení oxidem uhelnatým může být fatální.

První příznaky udušení oxidem uhelnatým se podobají chřipce, s bolestmi hlavy, závratěmi a/nebo nevolností. Tyto příznaky mohou být způsobeny nesprávným fungováním ohřivače. V PŘÍPADĚ VÝSKYTU TĚCHTO PŘÍZNAKŮ OKAMŽITĚ VYJDETE VEN Z MÍSTNOSTI a nechte opravit přístroj v technickém servisním středisku.

►►► 2.1. PLNĚNÍ:

- 2.1.1. Pracovníci odpovědní za čerpání pohonných hmot musí být kvalifikovaní a plně obeznámeni s pokyny výrobce a platnými předpisy, které se vztahují k bezpečnosti zásobování topných těles.
- 2.1.2. Používejte pouze typ paliva výslovně uvedený na typovém štítku ohřivače.
- 2.1.3. Před doplňováním paliva vypněte ohřivač a nechte ho vychladnout.
- 2.1.4. Nádrže pro skladování paliva musí být umístěny v samostatném objektu.
- 2.1.5. Všechny palivové nádrže musí být umístěny v minimální bezpečné vzdálenosti od ohřivače v souladu s platnými předpisy.

- 2.1.6. Palivo musí být skladováno v místnostech, kterých podlaha neumožňuje průnik a musí být zamezeno kapání paliva na plameny, které mohou způsobit jeho vznícení.
- 2.1.7. Skladování paliva musí být prováděno v souladu s místními předpisy.
- **2.2. BEZPEČNOST:**
- 2.2.1. Nikdy nepoužívejte ohřivač v místnosti, ve které se vyskytuje benzín, ředidla nebo jiné vysoce hořlavé výpary.
- 2.2.2. Během používání přístroje dodržujte všechny místní předpisy a platné normy.
- 2.2.3. Ohřivače používané v blízkosti plachet, stanů a jiných podobných krycích materiálů musí být umístěny v bezpečné vzdálenosti od nich. Doporučuje se používat ohnivzdorné krycí materiály.
- 2.2.4. Používejte pouze v dobře větraných prostorách. Postarejte se o zabezpečení adekvátního otvoru, v souladu s předpisy, pro přívod čerstvého vzduchu z vnějšího prostředí.
- 2.2.5. Napájejte ohřivač pouze proudem s napětím a frekvencí, jak je uvedeno na typovém štítku.
- 2.2.6. Používejte pouze řádně uzemněné prodlužovací šňůry.
- 2.2.7. Doporučené minimální bezpečnostní vzdálenosti mezi ohřivačem a hořlavými materiály jsou: přední výstup = 2,5 m; boční, horní a zadní = 1,5 m.
- 2.2.8. Umístěte teplý ohřivač, nebo ohřivač v provozu na pevný a rovný povrch, aby se zabránilo nebezpečí vzniku požáru.
- 2.2.9. Udržujte domácí zvířata v bezpečné vzdálenosti od ohřivače.
- 2.2.10. Když přístroj nepoužíváte, odpojte jej od elektrické sítě.
- 2.2.11. Pokud je ohřivač řízen termostatem, může se kdykoliv zapnout.
- 2.2.12. Nikdy nepoužívejte ohřivač v často obývaných místnostech, ani v ložnicích.
- 2.2.13. Nikdy neblokujte otvory sání vzduchu nebo výstup vzduchu ohřivače.
- 2.2.14. Když je ohřivač teplý, zapojený do elektrické sítě anebo v provozu, nesmí se nikdy přemísťovat, manipulovat, doplňovat palivem anebo provádět na něm jakékoli údržbářské zásahy.
- 2.2.15. Vyhněte se usměrňování vzduchu na vstupu a/nebo výstupu jinak, než s použitím původních souprav (v případě potřeby).
- 2.2.16. Udržujte přiměřenou vzdálenost hořlavých materiálů nebo materiálů citlivých na teplo (včetně napájecího kabelu) od horkých částí ohřivače.
- 2.2.17. Je-li napájecí kabel poškozený, musí být vyměněn servisní technickou službou, aby se předešlo jakémukoli riziku.

- ▶ 2.2.18. Během provozu se ujistěte, že protipožární zařízení jsou připravena k použití.
- ▶ 2.2.19. Při výměně hořáku používejte originální náhradní díly, úzkostlivě dodržujte ustanovení o průtoku, typu trysek a tlaku čerpadla. Zvýšení výkonu hořáku může poškodit ohříváč.

▶▶▶ 3. VYBALENÍ

UPOZORNĚNÍ: OBALOVÝ MATERIÁL NENÍ HRAČKA PRO DĚTI. UDRŽUJTE IGELITOVÝ SÁČEK MIMO DOSAH DĚTÍ; NEBEZPEČÍ UDUŠENÍ!

- ▶ 3.1. Odstraňte všechny obalové materiály použité pro balení a expedici ohříváče. Zlikvidujte je podle platných předpisů.
- ▶ 3.2. Pokud je ohříváč umístěn na plošině, opatrně jej spouštějte pomocí vhodných zařízení a prostředků a v souladu s platnými národními předpisy. Je možné ho zvednout pomocí vysokozdvížného vozíku a vhodných řetězů a závěsných háků (ohříváč je opatřen šrouby s oky).
- ▶ 3.3. Zkontrolujte, zda nedošlo k poškození během přepravy. Zdá-li se ohříváč poškozený, okamžitě informujte prodejce, u kterého byl zakoupen.

▶▶▶ 4. MONTÁŽ

(OBR. 2)

Tyto ohříváče jsou vybaveny držadly, držáky, podpěrami atd. v závislosti na modelu. Tyto komponenty, spolu s příslušnými šrouby, se nacházejí v balení s ohříváčem.

▶▶▶ 5. PALIVO

UPOZORNĚNÍ: OHŘÍVAČ PRACUJE POUZE S NAFTOU NEBO PETROLEJEM.

Používejte pouze naftu nebo petrolej, aby se zabránilo nebezpečí vzniku požáru nebo výbuchu. Nikdy nepoužívejte benzin, surovou naftu (ropu), ředidla pro barvy, alkohol a jiné palivové vysoce vznětlivé látky. Používejte netoxické přísady proti zmrznutí v případě velmi nízkých teplot.

Doporučuje se použít zimní naftu při teplotách pod 5°C.

▶▶▶ 6. PRINCIP FUNGOVÁNÍ

Čerpadlo hořáku nasává palivo z nádrže a odešle jej do trysky pod tlakem, kde se rozprašuje a mísí se spalovacím vzduchem ve spalovací komoře. Jiskra spouští spalování, zatímco odpadní plyny jsou vyloučeny z komína. Řada senzorů neustále kontroluje správnou funkci ohříváče zastavením cyklu v případě anomálií. Ventilátor, který je umístěn v zadní části ohříváče, má za úkol ochlazování spalovací komory a oběh spalin přenosem jejich tepla do okolního prostředí.

▶▶▶ 7. OVLÁDACÍ PANEL

(OBR. 3)

- A. Elektronický regulátor.
- B. Počítadlo hodin.
- C. Vypínač zapalování.
- D. Tlačítko pro kontrolu ventilace.
- E. Kontrolka přítomnosti elektrického napětí.

- F. Kontrolka alarmu blokace hořáku.
- G. Kontrolka alarmu blokace ventilace.
- H. Kontrolka alarmu přehřátí.
- I. Reset termostatu přehřátí.
- L. Konektor hořáku.
- M. Pojistka.
- N. Konektor dálkového pokojového termostatu.

▶▶▶ 8. PROVOZ

UPOZORNĚNÍ: PŘED ZAPNUTÍM OHŘÍVAČE SI POZORNĚ PŘEČTĚTE „INFORMACE O BEZPEČNOSTI“.

▶▶ 8.1. ZAPNUTÍ OHŘÍVAČE:

- ▶ 8.1.1. Dodržujte všechny bezpečnostní pokyny.
- ▶ 8.1.2. Připojte palivové potrubí s ohledem na správné vstupní a výstupní spojení (OBR. 4).
- ▶ 8.1.3. Zkontrolujte přítomnost paliva v nádrži.
- ▶ 8.1.4. Připojte napájecí kabel k elektrické síti (OBR. 5) (VIZ NAPĚTÍ V „TABULCE S TECHNICKÝMI ÚDAJI“).
- ▶ 8.1.5. Umístěte vypínač zapalování do polohy „PLAMEN“ (C OBR. 3). Ohříváč by se měl zapnout během několika vteřin. Pokud se ohříváč nespustí, přečtěte si odstavec „URČENÍ PROBLÉMU“.
- ▶ 8.1.6. Ohříváč může být použit v režimu ventilace, k aktivaci této funkce umístěte vypínač zapalování do polohy „VENTILÁTOR“ (C OBR. 3).
- ▶ 8.1.7. Ohříváč má tlačítko, které umožňuje ovládat ventilaci (D OBR. 3).
 - TLAČÍTKO AKTIVNÍ: Ventilace pracuje nepřetržitě (ideální pro extrémní podmínky použití).
 - TLAČÍTKO NEAKTIVNÍ: Ventilace pracuje automaticky (normální provoz).
- ▶ 8.1.8. U modelů s pokojovým termostatem zkontrolujte nastavenou teplotu (OBR. 6).

POZNÁMKA: V PŘÍPADĚ VYPNUTÍ OHŘÍVAČE V DŮSLEDKU VYČERPÁNÍ PALIVA DOPLŇTE PALIVO A RESETUJTE OHŘÍVAČ (VIZ ODS. „RESET OHŘÍVAČE“).

DŮLEŽITÉ: U MODELŮ S NEPŘÍMÝM VYTÁPĚNÍM LZE ODVÁDĚT SPALINY DOVNĚJŠÍHO PROSTŘEDÍ. ZAPOJTE POTRUBÍ PODLE PLATNÝCH PŘEDPISŮ A S RESPEKTOVÁNÍM POKYNŮ UVEDENÝCH V PŘÍSLUŠNÉ ČÁSTI TOHOTO NÁVODU.

▶▶ 8.2. VYPNUTÍ OHŘÍVAČE:

Umístěte vypínač zapalování do polohy „0“ (C OBR. 3). Plamen zhasne a ventilátor běží až do úplného ochlazení spalovací komory. Neodpojujte elektrickou zástrčku až do úplného dokončení chladicího cyklu.

▶▶▶ 9. RESET OHŘÍVAČE

V případě výskytu anomálie během normálního provozu se ohříváč vypne.

Pro opětovné uvedení ohříváče do provozu je nutné najít a odstranit příčinu, která generovala zablokování (např. obstrukce proudění vzduchu na přívodu a/nebo odvodu, zastavení ventilátoru, chybějící palivo, atd.). Pokud nejste schopni vyřešit problém, který způsobil zablokování, kontaktujte servisní středisko.

Chcete-li resetovat ohřivač, doporučujeme postupovat podle následujících pokynů (postupujte podle všech bezpečnostních pokynů):

- ▶ **RESET TERMOSTATU PŘEHŘÁTÍ** [Kontrolka rozsvícená (H OBR. 3)]: Ohřivač dosáhl maximální provozní teploty. Chcete-li resetovat ohřivač, odstraňte příčinu, která způsobila zablokování (případně se obraťte na servisní středisko), odstraňte kryt (OBR. 7), odšroubujte uzávěr a úplně stiskněte tlačítko (I OBR. 3). Pak znovu našroubujte uzávěr a znovu nasadte kryt (OBR. 8).
- ▶ **RESET HOŘÁKU** [Kontrolka rozsvícená (F OBR. 3) (OBR. 9)]: Hořák vykazuje provozní anomálii. Chcete-li resetovat hořák, odstraňte příčinu, která způsobila zablokování (případně se obraťte na servisní středisko), odstraňte kryt (OBR. 7) a několik sekund stiskněte tlačítko (OBR. 10). Pak znovu nasadte kryt (OBR. 8).
- ▶ **RESET MOTORU VENTILACE** [Kontrolka rozsvícená (G OBR. 3)]: Motor ventilace je zablokován nebo funguje abnormálně. Chcete-li resetovat ohřivač, otočte vypínač zapalování do polohy „0“ (C OBR. 3), odstraňte příčinu, která způsobila zablokování (případně se obraťte na servisní středisko) a znovu zapněte ohřivač.

CS

▶▶▶ **10. NASTAVENÍ ELEKTRONICKÉHO REGULÁTORU**

DŮLEŽITÉ: POKUD SE ELEKTRONICKÝ REGULÁTOR (UŽ NASTAVENÝ VÝROBCEM) ZNOVU NENASTAVÍ, NEMÁ TO VLIV NA SPRÁVNOU FUNKCI OHŘÍVAČE.

Elektronický regulátor (A OBR. 3) kontroluje zapínání a vypínání ventilace ve fázi předohřevu a po ventilaci ohřivače.

Na základě teploty prostředí (velmi studené nebo velmi teplé klima (VIZ TAB. „NASTAVENÍ ELEKTRONICKÉHO REGULÁTORU“) se může stát, že bude třeba změnit referenční parametr.

Postup nastavení:

- ▶ 10.1. Ujistěte se, že vypínač zapalování je v poloze „0“ a síťová zástrčka je připojena k elektrické síti.
- ▶ 10.2. Provedte následující postup pomocí tlačítek:
 - Stiskněte tlačítko „SET“.
 - Zobrazte „SP2“ pomocí tlačítek „▼“ / „▲“.
 - Stiskněte tlačítko „SET“ pro přístup.
 - Nastavte požadovanou teplotu pomocí tlačítek „▼“ / „▲“.
 - Stiskněte tlačítko „SET“ pro potvrzení.

DŮLEŽITÉ: ELEKTRONICKÝ REGULÁTOR NEFUNGUJE JAKO TERMOSTAT PROSTŘEDÍ.

▶▶▶ **11. ČIŠTĚNÍ FILTRŮ**

▶▶▶ 11.1. **SACÍ FILTR PODLE MODELU:** (OBR. 11)

V závislosti na kvalitě použitého paliva může být nutné filtry vyčistit:

- ▶ 11.1.1. Odstraňte baňku (A).
- ▶ 11.1.2. Vyjměte filtr (B) z baňky, dávejte pozor na uchování těsnění.

- ▶ 11.1.3. Vyčistěte filtr (B) s čistým palivem, dávejte pozor, abyste jej nepoškodili.
- ▶ 11.1.4. Znovu namontujte filtr (B) do baňky.
- ▶ 11.1.5. Znovu namontujte baňku (A) a dávejte pozor na správné umístění těsnění.

▶▶▶ 11.2. **FILTR PALIVOVÉHO ČERPADLA:**
Viz program preventivní údržby.

▶▶▶ **12. SKLADOVÁNÍ A PŘEPRAVA**

UPOZORNĚNÍ: PŘED JAKÝMKOLI PŘEMÍSTĚNÍM JE POTŘEBNÉ OHŘÍVAČ VYPNOUT (VIZ ODS. „VYPNUTÍ OHŘÍVAČE“), ODPOJTE ELEKTRICKÉ NAPÁJENÍ VYTAŽENÍM ZÁSTRČKY Z ELEKTRICKÉ ZÁSUVKY (OBR. 12) A POČKEJTE NA ÚPLNÉ VYCHLAZENÍ OHŘÍVAČE. MANIPULUJTE S OHŘÍVAČEM VŽDY VE VODOROVNÉ POLOZE.

Chcete-li co nejlépe uchovávat ohřivač, doporučujeme postupovat podle následujících pokynů (postupujte podle všech bezpečnostních pokynů):

- ▶ 12.1. Je možné ho zvednout pomocí vysokozdvizného vozíku a vhodných řetězů a závěsných háků (ohřivač je opatřen šrouby s oky).
- ▶ 12.2. Pro co nejlepší uchování ohřivače se doporučeno uložit jej na suchém místě, chráněném před poškozením.

▶▶▶ **13. PŘIPOJENÍ POKOJOVÉHO TERMOSTATU**

U modelů vybavených připojením pokojového termostatu odstraňte uzávěr na ohřivači a připojte pokojový termostat (volitelné příslušenství) (OBR. 13-14).

▶▶▶ **14. INDIKACE PRO POTRUBÍ**

(OBR. 15)

DŮLEŽITÉ: VYHNĚTE SE USMĚŘOVÁNÍ VZDUCHU NA VSTUPU A/NEBO VÝSTUPU JINAK, NEŽ S POUŽITÍM PŮVODNÍCH SOUPRAV (V PŘÍPADĚ POTŘEBY).

Aby nedošlo k problémům s provozem ohřivače nebo poškozením lidí, je třeba věnovat pozornost uspořádání potrubí vzduchu. Pro snížení odporu proudění vzduchu doporučujeme umístit potrubí tak, aby se snížil počet křivek a zabránilo se ohybům s ostrými úhly. První metry musí být bez zakřivení.

UPOZORNĚNÍ: PŘED PROVEDENÍM JAKÉKOLIV ÚDRŽBY ANEBU OPRAVY ODPOJTE NAPÁJECÍ KABEL Z ELEKTRICKÉ SÍTĚ A UBEZPEČTE SE, ŽE OHŘÍVAČ JE STUDENÝ.

►►► 15. PROGRAM PREVENTIVNÍ ÚDRŽBY

KOMPONENT	ČETNOST ÚDRŽBY	POSTUP ÚDRŽBY
Filtry	Vyčistěte nebo vyměňte jednou za rok nebo podle potřeby (kontrola integrity)	Vyčistěte filtry (VIZ ODST. „ČIŠTĚNÍ FILTRŮ“)
Filtr palivového čerpadla	Vyčistěte nebo vyměňte jednou za rok nebo podle potřeby (kontrola integrity)	Obráťte se na technické servisní středisko
Elektrody	Vyčistěte podle potřeby	Obráťte se na technické servisní středisko
Ventilátor	Vyčistěte podle potřeby	Obráťte se na technické servisní středisko
Spalovací komora	Vyčistěte podle potřeby	Obráťte se na technické servisní středisko

►►► 16. URČENÍ PROBLÉMU

PROBLÉM	MOŽNÁ PŘÍČINA	MOŽNÉ ŘEŠENÍ
Ohříváč se nespustí nebo nezůstane zapnutý	<ol style="list-style-type: none"> Vypínač zapalování je v poloze „0“ Chybí napájení Napájecí kabel přerušen Elektronika k resetování nebo vadná Nesprávné nastavení pokojového termostatu (pokud je přítomen) Chybí palivo Přítomnost cizích látek v palivovém okruhu Teplota nastavená na digitálním termostatu je příliš vysoká Elektronika zablokována 	<ol style="list-style-type: none"> Umístěte vypínač zapalování do polohy „PLAMEN“ (C OBR. 3) 2a. Správně zasuňte napájecí kabel do zásuvky elektrické sítě (OBR. 5) 2b. Zkontrolujte správné napětí vašeho zařízení 3. Obráťte se na technické servisní středisko 4a. Resetujte ohříváč (VIZ ODST. „RESET OHŘÍVAČE“) 4b. Obráťte se na technické servisní středisko 5. Působte na pokojový termostat nastavením teplotu vyšší, než je pracovní prostředí (OBR. 6) 6. Doplňte palivo a případně ohříváč resetujte (VIZ ODST. „RESET OHŘÍVAČE“) 7a. Vyprázdněte a naplňte nádrž čistým palivem 7b. Vyčistěte filtry (VIZ ODST. „ČIŠTĚNÍ FILTRŮ“) 7c. Obráťte se na technické servisní středisko 8. Snižte teplotu nastavenou na digitálním termostatu (VIZ ODST. „NASTAVENÍ ELEKTRONICKÉHO REGULÁTORU“) 9. Resetujte elektroniku (VIZ ODST. „RESET OHŘÍVAČE“)
Ohříváč produkuje kouř během provozu	<ol style="list-style-type: none"> Přítomnost cizích látek v palivovém okruhu Obstrukce vstupujícího přívodu vzduchu 	<ol style="list-style-type: none"> 1a. Vyprázdněte a naplňte nádrž čistým palivem 1b. Vyčistěte filtry (VIZ ODST. „ČIŠTĚNÍ FILTRŮ“) 1c. Obráťte se na technické servisní středisko 2. Odstraňte všechny možné překážky z otvoru proudění vzduchu
Ohříváč se nevypne	<ol style="list-style-type: none"> Teplota nastavená na digitálním termostatu je příliš nízká Vadná elektronika 	<ol style="list-style-type: none"> 1. Zvyšte teplotu nastavenou na digitálním termostatu (VIZ ODST. „NASTAVENÍ ELEKTRONICKÉHO REGULÁTORU“) 2. Obráťte se na technické servisní středisko

FONTOS: A HŐLÉGFÚVÓ ÖSSZESZERELÉSE, ÜZEMBE HELYEZÉSE VAGY KARBANTARTÁSA ELŐTT FIGYELMESEN OLVASSA EL ÉS ÉRTSE MEG AZ ALÁBBI HASZNÁLATI UTASÍTÁSBAN LEÍRT INFORMÁCIÓKAT. A HŐLÉGFÚVÓ HELYTELEN HASZNÁLATA KOMOLY TESTI SÉRÜLÉSEKET OKOZHAT. A HASZNÁLATI UTASÍTÁST TARTSA MEG KÉSŐBBI HIVATKOZÁSHOZ.

▶▶▶ 1. LEÍRÁS

Ezek a meleg levegős hőlégfűvők közepes és nagy kiterjedésű helyiségek, terek melegítésére szolgálnak.

Az indirekt fűtésű hőlégfűvők (ÁBRA 1) egy hőcserélőnek köszönhetően lehetővé teszik az égéstermék és a környezetbe jutó meleg levegő szétválasztását. Ily módon lehetőség van a tiszta meleg levegőnek a fűtendő helyiségbe történő beáramoltatására és az égéstermékek kültérbe irányítására.

Ezek a meleg levegős hőlégfűvők a legmodernebb biztonságot, működést és élettartamot biztosító követelmények szerint lettek tervezve. Biztonsági berendezések biztosítják a hőlégfűvők rendeltetésszerű működését.

▶▶▶ 2. BIZTONSÁGI SZABÁLYOK FIGYELMEZTETÉSEK



FONTOS: A léghevítőt kizárólag mobil, ideiglenes szakipari alkalmazásokban történő felhasználásra tervezték. A termék nem alkalmas háztartási használatra illetve személyi kényelem biztosítására.



FONTOS: A készüléket csökkent értelmi, fizikai képességű vagy megfelelő tapasztalattal nem rendelkező személyek (beleértve a gyermekeket is) nem használhatják, kivéve, ha biztonságukról gondosodik egy a készülék használatát felügyelő személy. A gyermekeknek ne engedje, hogy játsszanak a készülékkel.



VESZÉLY: A szénmonoxid mérgezés halálos kimenetelű lehet.

A szén-monoxid mérgezés első jelei hasonlítanak az influenza tüneteire: fejfájás, szédülés és/vagy hányinger. Ezen tüneteket a melegítő meghibásodása okozhatja. **AMENNYIBEN EZEKET A TÜNETEKET ÉSZLELI, AZONNAL MENJEN KI A SZABAD LEVEGŐRE** és javíttassa meg a hőlégfűvőt a műszaki szervizszolgálattal.

▶▶▶ 2.1. FELTÖLTÉS:

- ▶ 2.1.1. A hőlégfűvő feltöltését a gyártói utasítások és a hőlégfűvő feltöltésének biztonságos feltöltésére vonatkozó érvényben lévő szabályok teljes ismeretében lévő szakember végezheti.
- ▶ 2.1.2. Kizárólag a melegítő azonosító tábláján lévő tüzelőanyagot használja.
- ▶ 2.1.3. A feltöltés előtt kapcsolja le a melegítőt, majd várja meg míg kihűl.
- ▶ 2.1.4. A fűtőanyag tárolóknak elkülönített szerkezetben kell lenniük.
- ▶ 2.1.5. Az érvényben lévő szabályoknak megfelelően a fűtőanyag tartályoknak a minimális biztonsági távolságra kell lenniük a hőlégfűvőtől.

- ▶ 2.1.6. A fűtőanyagot olyan helyen tárolja, ahol a padlózat nem teszi lehetővé a penetrációt és a fűtőanyag cseppek nem okoznak öngyulladást.
- ▶ 2.1.7. A fűtőanyag tárolását az érvényben lévő szabályoknak megfelelően kell végezni.
- ▶▶▶ 2.2. BIZTONSÁG:
- ▶ 2.2.1. Soha ne használja a melegítőt olyan helyiségben, ahol benzint, hígítót tárol, vagy egyéb gyúlékony gőz keletkezhet.
- ▶ 2.2.2. A melegítő használata során tartsa be a helyi előírásokat és a vonatkozó szabványokat.
- ▶ 2.2.3. Ha a hőlégfűvőt ponyvák, vásznak vagy egyéb takaró anyagok közelében használja, tartson megfelelő biztonsági távolságot. Azt tanácsoljuk, használjon tűzálló takaróponyvákat.
- ▶ 2.2.4. A hőlégfűvőt kizárólag jól szellőző helyen használja. Biztosítson az érvényben lévő szabályoknak megfelelően tág teret friss levegő beengedésére.
- ▶ 2.2.5. A hőlégfűvőt kizárólag olyan hálózatra csatlakoztassa, amelynek feszültsége és frekvenciája megegyezik a készülék azonosító adattábláján feltüntetett frekvencia és feszültség adatokkal.
- ▶ 2.2.6. Kizárólag megfelelően földelt hosszabbítókábelt használjon.
- ▶ 2.2.7. A minimum ajánlott biztonsági távolság a hőlégfűvő és a gyúlékony anyagok között: elülső kimenetnél = 2,5 m; oldalsó, felső és hátsó távolság = 1,5 m.
- ▶ 2.2.8. A tűzveszély elkerülése érdekében helyezze a meleg vagy még működő melegítőt egy stabil vízszintes felületre.
- ▶ 2.2.9. Az állatokat tartsa a melegítőtől biztonságos távolságban.
- ▶ 2.2.10. Amikor a készüléket nem használja, húzza ki a dugót a hálózati csatlakozóból.
- ▶ 2.2.11. Amikor a melegítőt termosztát vezérli, az bármikor bekapcsolhat.
- ▶ 2.2.12. Ne használja a hőlégfűvőt gyakran látogatott helyeken, és hálószobákban.
- ▶ 2.2.13. Ne fedje le a hőlégfűvő levegőbeszívó- és kifűvő nyílásait.
- ▶ 2.2.14. Ne helyezze át, ne töltsön fel a hőlégfűvőt, és ne végezzen rajta karbantartási munkálatokat illetve egyéb beavatkozásokat, ha a működik vagy csatlakoztatva van az elektromos hálózatra.
- ▶ 2.2.15. A kimenő és bemenő levegő terelését eredeti készlettel (ahol biztosított) végezze.
- ▶ 2.2.16. A készülék forró részeit tartsa gyúlékony vagy hőre lágyuló anyagoktól (a tápvezeték beleértve) biztonságos távolságra.
- ▶ 2.2.17. A balesetveszély elkerülése érdekében ha a tápvezeték sérült, cseréltesse ki márkaszervizben.
- ▶ 2.2.18. Biztosítsa, hogy miközben a berendezés üzemel, a tűzoltó készülékek elérhető távolságra legyenek.

►2.2.19. Az égő cseréhez használjon eredeti alkatrészeket, valamint a művelet során szigorúan tartsa tiszteletben a távolságokra, a fűvókák típusára és a szivattyú nyomásra vonatkozó előírásokat. Az égő teljesítményének növelése kárt tehet a hőlégfűvóban.

►►► 3. KICSOMAGOLÁS

FIGYELMEZTETÉS: A CSOMAGOLÓANYAG NEM JÁTÉKSZER. TARTSA A MŰANYAG TASAKOT GYERMEKEKTŐL TÁVOL, MERT FULLADÁSVESZÉLYES!

►3.1. Távolítsa el a hőlégfűvóról az összes csomagoláshoz és szállításhoz használt anyagot. Selejtezze őket az érvényben lévő szabályoknak megfelelően.

►3.2. Amennyiben a hőlégfűvó raklapra lett helyezve, óvatosan emelje le onnan a megfelelő eszközök és tartozékok használatával, követve a helyben hatályos törvényi előírásokat és szabványokat. A berendezés felemelése targoncával is történhet a megfelelő láncok és emelőhorgok használatával (a hőlégfűvóra szemes csavarok lettek felszerelve az emeléshez).

►3.3. Ellenőrizze, hogy a készülék nem sérült-e meg a szállítás közben. Amennyiben a hőlégfűvón sérülések láthatók, forduljon haladéktalanul ahhoz a márkakereskedőhöz, ahol a terméket vásárolta.

►►► 4. ÖSSZESZERELÉS

(ÁBRA 2)

Ezek a hőlégfűvók modelltől függően kézikarral, konzolokkal és tartóelemekkel stb. vannak felszerelve. Ezek az elemek a felszereléshez szükséges csavarokkal együtt a csomagolás belsejében található.

►►► 5. TÜZELŐANYAG

FIGYELMEZTETÉS: A HŐLÉGFŰVÓ KIZÁRÓLAG GÁZOLAJJAL VAGY KEROZINNAL MŰKÖDIK.

Tűz- vagy robbanásveszély elkerülésére használjon kizárólag dízelt vagy kerozint. Soha ne használjon benzint, gázolajat, oldószereket, alkoholt vagy más gyúlékony fűtőanyagot.

Nagyon alacsony hőmérséklet esetén használjon fagyálló nem mérgező adalékanyagokat.

+5°C alatti hőmérsékletnél ajánlott a téli gázolaj használata.

►►► 6. MŰKÖDÉSI ELV

Az égő szivattyúja a tartályból szívja a tüzelőanyagot, és nyomás alatt álló a fűvókához juttatja azt, ahol az porlasztva keveredik az égési levegővel az égéstérben. Egy szikra begyújtja az égést miközben a füst a kéményen keresztül távozik. Érzékelők ellenőrzik folyamatosan a hőlégfűvó megfelelő működését, melyek rendellenesség esetén leállítják a ciklust. A hőlégfűvó hátoldalán lévő ventilátor feladat az égéstér és a füstkivezető hűtése, az által, hogy azok hőjét leadja a környezetnek.

►►► 7. VEZÉRLŐ

(ÁBRA 3)

A. Elektromos szabályozó.

B. Óra számláló.

C. Kapcsoló.

D. Szellőzés ellenőrző gomb.

E. Bekapcsolást jelző lámpa.

F. Égő leállási riasztást jelző lámpa.

G. Szellőzés leállási riasztást jelző lámpa.

H. Túlmelegedés jelző lámpa.

I. Túlmelegedés termosztát visszacsatoló gomb.

L. Égő csatlakozó.

M. Olvadó biztosíték.

N. Távoli szobatermosztát csatlakozója.

►►► 8. MŰKÖDÉS

FIGYELMEZTETÉS: A MELEGÍTŐ BEKAPCSOLÁSA ELŐTT OLVASSA EL FIGYELMESEN A „BIZTONSÁGI SZABÁLYOK” C. FEJEZETET.

►►8.1. A MELEGÍTŐ BEKAPCSOLÁSA:

►8.1.1. Járjon el a biztonsági előírásoknak megfelelően.

►8.1.2. Csatlakoztassa a tüzelőanyag csöveket a bemenetek és kimenetek tiszteletben tartásával (ÁBRA 4).

►8.1.3. Ellenőrizze, hogy van-e a fűtőanyag a tartályban.

►8.1.4. Csatlakoztassa a hálózati csatlakozót az elektromos hálózathoz (ÁBRA 5) (FESZÜLT SÉGET LÁSD A "MŰSZAKI ADATOK TÁBLÁZATÁBAN").

►8.1.5. Állítsa a berendezés kapcsolóját „LÁNG” állásba (C ÁBRA 3). A melegítő néhány másodperc múlva bekapcsol. Amennyiben a hőlégfűvó nem indul el, olvassa el a "PROBLÉMA FELTÁRÁSA" című fejezetet.

►8.1.6. A hőlégfűvó szellőztetési módban is használható. Ennek a funkciónak a bekapcsolásához fordítsa a kapcsolót „VENTILÁTOR” állásba (C ÁBRA 3).

►8.1.7. A hőlégfűvóra egy a szellőzést szabályozó gomb is fel van szerelve (D ÁBRA 3).

-A GOMB AKTÍV: A szellőzés folyamatos (ideális szélsőséges körülmények között történő használat esetén).

-A GOMB INAKTÍV: A szellőzés működése automatikus (normál üzemhez).

►8.1.8. Külső termosztáttal felszerelt modellek esetén ellenőrizze a beállított hőmérsékletet (ÁBRA 6).

MEGJEGYZÉS: HA A HŐLÉGFŰVÓT AMIATT KELL LEKAPCSOLNI, MERT A FŰTŐANYAG KIFOGYOTT, TÖLTSE FEL A TARTÁLYT, MAJD INDÍTSA ÚJRA A HŐLÉGFŰVÓT (LÁSD „A HŐLÉGFŰVÓ ÚJRAINDÍTÁSA” C. FEJEZETET).

FONTOS: INDIREKT FŰTÉSŰ MODELLEKNÉL AZ ÉGÉSTERMÉK A CSŐRENDSZEREN KERESZTÜL A KÜLSŐ KÖRNYEZETBE VEZETHETŐ. A CSŐRENDSZER KIÉPÍTÉSÉT AZ ÉRVÉNYBEN LÉVŐ SZABÁLYOKNAK MEGFELELŐEN VÉGEZZE EL, TARTSA BE A KÉZIKÖNYV MEGFELELŐ BEKEZDÉSEINEK ELŐÍRÁSAIT.

►►8.2. A HŐLÉGFŰVÓ KIKAPCSOLÁSA:

Állítsa a hőlégfűvó kapcsolóját „0” állásba (ÁBRA 3). A láng kialszik, a ventilátor az égéstér teljes kihűléséig tovább működik. A hűtési ciklus befejezéséig ne húzza ki a csatlakozó dugót az aljzatból.

►►► 9. A HŐLÉGFŰVÓ ÚJRAINDÍTÁSA

A készülék normál működésének rendellenessége esetén a hőlégfűvó kikapcsol.

A hőlégfűvó ismételt üzembe helyezéséhez azonosítsa és szüntesse meg a hőlégfűvó leállítását okozó problémát (pl. az égési levegő rendszer eltömődése a bemeneti nyílásnál

és/vagy a levegő előremenő vezetékben, ventilátor leállása, elfogyott a tüzelőanyag stb...). Amennyiben nem sikerül megszüntetni a hőlégfűvő leállítását okozó problémát, forduljon a műszaki szerviz szolgálathoz.

A hőlégfűvő újraindításának menete a következő (a biztonsággal kapcsolatos összes előírás betartandó):

- ▶ **TÚLMELEGEDÉSI TERMOZTATÓ VISSZAKAPCSOLÁSA** [lámpa világít (H ÁBRA 3)]: A hőlégfűvő elérte a megengedett maximális üzemi hőmérsékletet. A hőlégfűvő visszakapcsolásához szüntesse meg a leállást kiváltó okot (szükség esetén forduljon a vevőszolgálathoz), vegye le a burkolatot (ÁBRA 7), csavarja le a fedelet, és nyomja be teljesen a gombot (I ÁBRA 3). Ezután csavarja vissza a fedelet, és tegye vissza a burkolatot (ÁBRA 8).
- ▶ **AZ ÉGŐ VISSZAKAPCSOLÁSA** [Lámpa világít (F ÁBRA 3) (ÁBRA 9)]: Az égőn üzemzavar lépett fel. Az égő visszakapcsolásához szüntesse meg a leállást kiváltó okot (szükség esetén forduljon a vevőszolgálathoz), vegye le a burkolatot (ÁBRA 7), nyomja be, és tartsa néhány másodpercig teljesen a gombot (ÁBRA 10). Ezután tegye vissza a burkolatot (ÁBRA 8).
- ▶ **A SZELLŐZTETŐ MOTOR VISSZAKAPCSOLÁSA** [Lámpa világít (G ÁBRA 3)]: A szellőztető motor leállt, vagy a működésében zavar lépett fel. A hőlégfűvő visszakapcsolásához állítsa a kapcsolót „0” állásba (C ÁBRA 3), szüntesse meg a leállást kiváltó okot (szükség esetén forduljon a vevőszolgálathoz), majd kapcsolja vissza a hőlégfűvőt.

hu

▶▶▶ **10. AZ ELEKTROMOS SZABÁLYOZÓ KONFIGURÁLÁSA**

FONTOS: AZ ELEKTROMOS SZABÁLYOZÓ (A BEÁLLÍTÁSÁT MÁR A GYÁRTÓ ELVÉGEZTE) NEM AKADÁLYOZZA A LÉGHEVÍTŐ HELYES MŰKÖDÉSÉT, HA NEM LESZ ÁTÁLLÍTVA.

Az elektromos szabályozó (A ÁBRA 3) ellenőrzi a léghevítő előmelegítési és utóhűtési szakaszaiban a ventilátor be- és kikapcsolását.

A környezeti hőmérséklet függvényében (nagyon hideg vagy nagyon meleg éghajlat LÁSD AZ „AZ ELEKTROMOS SZABÁLYOZÓ KONFIGURÁLÁSA” CÍMŰ TÁBLÁZATOT) szükség lehet a referencia paraméter módosítására.

A konfigurálás menete:

- ▶ 10.1. Ellenőrizze, hogy a kapcsolót „0” állásba állította-e, és a tápvezeték csatlakoztatva van-e az elektromos hálózatra.
- ▶ 10.2. Nyomja meg a gombokat a következő sorrend szerint:
 - Nyomja meg a „SET” gombot.
 - A „▼” / „▲” gombok segítségével keresse meg az „SP2” paramétert.
 - A megnyitáshoz nyomja meg a „SET” gombot.
 - Állítsa be a kívánt hőmérsékletet a „▼” / „▲” gombokkal.
 - A megerősítéshez nyomja meg a „SET” gombot.

FONTOS: AZ ELEKTROMOS SZABÁLYOZÓNAK NINCS SZOBATERMOZTATÓ FUNKCIÓJA.

▶▶▶ **11. SZŰRŐK TISZTÍTÁSA**

▶▶ 11.1. **ÉGÉSI LEVEGŐ BESZÍVÓ SZŰRŐ, MODELLTŐL FÜGGŐEN:**

(ÁBRA 11)

A használt üzemanyag minőségétől függően szükségessé válhat a szűrők megtisztítása:

- ▶ 11.1.1. Távolítsa el a poharat (A).
- ▶ 11.1.2. Vegye ki a szűrőt (B) a pohárból, és közben figyeljen oda a tömítések megóvására.
- ▶ 11.1.3. Tisztítsa le a szűrőt (B) tiszta tüzelőanyaggal, és közben figyeljen oda arra, hogy ne károsítsa a szűrőt.
- ▶ 11.1.4. Szerelje vissza a szűrőt (B) a pohárba.
- ▶ 11.1.5. Szerelje vissza a poharat (A) és közben figyeljen oda arra, hogy megfelelően helyezze vissza a tömítéseket.

▶▶ 11.2. **FŰTŐANYAG SZIVATTYÚ SZŰRŐJE:**

Lásd megelőző karbantartás.

▶▶▶ **12. TÁROLÁS ÉS SZÁLLÍTÁS**

FIGYELMEZTETÉS: A HŐLÉGFŰVŐ ÁTHELYEZÉSE ELŐTT ÁLLÍTSA LE A BERENDEZÉST (LÁSD A „HŐLÉGFŰVŐ KIKAPCSOLÁSA” CÍMŰ FEJEZETET), HÚZZA KI A TÁPCSATLAKOZÓT AZ ELEKTROMOS HÁLÓZAT CSATLAKOZÓJÁBÓL (ÁBRA 12), ÉS VÁRJA MEG, HOGY A HŐLÉGFŰVŐ TELJESEN KIHŰLJÖN. A HŐLÉGFŰVŐ MOZGATÁSA KÖZBEN TARTSA A BERENDEZÉST VÍZSZINTESEN.

A hőlégfűvő megfelelő tárolásának előkészítése a következőképpen történik (a biztonsággal kapcsolatos összes előírás betartandó):

- ▶ 12.1. A berendezés felemelése targoncával is történhet a megfelelő láncok és emelőhorgok használatával (a hőlégfűvőre szemes csavarok lettek felszerelve az emeléshez).
- ▶ 12.2. Javasoljuk, hogy a minél megfelelőbb tárolás érdekében helyezze a fűtőberendezést száraz és az esetleges károsodásoktól védett helyre.

▶▶▶ **13. KÖRNYEZETI LEVEGŐ TERMOZTATÓ CSATLAKOZTATÁSA**

Termosztát csatlakoztatására előkészített modellek esetén távolítsa el a hőlégfűvőhöz csatlakoztatott fedelet, és kösse be a környezeti levegő termostátot (opcionális) (ÁBRA 13-14).

▶▶▶ **14. ÚTMUTATÓ CSŐRENDSZER KIALAKÍTÁSÁHOZ**

(ÁBRA 15)

FONTOS: A KIMENŐ ÉS BEMENŐ LEVEGŐ CSATORNÁZÁSÁT EREDETI KÉSZLETTEL (AHOL BIZTOSÍTOTT) VÉGEZZE.

A működési problémák vagy a károk illetve személyi sérülések elkerülése érdekében ügyeljen a légcsatornák elhelyezésére. A levegő áramlását akadályozó tényezők csökkentése érdekében tanácsos a csövekbe minél kevesebb könyökidomot beépíteni, és kerülni a hegyes szögű sarkokat. Az első néhány méteren tilos könyökidomokat beépíteni.

FIGYELMEZTETÉS: BÁRMELY KARBANTARTÁSI VAGY JAVÍTÁSI BEAVATKOZÁS ESETÉN VÁLASSZA LE A HŐLÉGFŰVŐT A HÁLÓZATRÓL ÉS ELLENŐRIZZE, HOGY A HŐLÉGFŰVŐ KIHÚLT-E.

►►► 15. MEGELŐZŐ KARBANTARTÁSI PROGRAM

ALKATRÉSZ	KARBANTARTÁS GYAKORISÁGA	KARBANTARTÁS FOLYAMATA
Szűrők	Tisztítsa vagy cserélje évente vagy szükség szerint (ellenőrizze a szűrők épségét)	Tisztítsa meg a szűrőket (LÁSD A „SZŰRŐK TISZTÍTÁSA” CÍMŰ BEKEZDÉST)
Fűtőanyag szivattyú szűrője	Tisztítsa vagy cserélje évente vagy szükség szerint (ellenőrizze a szűrők épségét)	Forduljon a vevőszolgálathoz
Elektródák	Tisztítsa szükség szerint	Forduljon a vevőszolgálathoz
Ventilátor	Tisztítsa szükség szerint	Forduljon a vevőszolgálathoz
Égéskamra	Tisztítsa szükség szerint	Forduljon a vevőszolgálathoz

►►► 16. PROBLÉMA FELTÁRÁSA

PROBLÉMA	LEHETSÉGES OK	LEHETSÉGES MEGOLDÁS
A hőlégfűvő nem indul el vagy nem kapcsol be	<ol style="list-style-type: none"> 1. A kapcsoló „0” állásban van 2. Az áramellátás nem biztosított 3. A tápkábel megszakadt 4. Elektronika hibás vagy újra kell indítani 5. Környezeti levegő termostát hibásan van beállítva (ahol van) 6. Nincs fűtőanyag 7. A tüzelőanyag ellátó rendszerben idegen anyag van 8. A digitális termostáton beállított hőmérséklet túl magas 9. Az elektronika kikapcsolt 	<ol style="list-style-type: none"> 1. Állítsa a berendezés kapcsolóját „LÁNG” állásba (ÁBRA 3) 2a. Csatlakoztassa megfelelően a tápkábelt az elektromos hálózatba (ÁBRA 5) 2b. Ellenőrizze a berendezés megfelelő feszültségét 3. Forduljon a vevőszolgálathoz 4a. Indítsa újra a hőlégfűvőt (LÁSD A „HŐLÉGFŰVŐ ÚJRAINDÍTÁSA” CÍMŰ FEJEZETET) 4b. Forduljon a vevőszolgálathoz 5. Állítsa a környezeti levegő termostát hőmérsékletét a munkakörnyezetnél nagyobb hőmérsékletre (ÁBRA 6) 6. Töltse fel a tartályt fűtőanyaggal majd indítsa újra a hőlégfűvőt (LÁSD A „HŐLÉGFŰVŐ ÚJRAINDÍTÁSA” CÍMŰ FEJEZETET) 7a. Ürítse ki a tartályt majd töltsen fel tiszta fűtőanyaggal 7b. Tisztítsa meg a szűrőket (LÁSD A „SZŰRŐK TISZTÍTÁSA” CÍMŰ FEJEZETET) 7c. Forduljon a vevőszolgálathoz 8. Csökkentse a digitális termostáton a beállított hőmérsékletet (LÁSD A „AZ ELEKTROMOS SZABÁLYOZÓ KONFIGURÁLÁSA” CÍMŰ FEJEZETET) 9. Indítsa újra a hőlégfűvőt (LÁSD A „HŐLÉGFŰVŐ ÚJRAINDÍTÁSA” CÍMŰ FEJEZETET)
A hőlégfűvő működése közben füst keletkezik	<ol style="list-style-type: none"> 1. A tüzelőanyag ellátó rendszerben idegen anyag van 2. Légbeszívó bemeneténél dugulás van 	<ol style="list-style-type: none"> 1a. Ürítse ki a tartályt majd töltsen fel tiszta fűtőanyaggal 1b. Tisztítsa meg a szűrőket (LÁSD A „SZŰRŐK TISZTÍTÁSA” CÍMŰ FEJEZETET) 1c. Forduljon a vevőszolgálathoz 2. Távolítsa el minden lehetséges dugulást a levegő beszívó nyílásnál
A hőlégfűvő nem kapcsol ki	<ol style="list-style-type: none"> 1. A digitális termostáton beállított hőmérséklet túl alacsony 2. Hibás elektronika 	<ol style="list-style-type: none"> 1. Növelje a digitális termostáton a beállított hőmérsékletet (LÁSD A „AZ ELEKTROMOS SZABÁLYOZÓ KONFIGURÁLÁSA” CÍMŰ FEJEZETET) 2. Forduljon a vevőszolgálathoz

POMEMBNO: PRED MONTAŽO, PRVIM ZAGONOM IN VZDRŽEVALNIMI POSEGI NA TEM GRELNIKU PREBERITE UPORABNIŠKI PRIROČNIK IN SE SEZANITE Z NJEGOVO VSEBINO. NAPAČNA UPORABA GRELNICA IMA LAHKO ZA POSLEDICO HUDE POŠKODBE. TA PRIROČNIK SKRBNO SHRANITE IN GA IMEJTE VEDNO PRI ROKI.

►►► 1. OPIS

Ta serija grelnikov toplega zraka je še posebej primerna za prostore ali lokale srednjih ali velikih dimenzij.

Grelniki na posredno ogrevanje (SL. 1), zahvaljujoč notranjemu toplotnemu izmenjevalniku, omogočajo ločevanje zgorevalnih plinov od zraka iz okolja. Tako je mogoče, da v prostor, ki ga želite ogrevati, oddajajo čist topel zrak in izpuščajo odpadne dimne pline navzven.

Ti grelniki toplega zraka so bili zasnovani glede na najsodobnejše kriterije varnosti, funkcionalnosti in dolge življenjske dobe. Varnostne naprave vedno zagotavljajo pravilno delovanje grelnika.

►►► 2. INFORMACIJE O VARNOSTI OPOZORILA



POMEMBNO: Grelnik zraka je bil zasnovan za premikanje in začasne profesionalne aplikacije. Ni bil zasnovan za domačo uporabo ali kot pripomoček za ogrevanje ljudi.



POMEMBNO: Te naprave naj ne uporabljajo osebe z zmanjšanimi fizičnimi, senzoričnimi ali umskimi sposobnostmi (vključno z otroki) oziroma s premalo izkušnjami ali znanja, razen če jih pri tem nadzoruje ali usmerja oseba, zadolžena za njihovo varnost. Otroke je treba imeti pod nadzorom, da se z napravo ne bi igrali.



NEVARNOST: Vdihavanje ogljikovega dioksida je lahko smrtno nevarno.

Prvi znaki zastrupitve z ogljikovim monoksidom so podobni znakom gripe, z glavobolom, vrtoglavico in/ali slabostjo. Ti znaki so lahko posledica nepravilnega delovanja kotla. **PRI OMENJENIH ZNAKIH TAKOJ POJDITE NA SVEŽI ZRAK** in se obrnite na servisno osebje zaradi popravila kotla.

►►► 2.1. POLNJENJE:

- 2.1.1. Osebe, zadolžene za polnjenje grelnikov, mora biti kvalificirano in popolnoma obvladati navodila proizvajalca ter veljavne predpise, ki se nanašajo na varno polnjenje grelnikov.
- 2.1.2. Uporabljajte izključno tip goriva, ki je specifičen na identifikacijski tablici grelnika.
- 2.1.3. Preden izvršite polnjenje, ugasnite grelnik in počakajte, da se ohladi.
- 2.1.4. Cisterne za shranjevanje goriva morajo biti postavljene v ločeni strukturi.
- 2.1.5. Vsi rezervoarji za gorivo se morajo nahajati na minimalni varnostni razdalji od grelnika, določeni z veljavnimi pravili.
- 2.1.6. Gorivo je treba shranjevati v prostorih, kjer talna obloga ne dopušča penetracije ali kapljanje goriva na plamene, ki se nahajajo spodaj, saj

lahko pride do vžiga.

- 2.1.7. Shranjevanje mora biti izvršeno glede na veljavne predpise.
- **2.2. VARNOST:**
- 2.2.1. Grelnika nikoli ne uporabljajte v prostorih, kjer je prisoten bencin, topila za lake ali druge pare, ki so zelo vnetljive.
- 2.2.2. Pri uporabi grelnika spoštujte vse lokalne predpise in veljavno zakonodajo.
- 2.2.3. Grelniki, ki se nahajajo blizu ponjav, pregrinjali ali drugih podobnih prekrivnih materialov, morajo biti na varni razdalji od le-teh. Priporočila se uporabijo za ognjevarne materiale.
- 2.2.4. Uporabljajte le v dobro zračenih prostorih. Predvidite odprtine za dovod zunanjega zraka v skladu z veljavnimi predpisi.
- 2.2.5. Grelnik je potrebno priključiti na električno napajalno omrežje s takšnimi specifikami napetosti in frekvence, ki so navedene na identifikacijski tablici.
- 2.2.6. Uporabite podaljške, ki so ustrezno ozemljene.
- 2.2.7. Minimalne priporočene varnostne razdalje med grelnikom in vnetljivimi snovmi so: sprednji izhod = 2,5 m; ob strani, zgoraj in zadaj = 1,5 m.
- 2.2.8. Vroč ali delujoč grelnik je potrebno postaviti na stabilno in ravno podlago, ter se tako izogniti tveganjem požara.
- 2.2.9. Živali morate držati na varni razdalji od grelnika.
- 2.2.10. Ko grelnika ne uporabljate, ga izključite iz omrežja.
- 2.2.11. Ko je grelnik kontroliran preko termostata, se lahko kadarkoli prižge.
- 2.2.12. Grelnika nikoli ne uporabljajte v sobah, kjer pogosto bivate ali v spalnicah.
- 2.2.13. Nikoli ne blokirajte vhoda za zrak in izhoda zraka z grelnika.
- 2.2.14. Ko je grelnik vroč ali priključen na električno omrežje, ali delujoč, ga ne smete nikoli premikati, polniti niti na njem izvrševati nobenega vzdrževalnega posega.
- 2.2.15. Izogibajte se kanaliziranju zraka na vhodu/izhodu razen z originalnim kompletom (kjer je predvideno).
- 2.2.16. Ohranite varno razdaljo med vnetljivimi ali termolabilnimi materiali (vključno z napajalnim kablom) in grelnikom.
- 2.2.17. Če je napajalni kabel poškodovan, ga mora zamenjati servisni center, tako da se izognete vsakemu tveganju.
- 2.2.18. Med delovanjem bodite prepričani, da so protipožarne naprave pripravljene za delovanje.
- 2.2.19. V primeru zamenjave gorilnika, uporabite originalne nadomestne dele, dosledno upoštevajte vse, kar je določeno za zmožljivost,

tip šob in pritisk črpalke. Povečanje moči gorilnika lahko poškoduje grelnik.

▶▶▶ **3. ODSTRANJEVANJE EMBALAŽE**

OPOZORILO: EMBALAŽA NI IGRAČA ZA OTROKE. PLASTIČNO EMBALAŽO SHRANJUJTE IZVEN DOSEGA OTROK; NEVARNOST ZADUŠITVE!

- ▶ 3.1. Odstranite vso embalažo, uporabljeno za pakiranje in prevoz grelnika. Uničite jo skladno z veljavnimi predpisi.
- ▶ 3.2. V primeru, da bi bil grelnik na podstavku, ga počasi pomaknite navzdol, uporabite ustrezne naprave in orodja, skladno z nacionalno zakonodajo in z veljavnimi predpisi. Mogoče ga je dvigniti tudi z viličarjem, in sicer s pomočjo primernih verig in kljuk za dviganje (grelnik je opremljen z očesnimi vijaki).
- ▶ 3.3. Preverite, da se med prevozom ni poškodoval. Če opazite, da je poškodovan, takoj obvestite koncesionarja, kjer ste ga kupili.

▶▶▶ **4. SESTAVLJANJE**

(SL. 2)

Ti grelniki so opremljeni z ročkami, ročaji in podpornimi elementi, odvisno od modela. Te komponente, skupaj z ustreznimi vijaki za namestitev, se nahajajo v embalaži.

▶▶▶ **5. GORIVO**

OPOZORILO: GRELNİK DELUJE LE NA DIZEL ALI KEROZIN.

Uporabite le dizel ali kerozin ter se tako izognite tveganjem za nastanek eksplozije. Nikoli en uporabljajte bencina, nafte, topil za lake, alkohola ali drugih goriv, ki so zelo vnetljivi.

V primeru zelo nizkih temperatur uporabite nestrupena sredstva proti zmrzovanju.

Svetujemo uporabo zimskega goriva pri temperaturah pod 5°C.

▶▶▶ **6. PRINCIPI DELOVANJA**

Črpalka gorilnika sesa gorivo iz rezervoarja in ga pošilja k šobi pod pritiskom, kjer se izvede nebuliranje in mešanje z zrakom za gorenje v gorilni komori. Iskrica zaneti gorenje, medtem ko so izpušni plini izpuščeni preko kamina. Vrsta senzorjev nenehno preverja pravilno delovanje grelnika, in v primeru anomalij ustavi cikel delovanja. Ventilator, ki se nahaja na zadnji strani grelnika, ima nalogo ohladiti gorilno komoro in kroženje plinov, in sicer tako, da njihovo toploto prenese v okolje.

▶▶▶ **7. KONTROLNA PLOŠČA**

(SL. 3)

- A. Elektronski regulator.
- B. Števec ur.
- C. Stikalo za vklop.
- D. Gumb za kontrolo ventilacije.
- E. Signalna lučka za prisotnost napetosti.
- F. Signalna lučka za blokiranje gorilnika.
- G. Signalna lučka za blokiranje ventilacije.
- H. Signalna lučka za previsoko temperaturo.

I. Ponastavitev termostata za previsoko temperaturo.

L. Konektor gorilnika.

M. Varovalka.

N. Konektor za daljinski sobni termostat.

▶▶▶ **8. DELOVANJE**

OPOZORILO: POZORNO PREBERITE "INFORMACIJE O VARNOSTI", PREDEN PRIŽGETE GRELNİK.

▶▶ 8.1. PRIŽIG GRELNİKA:

▶ 8.1.1. Upoštevajte vsa varnostna navodila.

▶ 8.1.2. Povežite cevi za gorivo tako, da upoštevate pravilne povezave za vhode in izhode (SL. 4).

▶ 8.1.3. Preverite, da se v rezervoarju nahaja gorivo.

▶ 8.1.4. Povežite vtičnico z električnim omrežjem (SL. 5) (GLEJTE VREDNOST NAPETOSTI V TABELI "TEHNIČNI PODATKI").

▶ 8.1.5. Prestavite stikalo za vklop v položaj „PLAMEN“ (C SL. 3). Grelnik se mora prižgati v nekaj sekundah. Če se grelnik ne zažene, težavo poiščite v odstavku „IDENTIFIKACIJA TEŽAVE“.

▶ 8.1.6. Grelnik se lahko uporablja tudi v načinu ventilacija, za aktiviranje te funkcije pomaknite stikalo za vklop v položaj „VENTILATOR“ (C SL. 3).

▶ 8.1.7. Grelnik je opremljen z gumbom, ki omogoča kontrolo ventilacije (D SL. 3).

-GUMB AKTIVEN: Ventilacija neprekinjeno deluje (idealno za ekstremne pogoje uporabe).

-GUMB NI AKTIVEN: Ventilacija avtomatsko deluje (običajno delovanje).

▶ 8.1.8. Pri modelih s termostatom okolja pogledajte nastavljeno temperaturo (SL. 6).

OPOMBA: V PRIMERU, DA GRELNİK UGASNE ZARADI POMANJKANJE GORIVA, DOLIJTE GORIVO V REZERVOAR IN PONAŠTAVITE GRELNİK (GLEJ ODST. „PONAŠTAVITEV GRELNİKA“).

POMEMBNO: PRI POSREDNIH MODELIH SO LAHKO PRODUKTI IZGOREVANJA KANALIZIRANI NAVZVEN. IZVRŠITE KANALIZIRANJE GLEDE NA VELJAVNO ZAKONODAJO IN UPOŠTEVAJTE INDIKACIJE, KI SE NAHAJAJO V USTREZNI SEKCIJI PRIROČNIKA.

▶▶ 8.2. UGAŠANJE GRELNİKA:

Prestavite stikalo za vklop v položaj "0" (C SL. 3). Plamen ugasne, ventilator pa nadaljuje z delovanjem do popolne ohladitve zgorevalne komore. Ne prekinite povezave z vtičnico, dokler se cikel ohlajanja ne zaključi.

▶▶▶ **9. PONAŠTAVITEV GRELNİKA**

V primeru, da pride do anomalije v običajnem delovanju, se grelnik izklopi.

Preden ponovno zaženete grelnik, morate identificirati in odpraviti vzrok, ki je izdelek blokiral (na primer ovira pri vhodu za zrak in/ali dovod zraka, ustavitev ventilatorja, pomanjkanje goriva, itd.). V primeru, da ne morete odpraviti blokiranja izdelka, kontaktirate servisni center.

Da bi grelnik ponastavili, svetujemo, da upoštevate naslednji postopek (upoštevajte vsa varnostna navodila):

- ▶ **PONASTAVITEV TERMOSTATA ZA PREVISOKO TEMPERATURO** [Signalna lučka prižgana (H SL. 3)]: Grelnik je dosegel maksimalno temperaturo delovanja. Da bi grelnik ponastavili in odpravili vzrok, ki je povzročil blokado (po potrebi se obrnite na servisni center), odstranite pokrov (SL. 7), odvijte pokrovček In do konca pritisnite gumb (I, SL. 3). Nato ponovno privijte pokrovček in ponastavite pokrov (SL. 8).
- ▶ **PONASTAVITEV GORILNIKA** [Signalna lučka prižgana (F SL. 3) (SL. 9)]: Pri delovanju gorilnika je prišlo do anomalije. Da bi gorilnik ponastavili in odpravili vzrok, ki je povzročil blokado (po potrebi se obrnite na servisni center), odstranite pokrov (SL. 7) in za nekaj sekund do konca pritisnite gumb (SL. 10). Nato ponastavite pokrov (SL. 8).
- ▶ **PONASTAVITEV MOTORJA VENTILACIJE** [Signalna lučka prižgana (G SL. 3)]: Motor ventilacije je blokiran ali pa ne deluje pravilno. Da bi grelnik ponastavili, prestavite stikalo za vklop v položaj "0" (C SL. 3), odpravite vzrok, ki je povzročil blokado (po potrebi se obrnite na servisni center), in ponastavite grelnik.

▶▶▶ **10. KONFIGURACIJA ELEKTRONSKEGA REGULATORJA**

POMEMBNO: ELEKTRONSKI REGULATOR (ŽE NASTAVLJEN S STRANI PROIZVAJALCA), ČE NI PONOVO NASTAVLJEN, NE OGROZI PRAVILNEGA DELOVANJA GRELNIKA.

Elektronski regulator (A SL. 3) nadzoruje vžiganje in ugašanje ventilacije v fazi predhodnega ogrevanja in post-ventilacije grelnika.

Odvisno od temperature okolja (zelo hladno ali zelo vroče, **GLEJTE TAB. „KONFIGURACIJA ELEKTRONSKEGA REGULATORJA**), bo morda treba spremeniti referenčni parameter.

Postopek konfiguracije:

- ▶ 10.1. Prepričajte se, da je stikalo za vklop v položaju „0“ in je napajalni vtič povezan z električnim omrežjem.
- ▶ 10.2. Izvršite naslednjo sekvenco tipk:
 - Ritisnite tipko „SET“.
 - Vizualizirajte „SP2“ s pomočjo tipk “▼” / “▲”.
 - Pritisnite tipko „SET“ za vstop.
 - S tipkama “▼” / “▲” nastavite želeno temperaturo.
 - Pritisnite tipko „SET“ za potrditev.

POMEMBNO: ELEKTRONSKI REGULATOR NIMA FUNKCIJE TERMOSTATA ZA OKOLJE.

▶▶▶ **11. ČIŠČENJE FILTROV**

▶▶▶ 11.1. **SESALNI FILTER, ODVISNO OD MODELA:**
(SL. 11)

Morda bo potrebno čiščenje filtrov, odvisno je od kakovosti uporabljenega goriva.

- ▶ 11.1.1. Odstranite kozarec (A).

- ▶ 11.1.2. Izvlecite filter (B) iz kozarca, bodite pozorni, da tesnila skrbno shranite.
- ▶ 11.1.3. Očistite filter (B) s čistim gorivom, bodite previdni, da ga ne poškodujete.
- ▶ 11.1.4. Ponovno namestite filter (B) na kozarec.
- ▶ 11.1.5. Ponovno namestite kozarec (A), bodite previdni, da skrbno namestite tesnila.

▶▶▶ 11.2. **FILTER ČRPALKE ZA GORIVO:**
Poglejte preventivni program za vzdrževanje.

▶▶▶ **12. SHRANJEVANJE IN PREVOZ**

OPOZORILO: PREDEN ZAČNETE S KATERIM KOLI PREMİKOM, JE TREBA USTAVITI GRELNİK (GLEJTE ODS. „UGAŠANJE GRELNİKA“), IZKLOPITE ELEKTRIČNO NAPAЈANJE, IZVLECITE VTIČ IZ ELEKTRIČNE VTIČNICE (SL. 12) IN POČAKAJTE, DA SE GRELNİK POPOLNOMA OHLADI. KO GRELNİK PREMİKATE, GA JE TREBA DRŽATI V RAVNI POZICIJI.

Da bi grelnik kar najbolje shranili, svetujemo, da upoštevate naslednji postopek (upoštevajte vsa varnostna navodila):

- ▶ 12.1. Mogoče ga je dvigniti tudi z viličarjem, in sicer s pomočjo primernih verig in kljuk za dviganje (grelnik je opremljen z očesnimi vijaki).
- ▶ 12.2. Z namenom boljšega shranjevanja grelnika, svetujemo, da ga pospravite na suho mesto in zaščitite pred morebitnimi poškodbami.

▶▶▶ **13. POVEZAVA S TERMOSTATOM**

Pri modelih, ki imajo predispozicijo za povezavo s sobnim termostatom, odstranite pokrovček, povezan z grelnikom in povežite termostat (opcijsko) (SL. 13-14).

▶▶▶ **14. NAVODILA ZA KANALIZIRANJE**

(SL. 15).

POMEMBNO: IZOGIBAJTE SE KANALIZIRANJU ZRAKA NA VHODU/IZHODU, RAZEN Z ORIGINALNIM KOMPLETOM (KJER JE PREDVIDENO).

Z namenom preprečevanja težav pri delovanju grelnika ali poškodb oseb je treba biti zelo previden pri dispoziciji cevi za kanaliziranje zraka. Da bi zmanjšali upor pri pretoku zraka, svetujemo, da cevi za kanaliziranje pozicionirate tako, da zmanjšate število kolen in preprečite zavoje z ostrimi koti. Na prvih metrih ne sme biti zavojev.

OPOZORILO: PREDEN IZVRŠITE KATERIKOLI VZDRŽEVALNI POSEG ALI POPRAVILO, IZKLUČITE NAPAJALNI KABEL IZ ELEKTRIČNEGA OMREŽJA IN SE PREPRIČAJTE, DA JE GRELNIK HLADEN.

►►► 15. PREVENTIVNI PROGRAM VZDRŽEVANJA

KOMPONENTA	FREKVENCA VZDRŽEVANJA	POSTOPEK VZDRŽEVANJA
Filtri	Očistite ali zamenjajte enkrat lento ali po potrebi (preverite celovitost)	Čiščenje filtrov (GLEJTE ODST. „ČIŠČENJE FILTROV“)
Filter črpalke za gorivo	Očistite ali zamenjajte enkrat lento ali po potrebi (preverite celovitost)	Obrnite se na servisni center
Elektrode	Očistite po potrebi	Obrnite se na servisni center
Ventilator	Očistite po potrebi	Obrnite se na servisni center
Zgorevalna komora	Očistite po potrebi	Obrnite se na servisni center

►►► 16. IDENTIFIKACIJA TEŽAVE

TEŽAVA	MOŽEN VZROK	MOŽNA REŠITEV
Grelnik se ne zažene ali ne ostane prižgan	<ol style="list-style-type: none"> 1. Stikalo za vklopje v položaju "0" 2. Ni napajanja 3. Ovira na napajalnem kablu 4. Elektronika je blokirana ali okvarjena 5. Napačna nastavitvev termostata (kjer je prisoten) 6. Pomanjkanje goriva 7. Prisotnost tujih snovi v sistemu za gorivo 8. Temperatura, nastavljena na digitalnem termostatu, je previsoka 9. Elektronika je blokirana 	<ol style="list-style-type: none"> 1. Prestavite stikalo za vklop v položaj „PLAMEN“ (C SL. 3) 2a. Napajalni kabel pravilno vstavite v vtičnico električnega omrežja (SL. 5) 2b. Preverite pravilno napetost vašega omrežja 3. Obrnite se na servisni center 4a. Ponastavite grelnik (GLEJTE ODST. PONAŠTAVITEV GRELNIKA“) 4b. Obrnite se na servisni center 5. Omogočite termostat, nastavite višjo temperaturo, kot je v delovnem okolju (SL. 6) 6. Dolijte gorivo in po potrebi ponastavite grelnik (GLEJTE ODST. „PONAŠTAVITEV GRELNIKA“) 7a. Izpraznite in napolnite s čistim gorivom 7b. Čiščenje filtrov (GLEJTE ODST. „ČIŠČENJE FILTROV“) 7c. Obrnite se na servisni center 8. Znižajte nastavljeno temperaturo digitalnega termostata (GLEJTE ODST. „KONFIGURACIJA ELEKTRONSKEGA REGULATORJA“) 9. Ponastavite elektroniko (GLEJTE ODST. „PONAŠTAVITEV GRELNIKA“)
Grelnik med delovanjem proizvaja dim	<ol style="list-style-type: none"> 1. Prisotnost tujih snovi v sistemu za gorivo 2. Ovira na vhodu zraka 	<ol style="list-style-type: none"> 1a. Izpraznite in napolnite s čistim gorivom 1b. Čiščenje filtrov (GLEJTE ODST. „ČIŠČENJE FILTROV“) 1c. Obrnite se na servisni center 2. Odstranite morebitne ovire z dovoda za zrak
Grelnik se ne ugasne	<ol style="list-style-type: none"> 1. Temperatura, nastavljena na digitalnem termostatu, je prenizka 2. Elektronika okvarjena 	<ol style="list-style-type: none"> 1. Povišajte nastavljeno temperaturo digitalnega termostata (GLEJTE ODST. „KONFIGURACIJA ELEKTRONSKEGA REGULATORJA“) 2. Obrnite se na servisni center

ÖNEMLİ: BU KILAVUZU, ISITICININ BİRLEŞTİRİLMESİ, ÇALIŞTIRILMASI VEYA BAKIMINI GERÇEKLEŞTİRMEYEN ÖNCE OKUYUN VE ANLAYIN. ISITICININ HATALI KULLANIMI AĞIR VE ÖLÜMCÜL YARALANMALARA NEDEN OLABİLİR. BU KILAVUZU İLERİDE DANIŞMAK İÇİN MUHAFAZA EDİN.

►►► 1. AÇIKLAMA

Bu sıcak hava ısıtıcıları serisi, özellikle orta ve büyük boyutlara sahip alanlar veya lokallerin ısıtılmasında kullanılır.

Dolaylı ısıtmalı ısıtıcılar (ŞEK. 1) bir dahili ısı eşanjörü sayesinde yanma gazını ortama verilen sıcak havadan ayırmayı sağlarlar. Bu şekilde, ısıtılacak alanda daima temiz sıcak hava akımı bulunması ve tahliye dumanlarının dışarı yönlendirilmesi mümkündür.

Bu sıcak hava ısıtıcıları en modern emniyet, işlevsellik ve kullanım ömrü kriterlerine göre tasarlanmıştır. Emniyet cihazları, ısıtıcının doğru işleyişini daima garantilerler.

►►► 2. GÜVENLİK HAKKINDA BİLGİLER UYARILAR

! ÖNEMLİ: Bu hava ısıtıcısı mobil ve geçici profesyonel uygulamalar için tasarlanmıştır. Evsel kullanım ve insanın termal rahatlığı için tasarlanmamıştır.

! ÖNEMLİ: Bu, fiziksel, duyuşsal ve zihinsel engelleri olan kişiler (çocuklar dahil) veya güvenlikleri için sorumlu bir kişi tarafından denetim altında olmadıkları sürece uzman olmayan kişiler tarafından kullanıma uygun değildir. Küçük çocuklar cihazla oynamadıklarından emin olmak için kontrol edilmelidir.

! TEHLİKE: Karbonmonoksit solumak ölümcül olabilir.

Karbonmonoksit zehirlenmesinin ilk belirtileri baş ağrısı, baş dönmesi ve/ya mide bulantısı ile gribe benzer. Bu belirtiler ısıtıcının kusurlu işleyişinden kaynaklanmış olabilir. **BU BELİRTİLERİN GÖRÜLMESİ HALİNDE DERHAL AÇIK ALANA ÇIKIN** ve ısıtıcıyı teknik servis merkezi tamir ettirin.

►►► 2.1. YAKIT İKMALİ:

- 2.1.1. Yakıt ikmalinden sorumlu personel, uzman olmalı ve üreticinin talimatları ve ısıtıcıların güvenli dolunu hakkındaki geçerli talimatlar ile tam bilgiye sahip olmalıdır.
- 2.1.2. Yalnızca ısıtıcının tanıtıcı plakasında açıkça belirtilen yakıt tipini kullanın.
- 2.1.3. Yakıt ikmalinden önce ısıtıcıyı kapatın ve soğumasını bekleyin.
- 2.1.4. Yakıt depolama tankları ayrı bir binada bulunmalıdır.
- 2.1.5. Tüm yakıt depoları, yürürlükteki düzenlemeler doğrultusunda, ısıtıcıdan asgari güvenlik mesafesinde bulunmalıdır.
- 2.1.6. Yakıt, ateşlemeye sebep olabileceğinden altındaki alevler üzerine damlama ve sızıntı

yapmayacak bir zemine sahip lokallerde saklanır.

- 2.1.7. Yakıt muhafazası yürürlükteki düzenlemelere uyumlulukla yapılmalıdır.
- 2.2. GÜVENLİK:
- 2.2.1. Isıtıcıları asla benzin, vernik için çözücüler veya yüksek tutuşma özellikli diğer buharların olduğu yerlerde asla kullanmayın.
- 2.2.2. Isıtıcının kullanımı sırasında tüm yerel emirler ve geçerli düzenlemelere uyun.
- 2.2.3. Perde, örtü veya diğer kaplama benzeri materyallerin yakınında kullanılan ısıtıcılar, bunlar ile arasında güvenlik mesafesi bırakılarak yerleştirilmelidir. Yanmaz türde örtü materyali kullanılması da tavsiye edilir.
- 2.2.4. Yalnız iyi havalandırılmış alanlarda kullanın. Dışarıdan temiz hava alabilmek amacıyla geçerli düzenlemeler doğrultusunda uygun bir aralık hazırlayın.
- 2.2.5. Isıtıcıyı yalnızca, tanıtıcı plaka üzerinde belirtilen gerilim ve frekansa sahip akım ile besleyin.
- 2.2.6. Yalnız toprak bağlantısı olan uzatmalar kullanın.
- 2.2.7. Isıtıcı ve yanıcı maddeler arasında tavsiye edilen asgari güvenlik mesafeleri: ön çıkış = 2,5 m; yanda, yukarıda ve arkada = 1,5 m.
- 2.2.8. Sıcak veya çalışan ısıtıcıyı, yangın risklerini önlemek için dengeli ve düz bir zemine yerleştirin.
- 2.2.9. Hayvanları ısıtıcıdan güvenlik mesafesinde tutun.
- 2.2.10. Kullanılmadığı zaman, ısıtıcıyı şebeke prizinden ayırın.
- 2.2.11. Isıtıcı, bir termostat tarafından kontrol edildiğinde herhangi bir anda çalışabilir.
- 2.2.12. Isıtıcıyı sıklıkla ikamet edilen odalar veya yatak odalarında asla kullanmayın.
- 2.2.13. Isıtıcının hava girişi ve hava çıkışını asla kapatmayın.
- 2.2.14. Isıtıcı sıcakken veya elektrik şebekesine bağlıken ya da çalışır haldeyken asla yeri değiştirilmemeli, kurcalanmamalı veya hiçbir bakım operasyonuna tabii tutulmamalıdır.
- 2.2.15. Orijinal olmayan kitle (öngörülmüşse) ile hava girişi ve/ya çıkışını kanalize etmeyin.
- 2.2.16. Yanıcı veya sıcaktan etkilenen (elektrik kablosu dahil) kısımları ısıtıcının sıcak kısımlarından uygun bir mesafede tutun.
- 2.2.17. Eğer elektrik kablosu hasar görmüşse, her türlü riskin önüne geçilmesi için teknik servis merkezi tarafından değiştirilmelidir.
- 2.2.18. İşleyiş sırasında yangın söndürme aygıtlarının kullanıma hazır olduklarından emin olun.

► 2.2.19. Brülörün değiştirilmesi halinde, orijinal yedek parçalar kullanın, yalnız kapasiteye, meme tipine ve pompa basıncı için uygun görülenlere riayet edin. Brülörün gücünün yükseltilmesi ısıtıcıya zarar verebilir.

►►► 3. AMBALAJ AÇMA

UYARI: AMBALAJ MALZEMESİ ÇOCUKLAR İÇİN BİR OYUNCAK DEĞİLDİR. PLASTİK TORBAYI ÇOCUKLARIN ULAŞABİLECEĞİ YERLERDEN UZAK TUTUN; BOĞULMA TEHLİKESİ!

- 3.1. Isıtıcının paketlenmesi ve kargo ile yollanması için kullanılmış tüm ambalaj malzemelerini kaldırın. Geçerli düzenlemelere göre bunları imha edin.
- 3.2. Isıtıcının platform üzerine yerleştirilmiş olması halinde, bunu ulusal düzenlemeler ve yürürlükteki mevzuatlara uygun biçimde cihazlar ve uygun aletler kullanarak nazikçe indirin. Bunun uygun zincirler ve kancalar (ısıtıcı mapalar ile donatılmıştır) kullanılarak bir yükseltici araç ile kaldırılması mümkündür.
- 3.3. Taşıma sırasında oluşabilecek olası hasarları kontrol edin. Eğer ısıtıcı hasarlı görünüyorsa, derhal satın alındığı acentayı bilgilendirin.

►►► 4. AMBALAJLAMA

(ŞEK. 2)

Bu ısıtıcılar modele göre kulplar, kenetler, destekler, vs. ile donatılmıştır. Bu aksamlar, ilgili montaj somunlar ve civatalar ile tamamlanmıştır ve bunlar ısıtıcı ambalajına konulmuştur.

►►► 5. YAKIT

UYARI: ISITICI YALNIZ DİZEL VEYA KEROLEN İLE ÇALIŞIR.

Yangın ve patlama risklerini önlemek için yalnızca dizel veya gaz yağı kullanın. Asla benzin, petrol, vernikler için çözücüler, alkol veya diğer yüksek yanıcılık özelliğine sahip yakıtları kullanmayın.

Çok düşük ısılarda zehirli olmayan antifriz katkıları kullanın.

Kışlık mazotun 5°C'nin altında kullanılması tavsiye edilir.

►►► 6. İŞLEYİŞ PRENSİPLERİ

Brülör pompası, depodan yakıtı aspire eder ve bunu basınçlı uca göndererek buharlaştırarak yanma odasında yakıt havasına karıştırır. Bir kıvılcım yanmayı tetiklerken ısıkarta dumanlar bacadan dışarı itilir. Bir dizi sensör, düzenli olarak ısıtıcının doğru işleyişini kontrol eder ve anormallik durumunda devri kapatır. Isıtıcının arka kısmına yerleştirilmiş vantilatörün amacı yanma odası ve duman gazını soğutarak bunlardan aldığı ısıyı odaya transfer etmektir.

►►► 7. KONTROL PANELİ

(ŞEK. 3)

- A. Elektronik regülatör.
- B. Sayaç.
- C. Açma düğmesi.
- D. Havalandırma kontrolü için düğme.
- E. Elektrik gerilim mevcudiyet ikaz lambası.
- F. Brülör bloke alarm ikaz lambası.
- G. Havalandırma bloke alarm ikaz lambası.
- H. Aşırı ısınma alarm ikaz lambası.
- I. Aşırı ısınma termostat resetleme.
- L. Brülör konnektörü.
- M. Sigorta.
- N. Uzak oda termostat konnektörü.

►►► 8. İŞLEYİŞ

UYARI: ISITICIYI ÇALIŞTIRMADAN ÖNCE "GÜVENLİK ÜZERİNE BİLGİLER" BÖLÜMÜNÜ DİKKATLE OKUYUN.

►►► 8.1. ISITICININ ÇALIŞTIRILMASI:

- 8.1.1. Güvenliğe ilişkin tüm talimatları izleyin.
- 8.1.2. Yakıt borularını doğru giriş ve çıkış bağlantılarına uyarak bağlayın (ŞEK. 4).
- 8.1.3. Depoda yakıt mevcudiyetini kontrol edin.
- 8.1.4. Elektrik fişini hat prizine takın (ŞEK. 5) (GERİLİM İÇİN "TEKNİK VERİLER TABLOSUNA" BAKINIZ).
- 8.1.5. Açma düğmesini "ALEV" konumuna getirin (C ŞEK. 3). Isıtıcı birkaç saniye içinde çalışacaktır. Eğer ısıtıcı çalışmıyorsa "SORUN BELİRLEME" paragrafına danışın.
- 8.1.6. Isıtıcı fan modunda kullanılabilir, bu fonksiyonu etkinleştirmek için açma düğmesini "FAN" konumuna getirin (C ŞEK. 3).
- 8.1.7. Isıtıcı havalandırmayı kontrol edebilmek için bir düğmeye sahiptir (D ŞEK. 3).
 - AKTİF DÜĞME: Havalandırma kesintisiz çalışır (aşırı kullanım koşulları için idealdir).
 - DEVRE DIŞI BIRAKILMIŞ DÜĞME: Havalandırma otomatikte çalışır (normal işleyiş).
- 8.1.8. Oda termostatlı modeller için ayarlanmış ısıyı kontrol edin (ŞEK. 6).

NOT: YAKIT TÜKENMESİNE BAĞLI ISITICI KAPANIŞI DURUMUNDA DEPOYU DOLDURUN VE ISITICIYI RESETLEYİN (BAKIN PARAG. "ISITICININ RESETLENMESİ").

ÖNEMLİ: DOLAYLI MODELLERDE YAKIT ÜRÜNLERİ DIŞARIYA KANALİZE EDİLEBİLİR. KANALİZASYONU GEÇERLİ DÜZENLEMELERE GÖRE YAPIN VE İŞBU KILAVUZUN İLGİLİ BÖLÜMÜNDE YAZAN TALİMATLARA UYUN.

►►► 8.2. ISITICININ KAPATILMASI:

Açma düğmesini "0" konumuna getirin (C ŞEK. 3). Alev söner ve fan yanma odası tamamen soğutulana kadar çalışmaya devam eder. Soğutma devri tamamlanıncaya kadar prizden çıkarmayın.

►►► 9. ISITICININ RESETLLENMESİ

Normal işleyişte bir anormallik görülmesi durumunda ısıtıcı kapanır.

Isıtıcıyı tekrar çalıştırmak için, bloğu yaratan sebep bulunmalı ve ortadan kaldırılmalıdır (örneğin, girişte hava prizi ve/ya hava tahliyesi tıkanıklığı, fan durması, yakıt eksikliği, vs.). Bloğu yaratan problemin giderilememesi halinde, teknik servis merkezinin müdahalesini isteyin.

Isıtıcıyı resetlemek için, aşağıdaki prosedürü takip etmeniz tavsiye edilir (güvenliğe ait tüm talimatları izleyin):

- AŞIRI ISINMA TERMOSTAT RESETİ [İkaz lambası açık (H ŞEK. 3)]: Isıtıcı maksimum işleyiş sıcaklığına ulaştı. Isıtıcıyı resetlemek için bloğa neden olan sebebi giderin (gerekirse teknik servise danışın), kaplamayı kaldırın (ŞEK. 7), kapağı gevşetin ve düğmeye sonuna kadar basın (I ŞEK. 3). Ardından kapağı sıkın ve kaplamayı yerine takın (ŞEK. 8).
- BRÜLÖR RESETİ [İkaz lambası yanıyor (F ŞEK. 3) (ŞEK. 9)]: Brülör işleyişte bir anormallik sergiledi. Brülörü resetlemek için bloğa neden olan sebebi giderin (gerekirse teknik servise danışın), kaplamayı kaldırın (ŞEK. 7) ve bir kaç saniye düğmeye sonuna kadar basın (ŞEK. 10). Ardından kaplamayı yerine takın (ŞEK. 8).
- HAVALANDIRMA MOTORU RESETİ [İkaz lambası yanıyor (G ŞEK. 3)]: Havalandırma motoru bloke oldu veya anormal biçimde çalışıyor. Isıtıcıyı resetlemek için açma düğmesini "0" konumuna getirin (C ŞEK. 3), bloğa neden olan sebebi giderin (gerekirse teknik servise danışın), ve ısıtıcıyı yeniden çalıştırın.

►►► 10. ELEKTRONİK REGÜLATÖR KONFIGÜRASYONU

ÖNEMLİ: ELEKTRONİK REGÜLATÖR (ÜRETİCİ TARAFINDAN ÖNCEDEN AYARLANMIŞTIR), EĞER ÖN AYARI YAPILMAZ İSE, ISITICININ DOĞRU İŞLEYİŞİNE ENGEL OLMAZ.

Elektronik regülatör (A ŞEK. 3), ön ısıtma ve ısıtıcının son havalandırması aşamasında havalandırma açma ve kapamayı kontrol eder. Oda ısısına göre (çok sıcak ya da çok soğuk iklim, BAKINIZ TAB. "ELEKTRONİK REGÜLATÖR KONFIGÜRASYONU"), referans parametrenin değiştirilmesi gerekebilir.

Konfigürasyon prosedürü:

- 10.1. Açma düğmesinin "0" konumunda olduğundan ve güç kaynağı fişinin elektrik şebekesine bağlı olduğundan emin olun.
- 10.2. Şu tuşlar serisini uygulayın:
 - "SET" tuşuna basın.
 - "▼" / "▲" Tuşları ile ilerleyerek "SP2" görüntüleyin.
 - Girmek için "SET" tuşuna basın.
 - "▼" / "▲" Tuşları ile arzu edilen sıcaklığı ayarlayın.
 - Onaylamak için "SET" tuşuna basın.

ÖNEMLİ: ELEKTRONİK REGÜLATÖR ODA TERMOSTAT İŞLEVİNE SAHİP DEĞİLDİR.

►►► 11. FİLTRELERİN TEMİZLENMESİ

►► 11.1. MODELE GÖRE ASPİRASYON FİLTRESİ: (ŞEK. 11)

Kullanılan yakıtın kalitesine göre filtrelerin temizliği gerekebilir:

- 11.1.1. Kabı (A) çıkartın.
- 11.1.2. Contaları özenle muhafaza etmeye dikkat ederek kaptan filtreyi (B) çıkartın.
- 11.1.3. Zarar vermemeye dikkat ederek temiz yakıtlı filtreyi (B) temizleyin.
- 11.1.4. Kaba filtreyi (B) yeniden monte edin.
- 11.1.5. Contaları doğru şekilde yeniden monte etmeye dikkat ederek kabı (A) yeniden monte edin.

►► 11.2. YAKIT POMPA FİLTRESİ:

Önlemsel bakım programına bakınız.

►►► 12. SAKLAMA VE NAKLİYE

UYARI: HER TÜRLÜ TAŞIMA ÖNCESİ ISITICI KAPATILMALIDIR (BAKIN PARAG. "ISITICININ KAPATILMASI"), ELEKTRİK GÜÇ KAYNAĞINI, ELEKTRİK PRİZİNDEN FİŞİ ÇEKEREK KESİN (ŞEK. 12) VE ISITICININ TAMAMEN SOĞUMASINI BEKLEYİN. ISITICI HAREKET ETTİRİLDİĞİNDE ONU DÜZ POZİSYONDA TUTUN.

Isıtıcıyı en iyi şekilde saklamak için, aşağıdaki prosedürü takip etmeniz tavsiye edilir (güvenliğe ait tüm talimatları izleyin):

- 12.1. Bunun uygun zincirler ve kancalar (ısıtıcı mapalar ile donatılmıştır) kullanılarak bir yükseltici araç ile kaldırılması mümkündür.
- 12.2. Isıtıcıyı daha iyi saklamak için kuru ve olası hasarlardan korunan bir yere koymak tavsiye edilir.

►►► 13. ODA TERMOSTATI BAĞLANTISI

Oda termostat bağlantısı hazırlıklı modellerde, ısıtıcıya bağlı kapağı kaldırın ve oda termostatını (opsiyonel) bağlayın (ŞEK. 13-14).

►►► 14. KANALİZASYON İÇİN TAVSİYELER

(ŞEK. 15)

ÖNEMLİ: ORJİNAL OLMAYAN KİTLER (ÖNGÖRÜLMÜŞSE) İLE HAVA GİRİŞİ VE/YA ÇIKIŞINI KANALİZE ETMEYİN.

Isıtıcının işleyiş problemleri veya kişilere zarar gelmesini önlemek için hava kanalizasyon borularının yerlerine dikkat etmek gerekir. Hava akışı dirençlerini azaltmak için kanalizasyon borularını dirsek sayısı azaltılarak ve keskin köşeli kıvrımlar önlenerek yerleştirmek tavsiye edilir. İlk metrelerde dirsekler olmamalıdır.

UYARI: HERHANGİ BİR BAKIM VEYA TAMİR YAPMADAN ÖNCE ELEKTRİK KABLOSUNU ELEKTRİK ŞEBEKESİNDEN ÇIKARIN VE ISITICININ SOĞUDUĞUNDAN EMİN OLUN.

►►► 15. ÖNLEYİCİ BAKIM PROGRAMI

AKSAM	BAKIM SIKLIĞI	BAKIM PROSEDÜRÜ
Filtreler	Senede bir kez veya ihtiyaca göre temizleyin veya değiştirin (sağlamlığını kontrol edin)	Filtreleri temizleyin (BAKINIZ PARAG. "FİLTRE TEMİZLİĞİ")
Yakıt pompa filtresi	Senede bir kez veya ihtiyaca göre temizleyin veya değiştirin (sağlamlığını kontrol edin)	Teknik servis merkezine başvurun
Elektrotlar	İhtiyaca göre temizleyin	Teknik servis merkezine başvurun
Fan	İhtiyaca göre temizleyin	Teknik servis merkezine başvurun
Yanma odası	İhtiyaca göre temizleyin	Teknik servis merkezine başvurun

►►► 16. PROBLEMİN SAPTANMASI

PROBLEM	OLASI NEDEN	OLASI ÇÖZÜM
Isıtıcı çalışmıyor veya çalışır kalmıyor	1. Açma düğmesi "0" konumunda 2. Güç beslemesi yok 3. Elektrik kablosu çıkmış 4. Resetlenecek ya da kusurlu elektronik 5. Oda termostatının hatalı ayarı (mevcut ise) 6. Yakıt yok 7. Yanma devresinde yabancı maddelerin mevcudiyeti 8. Dijital termostat üzerinde ayarlanan sıcaklık çok yüksek 9. Elektronik bloke oldu	1. Açma düğmesini "ALEV" konumuna getirin (C ŞEK. 3) 2a. Elektrik kablosunu elektrik şebekesine doğru şekilde bağlayın (ŞEK. 5) 2b. Doğru tesisat voltajını kontrol edin 3. Teknik servis merkezine başvurun 4a. Isıtıcıyı resetleyin (BAKIN PARAG."ISITICI RESETEME") 4b. Teknik servis merkezine başvurun 5. Oda termostatının sıcaklığını çalışma ortamı sıcaklığından daha yüksek bir sıcaklığa getirin (ŞEK. 6) 6. Yakıt doldurun ve gerekirse ısıtıcıyı resetleyin (BAKIN PARAG. "ISITICININ RESELENMESİ") 7a. Depoyu boşaltın ve temiz yakıt ile çalkalayın 7b. Filtreleri temizleyin (BAKIN PARAG. "FİLTRE TEMİZLİĞİ") 7c. Teknik servise başvurun 8. Dijital termostat ısı ayarını düşürün (BAKIN PARAG. "ELEKTRONİK REGÜLATÖR KONFIGÜRASYONU") 9. Elektroniği resetleyin (BAKIN PARAG. "ISITICININ RESELENMESİ")
Isıtıcı işleyişi sırasında duman üretiyor	1. Yanma devresinde yabancı maddelerin mevcudiyeti 2. Hava prizi girişi tıkanıklığı	1a. Depoyu boşaltın ve temiz yakıt ile doldurun 1b. Filtreleri temizleyin (BAKIN PARAG. "FİLTRE TEMİZLİĞİ") 1c. Teknik servise başvurun 2. Hava prizinden tüm olası tıkanıklıkları temizleyin
Isıtıcı kapanmıyor	1. Dijital termostat üzerinde ayarlanan sıcaklık çok düşük 2. Elektronik kusurlu	1. Dijital termostat ısı ayarını yükseltin (BAKIN PARAG. "ELEKTRONİK REGÜLATÖR KONFIGÜRASYONU") 2. Teknik servise başvurun


VAŽNO: PROČITATI I RAZUMJETI OVAJ RADNI PRIRUČNIK PRIJE SASTAVLJANJA, PUŠTANJA U RAD ILI ODRŽAVANJE OVOG GRIJAČA. POGREŠNA UPORABA GRIJAČA MOŽE DOVESTI DO TEŠKIH ILI SMRTONOSNIH OZLJEDA. ČUVATI OVAJ PRIRUČNIK ZA BUDUĆE KONZULTACIJE.


▶▶▶ 1. OPIS


Ova serija grijača toplog zraka je osobito prikladna za grijanje prostorija ili prostora srednjih ili većih dimenzija. Grijači s indirektnim grijanjem (SL. 1) zahvaljujući unutarnjem izmjenjivaču topline omogućuje se odvajanje plinova nastalih izgaranjem od toplog zraka u prostoru. Na taj se način može stvoriti topli, čisti zrak u prostoriji koja se zagrijava te izvesti vani produkti izgaranja.

Ovi grijači toplog zraka su dizajnirani u skladu s najmodernijim sigurnosnim standardima te onim funkcionalnosti i trajnosti. Sigurnosni uređaji uvijek jamče pravilan rad grijača.

▶▶▶ 2. INFORMACIJE O SIGURNOSTI UPOZORENJA

 **VAŽNO:** Ovaj grijač zraka je izrađen za pokretne i privremene profesionalne uporabe. Nije izrađen za uporabu u kućanstvu niti za toplinsku udobnost ljudi.

 **VAŽNO:** Ovaj aparat nije namijenjen korištenju od strane osoba (uključujući i djecu) koje imaju smanjene tjelesne, osjetilne i mentalne sposobnosti osim u slučaju da ih nadzire osoba odgovorna za njihovu sigurnost. Morate kontrolirati djecu kako se ne bi igrala s aparatom.

 **OPASNOST:** Gušenje ugljičnim monoksidom može biti smrtonosno.

Prvi simptomi gušenja ugljičnim monoksidom slični su simptomima gripe, s pojavom glavobolje, vrtoglavice i/ili mučnine. Takve simptome može uzrokovati nepravilan rad grijača. U **SLUČAJU POJAVE OVIH SIMPTOMA, ODMAH IZADITE NA OTVORENI PROSTOR** i popravite grijač u servisnoj službi.

▶▶▶ 2.1. OPSKRBA:

- ▶▶ 2.1.1. Osoblje zaduženo za opskrbu mora biti kvalificirano i u potpunosti upoznato s uputama proizvođača kao i propisima na snazi u odnosu na pravilno napajanje grijača.
- ▶▶ 2.1.2. Koristiti isključivo vrstu goriva koja se jasno navodi na identifikacijskoj pločici grijača.
- ▶▶ 2.1.3. Prije točenja, isključiti grijač i pričekati da se ohladi.
- ▶▶ 2.1.4. Cisterne za skladištenje goriva se moraju nalaziti u zasebnom objektu.
- ▶▶ 2.1.5. Svi se spremnici s gorivom moraju nalaziti na minimalnoj sigurnosnoj udaljenosti u odnosu na grijač, u skladu s važećim propisima.
- ▶▶ 2.1.6. Gorivo se mora čuvati u prostorijama čiji pod ne dopušta prodiranje ili kapanje istog na

plamen ispod podloge, čime bi moglo doći do zapaljenja.

- ▶▶ 2.1.7. Čuvanje goriva se mora obaviti u skladu s propisima na snazi.
- ▶▶▶ 2.2. SIGURNOST:
 - ▶▶ 2.2.1. Nemojte nikada koristiti grijač u prostorijama u kojima ima benzina, otapala za lakove ili druge visoko zapaljive pare.
 - ▶▶ 2.2.2. Tijekom uporabe grijača, pridržavati se svih važećih lokalnih i državnih propisa.
 - ▶▶ 2.2.3. Grijači koji se koriste u blizini cerada, zavjesa ili drugih sličnih materijala za pokrivanje se moraju postaviti na sigurnosnu udaljenost od istih. Savjetuje se također i uporaba protupožarnih materijala za pokrivanje.
 - ▶▶ 2.2.4. Koristite samo u dobro provjetrenim prostorima. Pripremite prikladan otvor u skladu s propisima na snazi u cilju uvođenja svježeg zraka izvana.
 - ▶▶ 2.2.5. Napajati grijač samo strujom koja ima napon i frekvenciju navedenu na identifikacijskoj pločici.
 - ▶▶ 2.2.6. Koristite samo produžetke koji su propisno uzemljeni.
 - ▶▶ 2.2.7. Minimalne preporučene sigurnosne udaljenosti između grijača i zapaljivih tvari su: prednji izlaz = 2,5 m; bočno, gore i otraga = 1,5 m.
 - ▶▶ 2.2.8. Stavite topli grijač ili kada radi na stabilnu i dobro poravnatu površinu na način da se onemogući rizik od požara.
 - ▶▶ 2.2.9. Potrebno je držati životinje na sigurnosnoj udaljenosti od grijača.
 - ▶▶ 2.2.10. Odspojiti grijač iz mrežne utičnice kada isti nije u uporabi.
 - ▶▶ 2.2.11. Kada termostat kontrolira grijač, on se može uključiti u bilo koje vrijeme.
 - ▶▶ 2.2.12. Nikada ne koristite grijač u prostorijama u kojima se često stanuje, niti u spavaćim sobama.
 - ▶▶ 2.2.13. Nikada ne blokirati otvor za zrak niti izlaz za zrak grijača.
 - ▶▶ 2.2.14. Kada je grijač topao ili povezan na električnu mrežu ili dok radi ne smije se nikada pomicati, njime se ne smije rukovati, puniti gorivom niti obavljati održavanje.
 - ▶▶ 2.2.15. Izbjegavati provođenje ulaznog i/ili izlaznog zraka uporabom neizvornih kompleta (tamo gdje su predviđeni).
 - ▶▶ 2.2.16. Održavati prikladnu udaljenost od zapaljivih materijala ili onih nepostojanih na toplinu (uključujući i kabel za napajanje) od vrućih dijelova grijača.
 - ▶▶ 2.2.17. Ako je kabel za napajanje oštećen, isti treba zamijeniti tehnička servisna služba kako bi se spriječilo nastajanje bilo kojeg rizika.
 - ▶▶ 2.2.18. Tijekom rada, uvjeriti se da su protupožarni aparati spremni za uporabu.

- ▶ 2.2.19. U slučaju zamjene plamenika, upotrebljavati izvorne rezerve dijelove, strogo se pridržavati navedenih podataka vezanih uz protok, vrstu mlaznica i tlak pumpe. Porast snage plamenika bi mogao oštetiti grijač.

▶▶▶ 3. UKLANJANJE AMBALAŽE

UPOZORENJE: MATERIJAL KOJI ČINI PAKIRANJE NIJE IGRAČKA ZA DJECU. ČUVATI PLASTIČNU VREĆICU DALEKO OD DJECE; POSTOJI OPASNOST OD GUŠENJA!

- ▶ 3.1. Ukloniti sav ambalažni materijal korišten za pakiranje i slanje grijača. Odložiti ga u skladu s propisima na snazi.
- ▶ 3.2. Ako se grijač nalazi na postolju, nježno ga spustiti pomoću prikladnih uređaja i instrumenata sukladno nacionalnim propisima i prema važećim propisima. Može se podići viličarem pomoću prikladnih lanaca i kuka za podizanje (grijač je opremljen okastim vijcima).
- ▶ 3.3. Provjeriti eventualne štete nastale tijekom prijevoza. Ako je grijač oštećen, odmah obavijestiti trgovca kod kojeg je isti kupljen.

▶▶▶ 4. SASTAVLJANJE

(SL. 2)

Ovi su grijači opremljeni ručkama, polugama, nosačima, ovisno o modelu. Takve komponente, uključujući i odgovarajuće vijke za montažu se nalaze u pakiranju grijača.

▶▶▶ 5. GORIVO

UPOZORENJE: GRIJAČ RADI SAMO NA DIZEL GORIVO ILI KEROZIN.

Upotrebljavati isključivo dizel gorivo ili kerozin kako bi se izbjegla opasnost od požara ili eksplozije. Nikada ne koristite benzin, ulje, otapala za boje, alkohol ili druga visoko zapaljiva goriva.

Koristite netoksične dodatke protiv smrzavanja u slučaju vrlo niskih temperatura.

Preporučujemo vam da koristite dizel za zimske uvjete u slučaju temperature ispod 5°C.

▶▶▶ 6. NAČELA RADA

Pumpa plamenika usisava gorivo iz spremnika i upućuje ga mlaznici pod tlakom gdje se raspršuje i miješa s odvodnim dimom u komori za izgaranje. Iskra izaziva izgaranje dok se otpadni dimni plinovi izbacuju kroz dimnjak. Niz senzora neprekidno provjerava pravilan rad grijača te zaustavlja ciklus u slučaju nepravilnosti. Svrha ventilatora, koji se nalazi na stražnjem dijelu grijača, je hladiti komoru za izgaranje i dio za vrtnju dimnih plinova uz prijenos topline u okolinu.

▶▶▶ 7. UPRAVLJAČKA PLOČA

(SL. 3)

- A. Elektronski regulator
- B. Brojač sati.
- C. Prekidač za uključivanje.

- D. Tipka za kontrolu ventilacije.
- E. Lampica za prisutnost napona.
- F. Lampica za alarm blokade plamenika.
- G. Lampica za alarm blokade ventilacije.
- H. Upozoravajuća lampica za previsoku temperaturu.
- I. Reset termostata za previsoku temperaturu.
- L. Priključnica plamenika.
- M. Osigurač.
- N. Priključnica daljinskog prostornog termostata.

▶▶▶ 8. RAD

UPOZORENJE: POZORNO PROČITATI „INFORMACIJE O SIGURNOSTI“, PRIJE UKLJUČIVANJA GRIJAČA.

▶▶ 8.1. UKLJUČIVANJE GRIJAČA:

- ▶ 8.1.1. Pridržavati se sigurnosnih uputa.
- ▶ 8.1.2. Povezati cijevi goriva uz poštivanje pravilnih priključaka za ulaz i izlaz (SL. 4).
- ▶ 8.1.3. Provjeriti ima li goriva u spremniku.
- ▶ 8.1.4. Ukopčati utikač za napajanje u električnu mrežu (SL. 5) (POGLEDAJTE NAPON U "TABLICI S TEHNIČKIM PODACIMA").
- ▶ 8.1.5. Postaviti prekidač za uključivanje na položaj "PLAMEN" (C SL. 3). Grijač bi se trebao uključiti za nekoliko sekundi. Ako se grijač ne pokrene, pročitajte odjeljak "PRONALAZENJE PROBLEMA".
- ▶ 8.1.6. Grijač se može upotrebljavati u načinu ventilacije; za pokretanje ove funkcije, postaviti prekidač za uključivanje u položaj "VENTILATOR" (C SL. 3).
- ▶ 8.1.7. Grijač ima tipku koja omogućuje kontrolu ventilacije (D SL. 3).
 - GUMB JE AKTIVAN: Ventilacija radi neprekidno (idealno za ekstremne uvjete uporabe).
 - GUMB NIJE AKTIVAN: Ventilacija radi u automatskom načinu (normalni rad).
- ▶ 8.1.8. Za modele s prostornim termostatom, provjeriti postavljenu temperaturu (SL. 6).

BILJEŠKA: U SLUČAJU ISKLJUČENJA GRIJAČA ZBOG NEDOSTATKA GORIVA, NAPUNITI SPREMNIK I OBAVITI RESET GRIJAČA (POGLEDAJTE ODJ. "RESET GRIJAČA").

VAŽNO: NA INDIRECTNIM MODELIMA, PRODUKTI IZGARANJA SE MOGU USMJERITI PREMA VANI. OBAVITE CIJEVNO POVEZIVANJE U SKLADU S PROPISIMA NA SNAZI I POŠTUJTE INDIKACIJE NAVEDENE U PRIKLADNOM ODJELJKU PRIRUČNIKA.

▶▶ 8.2. ISKLJUČIVANJE GRIJAČA:

Staviti prekidač za uključivanje na položaj "0" (C SL. 3). Plamen se gasi a ventilator nastavlja s radom sve dok se komora za izgaranje u potpunosti ne ohladi. Ne odspojiti utičnicu sve dok se ne okonča ciklus hlađenja.

▶▶▶ 9. RESET GRIJAČA

U slučaju da dođe do nepravilnosti u normalnom radu, grijač se isključuje.

Prije ponovnog puštanja grijača u rad, potrebno je pronaći i otkloniti uzrok koji je doveo do blokade (na primjer, začepljenje ulaznog/izlaznog otvora za zrak,

zaustavljanje ventilatora, nedostatak goriva, itd). U slučaju da se ne uspije riješiti problem koji je doveo do blokade, neka intervenira tehnički servis.

U cilju resetiranja grijača, poželjno je slijediti sljedeću proceduru (pridržavati se svih uputa vezanih uz sigurnost):

- ▶ **RESET TERMOSTATA ZA PREVISOKU TEMPERATURU (H SL. 3):** Grijač je dostigao maksimalnu temperaturu rada. Za resetiranje grijača, ukloniti uzrok koji je izazvao blokadu (ako je potrebno, obratiti se centru za potporu), ukloniti poklopac (SL. 7), odviti čep i pritisnuti do kraja gumb (I SL. 3). Nakon toga ponovno zaviti čep i vratiti poklopac (SL. 8).
- ▶ **RESET PLAMENIKA** [Lampica je uključena (F SL. 3) (SL. 9)]: Na plameniku je prisutna nepravilnost u radu. Za resetiranje plamenika, ukloniti uzrok koji je izazvao blokadu (ako je potrebno, obratiti se centru za potporu), ukloniti poklopac (SL. 7) i pritisnuti do kraja u trajanju od nekoliko sekundi gumb (SL. 10). Nakon toga vratiti poklopac (SL. 8).
- ▶ **RESET MOTORA VENTILACIJE** [Lampica je uključena (G SL. 3)]: Motor ventilacije je blokiran ili radi nepravilno. Za resetiranje grijača, staviti prekidač za uključivanje u položaj "0" (C SL. 3), ukloniti uzrok koji je izazvao blokadu (ako je potrebno, obratiti se centru za potporu) i ponovno uključiti grijač.

▶▶▶ **10. KONFIGURACIJA ELEKTRONSKOG REGULATORA**

VAŽNO: ELEKTRONSKI REGULATOR (PODEŠAVA GA PROIZVOĐAČ), AKO SE NE PODEŠAVA PONOVO, NE DOVODI U PITANJE ISPRAVAN RAD GRIJAČA.

Elektronski regulator (A SL. 3), nadzire uključivanje i isključivanje ventilacije u fazi pred zagrijavanja i post ventilacije grijača.

Ovisno o prostornoj temperaturi (izrazito hladna ili izrazito topla klima, VIDI TABL. „KONFIGURACIJA ELEKTRONSKOG REGULATORA“), može biti potrebno izmijeniti referentni parametar.

Procedura konfiguracije:

- ▶ 10.1. Uvjeriti se da je prekidač za uključivanje u položaju „0“ i da je utikač za napajanje povezan na električnu mrežu.
- ▶ 10.2. Pritisnuti po sljedećem redoslijedu tipke na digitalnom termostatu:
 - Pritisnuti tipku „SET“.
 - Otići do prikaza „SP2“ pomicanjem tipki „▼“ / „▲“.
 - Pritisnuti tipku „SET“ za ulazak.
 - Postaviti željenu temperaturu pomoću tipki „▼“ / „▲“.
 - Pritisnuti tipku „SET“ za potvrdu.

VAŽNO: ELEKTRONSKI REGULATOR NEMA FUNKCIJU PROSTORNOG TERMOSTATA.

▶▶▶ **11. ČIŠĆENJE FILTARA**

▶▶ 11.1. **FILTAR ZA USISAVANJE, OVISNO O MODELU:**

(SL. 11)

Ovisno o kvaliteti korištenog goriva, može biti nužno čišćenje filtera:

- ▶ 11.1.1. Uklonite čašu (A).
- ▶ 11.1.2. Izvadite filter (B) iz čaše i pazite da se očuvaju brtve.
- ▶ 11.1.3. Očistite filter (B) čistim gorivom, pazite da ga ne oštetite.
- ▶ 11.1.4. Ponovno postavite filter (B) u čašu.
- ▶ 11.1.5. Ponovno postavite čašu (A), pazite da pravilno postavite brtve.

▶▶ 11.2. **FILTAR PUMPE ZA GORIVO:**

Pogledajte program preventivnog održavanja.

▶▶▶ **12. ČUVANJE I PRIJEVOZ**

UPOZORENJE: PRIJE BILO KOJEG PREMJEŠTANJA, GRIJAČ SE MORA ZAUSTAVITI (POGLEDATI ODJ. "ISKLJUČIVANJE GRIJAČA"), ISKOPČATI ELEKTRIČNO NAPAJANJE IZVLAČENJEM UTIKAČA IZ STRUJNE UTIČNICE (SL. 12) I PRIČEKATI POTPUNO HLAĐENJE GRIJAČA. KADA SE GRIJAČ PREMJEŠTA, DRŽATI GA U RAVNOM POLOŽAJU.

Radi što boljeg očuvanja grijača, poželjno je slijediti sljedeću proceduru (pridržavati se svih uputa vezanih uz sigurnost):

- ▶ 12.1. Može se podići viličarem pomoću prikladnih lanaca i kuka za podizanje (grijač je opremljen okastim vijcima).
- ▶ 12.2. U cilju što boljeg očuvanja grijača se savjetuje da ga odložite na suho mjesto zaštićeno od oštećenja.

▶▶▶ **13. POVEZIVANJE NA PROSTORNI TERMOSTAT**

Na modelima koji su prethodno pripremljeni za povezivanje na prostorni termostat, skinuti čep povezan na grijač i povezati prostorni termostat (opcija) (SL. 13-14).

▶▶▶ **14. SAVJETI ZA PROVOĐENJE U CIJEVI** (SL. 15)

VAŽNO: IZBJEGAVATI PROVOĐENJE ULAZNOG I/ILI IZLAZNOG ZRAKA POMOĆU NEIZVORNIM KOMPLETA (TAMO GDJE SU PREDVIĐENI)

Radi izbjegavanja problema u radu grijača ili ozljeda osoba, potrebno je paziti na raspored cijevi za odvod zraka. Radi smanjenja otpora protoka zraka, poželjno je postaviti cijevi za provođenje tako da se smanji broj zavoja i izbjegne savijanje pod oštrim kutovima. Prvi metri cijevi moraju biti bez zavoja.

UPOZORENJE: PRIJE NEGO ŠTO OBAVITE BILO KOJU OPERACIJU ODRŽAVANJA ILI POPRAVLJANJA, ODSPOJITE KABEL ZA NAPAJANJE S ELEKTRIČNE MREŽE I UVJERITE SE DA SE GRIJAČ OHLADIO.

►►► 15. PROGRAM PREVENTIVNOG ODRŽAVANJA

KOMPONENTA	UČESTALOST ODRŽAVANJA	POSTUPAK ODRŽAVANJA
Filtri	Očistiti ili zamijeniti jednom godišnje ili prema potrebi (provjeriti cjelovitost)	Očistiti filtre (POGLEDATI ODJ. "ČIŠĆENJE FILTERA")
Filtar pumpe za gorivo	Očistiti ili zamijeniti jednom godišnje ili prema potrebi (provjeriti cjelovitost)	Obratiti se tehničkom servisu
Elektrode	Očistiti prema potrebi	Obratiti se tehničkom servisu
Ventilator	Očistiti prema potrebi	Obratiti se tehničkom servisu
Komora za izgaranje	Očistiti prema potrebi	Obratiti se tehničkom servisu

►►► 16. PRONALAZENJE PROBLEMA

PROBLEM	MOGUĆI UZROK	MOGUĆE RJEŠENJE
Grijač se ne pokreće ili ne ostaje uključen	<ol style="list-style-type: none"> 1. Prekidač za uključivanje u položaju "0" 2. Nema napajanja 3. Kabl za napajanje prekinut 4. Elektronika se treba resetirati ili je neispravna 5. Pogrešno postavljanje prostornog termostata (tamo gdje postoji) 6. Nema goriva 7. Prisutne su strane tvari u krugu goriva 8. Temperatura postavljena na digitalnom termostatu je previsoka 9. Elektronika u stanju blokade 	<ol style="list-style-type: none"> 1. Postaviti prekidač za uključivanje u položaj "PLAMEN" (C SL. 3) 2a. Ispravno ukopčati kabl za napajanje u strujnu utičnicu mreže (SL. 5) 2b. Provjeriti pravilan napon vašeg sustava 3. Obratiti se tehničkom servisu 4a. Resetirati grijač (POGLEDAJTE ODJ. "RESET GRIJAČA") 4b. Obratiti se tehničkom servisu 5. Na prostornom termostatu, postaviti višu temperaturu od one radnog prostora (SL. 6) 6. Uliti gorivo i eventualno resetirati grijač (POGLEDATI ODJ. "RESET GRIJAČA") 7a. Isprazniti i napuniti spremnik čistim gorivom 7b. Očistiti filtre (POGLEDAJTE ODJ. "ČIŠĆENJE FILTERA") 7c. Obratiti se centru za potporu 8. Spustiti temperaturu postavljenu na digitalnom termostatu (POGLEDAJTE ODJ. "KONFIGURACIJA ELEKTRONSKOG REGULATORA") 9. Resetirati elektroniku (POGLEDAJTE ODJ. "RESET GRIJAČA")
Grijač stvara dim tijekom rada	<ol style="list-style-type: none"> 1. Prisutne su strane tvari u krugu goriva 2. Začepljenost ulaznog otvora za zrak 	<ol style="list-style-type: none"> 1a. Isprazniti i napuniti spremnik čistim gorivom 1b. Očistiti filtre (POGLEDATI ODJ. "ČIŠĆENJE FILTERA") 1c. Obratiti se centru za potporu 2. Odstraniti sve moguće uzroke začepljenosti otvora za zrak
Grijač se ne isključuje	<ol style="list-style-type: none"> 1. Temperatura postavljena na digitalnom termostatu je preniska 2. Elektronika je neispravna 	<ol style="list-style-type: none"> 1. Podići temperaturu postavljenu na digitalnom termostatu (POGLEDATI ODJ. "KONFIGURACIJA ELEKTRONSKOG REGULATORA") 2. Obratiti se centru za potporu

SVARBU: PRIEŠ SURINKDAMI, EKSPLOATUODAMI AR ATLIKDAMI ŠIO ŠILDYTUVO PRIEŽIŪROS DARBUS, ATIDŽIAI PERSKAITYKITE ŠIAS NAUDOJIMO INSTRUKCIJAS. NETINKAMAS ŠILDYTUVO NAUDOJIMAS GALI SUKELTI SUNKIUS AR MIRTINUS SUŽALOJIMUS. SAUGOKITE ŠĮ VADOVĄ, KAD GALĖTUMĖTE PERŽIŪRĖTI ATEITYJE.

▶▶▶ 1. APRAŠYMAS

Šios kategorijos oro šildytuvai yra tinkamiausi vidutinio dydžio ar didelių patalpų apšildymui.

Netiesioginio šildymo šildytuvai (PAV. 1) dėl savo vidinio šilumokaičio gali atskirti degimo dujas nuo į aplinką tiekiamo karšto oro. Tokiu būdu karšto švaraus oro srautą galima įleisti į šildomas patalpas, o degimo rezultatai išleisti į išorę.

Šie oro šildytuvai buvo sukurti pagal pačius moderniausius saugumo, funkcionalumo ir patvarumo standartus. Apsauginiai prietaisai visada užtikrina teisingą šildytuvo veikimą.

▶▶▶ 2. SAUGUMO INFORMACIJA

ĮSPĖJIMAI



SVARBU: Šis oro šildytuvas yra skirtas naudoti kilnojant ir pagal laikinas profesionalias paskirtis. Jis nėra skirtas buitiniam naudojimui arba siekiant užtikrinti žmogaus šiluminį komfortą.



SVARBU: šis prietaisas nėra skirtas naudoti asmenims (įskaitant vaikus), turintiems fizinę, jutimo ar protinę negalia, arba neturintiems patirties ir žinių, nebent jie yra prižiūrėti asmens, atsakingo už jų saugumą. Nepalikite vaikų bet priežiūros, kad užtikrintumėte, jog jie su prietaisu nežaistų.



PAVOJUS: apsinuodijimas anglies monoksidu gali sukelti mirtį.

Pirmieji dusulio nuo anglies monoksido simptomai panašūs į gripo simptomus: jaučiamas galvos skausmas, svaigimas ir (arba) pykinimas. Šių simptomų priežastis gali būti netinkamai veikiantis šildytuvas. JEI ŠIE SIMPTOMAI PASIREIKŠTŲ, NEDELSdami IŠEIKITE Į LAUKĄ, o šildytuvo taisymą turi atlikti techninės pagalbos centras.

▶▶▶ 2.1. PRIPILDYMAS KURU:

- ▶ 2.1.1. Personalas, kuriam paskirta pripilti kuro, turi būti kvalifikuotas ir pilnai susipažinęs su gamintojo instrukcija ir galiojančiomis teisinėmis nuostatomis, susijusiomis su saugiu šildytuvų papildymu kuru.
- ▶ 2.1.2. Naudokite tik šildytuvo identifikacinėje plokštelėje aiškiai nurodytą kuro tipą.
- ▶ 2.1.3. Prieš įpildami kuro, šildytuvą išjunkite ir palaukite kol atvės.
- ▶ 2.1.4. Kuro talpyklos turi būti laikomos atskirame pastate.
- ▶ 2.1.5. Pagal galiojančių teisinių nuostatų reikalavimus, visi kuro bakai turi būti mažiausiai saugiu atstumu nuo šildytuvo.
- ▶ 2.1.6. Kuras turi būti laikomas patalpose su tokiu grindiniu, pro kurį nuvarvėjęs negalėtų

prasisunkti ir užsidegti nuo apačioje esančios ugnies.

- ▶ 2.1.7. Kuras turi būti sandėliuojamas laikantis galiojančių teisinių nuostatų reikalavimų.
- ▶ ▶ 2.2. SAUGA:
- ▶ 2.2.1. Niekada nenaudokite šildytuvo patalpose, kuriose yra benzino, dažų tirpiklių ir kitų labai degių dujų.
- ▶ 2.2.2. Naudodami šildytuvą, laikykitės visų vietinių taisyklių ir galiojančių reikalavimų.
- ▶ 2.2.3. Šildytuvai, naudojami šalia netoliese esančių brezentinių dangų, užuolaidų ar panašių medžiagų apdangalų, turi būti nuo jų saugiu atstumu. Taip pat patariama naudoti ugniai atsparius dangalus.
- ▶ 2.2.4. Naudokite tik tinkamai vėdinamose patalpose. Vadovaudamiesi galiojančių teisinių nuostatų reikalavimais, įrenkite angą, kad pro ją galėtų įeiti grynas oras.
- ▶ 2.2.5. Šildytuvas turi būti maitinamas tik elektros srove su identifikacinėje lentelėje nurodytais įtampa ir dažniu.
- ▶ 2.2.6. Naudokite tik tinkamai įžemintus ilgintuvus.
- ▶ 2.2.7. Mažiausi rekomenduotini saugūs atstumai tarp šildytuvo ir degių medžiagų: priekinis išėjimas = 2,5 m; šone, viršuje ir gale = 1,5 m.
- ▶ 2.2.8. Kad išvengtų gaisro rizikos, karštą ar veikiantį šildytuvą statykite ant tvirto ir lygaus paviršiaus.
- ▶ 2.2.9. Gyvūnus laikykite saugiu atstumu nuo šildytuvo.
- ▶ 2.2.10. Kai šildytuvo nenaudojate, išjunkite jį iš elektros lizdo.
- ▶ 2.2.11. Kai yra valdomas termostato, šildytuvas gali įsijungti bet kuriuo metu.
- ▶ 2.2.12. Niekada nenaudokite šildytuvo kambariuose, kuriuose paprastai yra gyvenama ar miegamuosiuose.
- ▶ 2.2.13. Niekada neužkimškite šildytuvo oro įleidimo ar oro išleidimo.
- ▶ 2.2.14. Šildytuvui įkaitus ar, kai jis yra prijungtas prie elektros tinklo, jo niekada negalima perkelti, imti rankomis, papildyti kuru ar atlikti bet kokius jo priežiūros darbus.
- ▶ 2.2.15. Įleidžiamą ir (arba) išleidžiamą orą nukreipkite naudodami originalius, tam skirtus rinkinius (kai numatyta).
- ▶ 2.2.16. Degias ar termolabilias medžiagas (įskaitant maitinamąjį laidą) laikykite atokiai nuo kaitrių šildytuvo dalių.
- ▶ 2.2.17. Jei maitinimo laidas sugadintas, jį turi pakeisti techninės pagalbos centras, kad būtų išvengta bet kokio pavojaus.
- ▶ 2.2.18. Veikimometu įsitikinkite, kad priešgaisrinės priemonės yra parengtos naudoti.

- **2.2.19. Jei keičiate degiklį, naudokite originalias atsargines dalys, kruopščiai laikykitės purkštukų srautui, tipui ir siurblio slėgiui numatytų reikalavimų. Padidėjus degiklio galiai galima sugadinti šildytuvą.**

►►► **3. IŠPAKAVIMAS**

ĮSPĖJIMAS: PAKUOTĒS MEDŽIAGA NĒRA SKIRTA VAIKAMS ŽAISTI. PLASTIKO MAIŠELĮ LAIKYKITE VAIKAMS NEPASIEKIAMOJE VIETOJE; PAVOJUS UŽDUSTII!

- 3.1. Nuimkite visas šildytuvui įpakuoti ir pristatyti naudotas pakuotės medžiagas. Atliekas tvarkykite laikydamiesi galiojančių teisinių nuostatų reikalavimų.
- 3.2. Jei šildytuvą padėtas ant platformos, atsargiai jį nukelkite naudodami tinkamus prietaisus ir instrumentus, vadovaudamiesi šalies teisės aktais ir laikydamiesi taikomų teisinių nuostatų reikalavimų. Galima jį pakelti šakiniu krautuvu naudojant tinkamas grandines ir pakabinamus kablius (šildytuvą turi ašinius varžtus).
- 3.3. Patikrinkite, ar gabenant nebuvo padaryta žalos. Jei pastebėjote pažeidimų, nedelsdami apie tai informuokite pardavėją, iš kurio įsigijote įrenginį.

►►► **4. SURINKIMAS**

(PAV. 2)

Šie šildytuvai, priklausomai nuo modelio, yra įrengti su rankenomis, laikikliais, atramomis ir t. t. Šie komponentai su atitinkamais montavimui skirtais varžtais yra šildytuvo pakuotėje.

►►► **5. KURAS**

ĮSPĖJIMAS: ŠILDYTUVAS VEIKIA TIK SU DYZELINU ARBA ŽIBALU.

Kad išvengtumėte gaisro ar sprogo, naudokite tik dyzeliną arba žibalą. Niekada nenaudokite benzino, naftos, dažų tirpiklio, alkoholio ar kito labai degaus kuro.

Labai žemos temperatūros atvejais naudokite netoksiškus antifrizo priedus.

Esant žemesnei nei 5°C temperatūrai, rekomenduojama naudoti žieminį dyzeliną.

►►► **6. VEIKIMO PRINCIPAI**

Degiklio siurblys siurbia kurą iš bako ir siunčia į suslėgtą purkštuką, kur jis nebulizuojamas ir degimo kameroje maišomas su degimo oru. Kibirkštis paskatina degimą, o tuo tarpu, išmetamieji dūmai išmetami pro kaminą. Eilė jutiklių šildytuvo veikimą nuolatos tikrina ir nustatę triktį, jį sustabdo. Galinėje šildytuvo dalyje įrengto ventiliatoriaus paskirtis – vėsinti degimo kamerą ir dūmtakį, išleidžiant jų sugeneruotą karštį į aplinką.

►►► **7. VALDYMO PULTAS**

(PAV. 3)

- A. Elektroninis reguliatorius.
B. Skaitiklis.
C. Jungiklis.

- D. Ventiliacijos valdymo mygtukas.
E. Veikiančios įtampos lemputė.
F. Degiklio bloko pavojaus signalinė lemputė.
G. Ventiliacijos bloko pavojaus signalinė lemputė.
H. Temperatūros viršijimo pavojaus signalinė lemputė.
I. Temperatūros viršijimo termostato nustatymas iš naujo.
L. Degiklio jungtis.
M. Saugiklis.
N. Nuotolinio aplinkos termostato jungtis.

►►► **8. VEIKIMAS**

ĮSPĖJIMAS: PRIEŠ ĮJUNGDAMI ŠILDYTUVĄ, ATIDŽIAI PERSKAITYKITE „SAUGUMO INFORMACIJĄ“.

- 8.1. ŠILDYTUVO ĮJUNGIMAS:
- 8.1.1. Laikykitės visų su saugumu susijusių nurodymų.
- 8.1.2. Prijunkite kuro vamzdžius naudodami tinkamas įvado ir išvado jungtis (PAV. 4).
- 8.1.3. Patikrinkite, ar bake yra kuro.
- 8.1.4. Prijunkite maitinimo kištuką prie elektros tinklo (PAV. 5) (ŽR. ĮTAMPĄ TECHNINIŲ DUOMENŲLENTELĖJE).
- 8.1.5. jungiklį nustatykite į padėtį „LIEPSNA“ (C PAV. 3). Šildytuvą turėtų įsijungti per kelias sekundes. Jei šildytuvą neįsijungia, žiūrėkite skirsnį „PROBLEMOS NUSTATYMAS“.
- 8.1.6. Šildytuvą gali būti naudojamas ventiliacijos režime; norėdami suaktyvinti šią funkciją, pasukite jungiklį į padėtį „VENTILIATORIUS“ (C PAV. 3).
- 8.1.7. Šildytuvą turi mygtuką, su kuriuo galima valdyti ventiliaciją (D PAV. 3).
-MYGTUKAS AKTYVUS: ventiliacija veikia nuolat (idealiai tinka ekstremalioms naudojimo sąlygoms).
-MYGTUKAS NEAKTYVUS: ventiliacija veikia automatiškai (įprastas veikimas).
- 8.1.8. Jei modelis yra su kambariniu termostatu, patikrinkite nustatytą temperatūrą (PAV. 6).
PASTABA: JEI ŠILDYTUVAS IŠSIJUNGTŲ DĒL PASIBAIGUSIO KURO, PRIPILDYKITE BAKĄ IR ATSTATYKITE ŠILDYTUVO ANKSTESNĒ BŪSENĄ (ŽR. PARAG. „ŠILDYTUVO DARBINIŲ SĄLYGŲ ATKŪRIMAS“).
SVARBU: NETIESIOGINIO ŠILDYMO MODELIŲ ATVEJU, DEGIMO PRODUKTAI GALI BŪTI IŠLEISTI Į IŠORĒ. IŠLEISDAMI DEGIMO PRODUKTUS Į APLINKĄ, VADOVAUKITĒ GALIOJANČIŲ TEISINIŲ NUOSTATŲ REIKALAVIMAMS IR LAIKYKITĒ TAM SKIRTAME VADOVO SKYRIUJE PATEIKTŲ NURODYMŲ.
- 8.2. ŠILDYTUVO IŠJUNGIMAS:
Jungiklį nustatykite į padėtį „0“ (C PAV. 3). Liepsna užgesta, o ventiliatorius veikia iki tol, kol degimo kamera visiškai atvėsta. Neatjunkite elektros kištuko, kol vėsinimo ciklas yra pilnai neužbaigtas.

▶▶▶ 9. ŠILDYTUVO DARBINIŲ SALYGŲ ATKŪRIMAS

Jei įprastas veikimas sutrinka, šildytuvas išsijungia. Kad vėl įjungtumėte šildytuvą veikti, reikia nustatyti ir pašalinti užblokavimo priežastį (pvz., užsikimšusi oro įleidimo/išleidimo anga, neveikia ventiliatorius, nėra kuro ir t.t.). Jei šildytuvo neveikimo priežasties pašalinti nepavyktų, tai turi išspręsti techninės pagalbos centras. Kad atkurtumėte šildytuvo darbinės sąlygas, rekomenduojama atlikti toliau nurodytą procedūrą (vadovaukitės visomis su sauga susijusiomis instrukcijomis):

- ▶ TEMPERATŪROS VIRŠIJIMO TERMOSTATO NUSTATYMAS IŠ NAUJO [Lemputė dega (H 3 PAV.): šildytuvas pasiekė aukščiausią veikimo temperatūrą. Norėdami nustatyti šildytuvą iš naujo, pašalinkite priežastį, dėl kurios jis užsiblokavo (jei reikia, kreipkitės į pagalbos centrą), nuimkite dangtį (PAV. 7), atsukite kamštį ir iki galo nuspauskite mygtuką (I PAV. 3). Po to vėl užsukite kamštį ir uždėkite dangtį (PAV. 8).
- ▶ DEGIKLIO NUSTATYMAS IŠ NAUJO [Lemputė dega (F PAV. 3) (PAV. 9)]: degiklio veikimas sutriko. Norėdami nustatyti degiklį iš naujo, pašalinkite priežastį, dėl kurios jis užsiblokavo (jei reikia, kreipkitės į pagalbos centrą), nuimkite dangtį (PAV. 7) ir iki galo kelias sekundes spauskite mygtuką (PAV. 10). Po to vėl uždėkite dangtį (PAV. 8).
- ▶ VENTILIACIJOS VARIKLIO NUSTATYMAS IŠ NAUJO [Lemputė dega (G PAV. 3)]: ventiliacijos variklis užblokuotas arba veikia netinkamai. Norėdami iš naujo nustatyti šildytuvą, jungiklį nustatykite į padėtį „0“ (C PAV. 3), pašalinkite priežastį, dėl kurios jis užsiblokavo (jei reikia, kreipkitės į pagalbos centrą) ir iš naujo įjunkite šildytuvą.

▶▶▶ 10. ELEKTRONINIO REGULIATORIAUS KONFIGŪRAVIMAS

SVARBU: JEI ELEKTRONINIS REGULIATORIUS NEBŪS NUSTATYTAS IŠ NAUJO (JAU NUSTATYTAS GAMINTOJO), JIS NEPAKENKS TINKAMAM ŠILDYTUVO VEIKIMUI.

Elektroninis reguliatorius (A PAV. 3) kontroliuoja ventiliacijos įjungimą ir išjungimą šildytuvo pirminio pakaitinimo ir vėlesnio ventiliavimo etape.

Atsižvelgiant į aplinkos temperatūrą (labai šaltas klimatas arba labai karštas klimatas, ŽR. LENT. „ELEKTRINIO REGULIATORIAUS KONFIGŪRAVIMAS“), gali prireikti pakeisti nuorodinį parametą.

Konfigūravimo procedūra:

- ▶ 10.1. Įsitikinkite, kad jungiklis yra padėtyje „0“, o elektros kištukas yra prijungtas prie elektros tinklo.
- ▶ 10.2. Paspauskite mygtukus nurodyta seka:
 - Paspauskite mygtuką „SET“.
 - Raskite „SP2“ naršydami mygtukais „▼“ / „▲“.
 - Paspauskite mygtuką „SET“, kad atidarytumėte.
 - Mygtukais „▼“ / „▲“ nustatykite pageidaujamą temperatūrą.
 - Paspauskite mygtuką „SET“, kad patvirtintumėte.

SVARBU: ELEKTRONINIS REGULIATORIUS NEATLIEKA APLINKOS TERMOSTATO FUNKCIJOS.

▶▶▶ 11. FILTRŲ VALYMAS

▶▶▶ 11.1. SIURBIMO FILTRAS, PRIKLAUSOMAI NUO MODELIO:

(PAV. 11)

Atsižvelgiant į naudojamo kuro kokybę, gali prireikti išvalyti filtrus:

- ▶ 11.1.1. Nuimkite taurelę (A).
- ▶ 11.1.2. Ištraukite filtrą (B) iš taurelės, stengdamiesi nepažeisti tarpiklių.
- ▶ 11.1.3. Nuvalykite filtrą (B) švariu kuru, stengdamiesi jo nesugadinti.
- ▶ 11.1.4. Vėl įdėkite filtrą (B) į taurelę.
- ▶ 11.1.5. Vėl įdėkite taurelę (A), stengdamiesi teisingai uždėti tarpiklius.

▶▶▶ 11.2. KURO SIURBLIO FILTRAS:

Žr. profilaktinės priežiūros programą.

▶▶▶ 12. LAIKYMAS IR GABENIMAS

ĮSPĖJIMAS: PRIEŠ BET KOKIUS PERKĖLIMO DARBUS, REIKIA ŠILDYTUVĄ SUSTABDYTI (ŽR. PARAG. „ŠILDYTUVO IŠJUNGIMAS“), IŠJUNGTI ELEKTROS TIEKIMĄ IŠTRAUKIANT KIŠTUKĄ IŠ ELEKTROS LIZDO (PAV. 12) IR PALAUKTI, KOL ŠILDYTUVAS VISIŠKAI ATVĖS). ŠILDYTUVĄ PERKELDAMI, JĮ LAIKYKITE HORIZONTALIOJE PADĖTYJE.

Kad geriau išsaugotumėte šildytuvą, rekomenduojama atlikti toliau nurodytą procedūrą (vadovaukitės visomis su sauga susijusiomis instrukcijomis):

- ▶ 12.1. Galima jį pakelti šakiniu krautuvu naudojant tinkamas grandines ir pakabinamus kablius (šildytuvas turi ašinius varžtus).
- ▶ 12.2. Siekiant geriau sandėliuoti šildytuvą, rekomenduojama padėti jį sausoje vietoje, atokiau nuo galimų pažeidimų.

▶▶▶ 13. KAMBARINIO TERMOSTATO PRIJUNGIMAS

Modeliuose, kuriuos galima jungti prie kambarinio termostato, nuimkite prie šildytuvo pritvirtintą dangtelį ir prijunkite kambarinį termostatą (pasirenkamas) (PAV. 13-14).

▶▶▶ 14. NURODYMAI DĖL ORO IŠLEIDIMO

(PAV. 15)

SVARBU: ĮLEIDŽIAMĄ IR (ARBA) IŠLEIDŽIAMĄ ORĄ NUKREIPKITE NAUDODAMI ORIGINALIUS, TAM SKIRTUS RINKINIUS (KAI NUMATYTA).

Kad išvengtumėte šildytuvo veikimo problemų arba žalos asmenims, reikia atkreipti dėmesį į oro išleidimo vamzdžių išsidėstymą. Kad sumažintumėte oro srauto pasipriešinimą, rekomenduojama išdėstyti išleidimo vamzdžius taip, kad alkūnių būtų kuo mažiau ir būtų išvengta lenkimų stačiuose kampuose. Pirmieji metrai turi būti be alkūnių.

ĮSPĖJIMAS: PRIEŠ ATLIKDAMI BET KOKIUS PRIEŽIŪROS AR TAISYMO DARBUS, NUO ELEKTROS TINKLO ATJUNKITE MAITINIMO LAIDĄ IR ĮSITIKINKITE, KAD ŠILDYTUVAS ATVĖSO.

►►► 15. PROFILAKTINĖ PRIEŽIŪROS PROGRAMA

KOMPONENTAS	PRIEŽIŪROS PERIODIŠKUMAS	PRIEŽIŪROS PROCEDŪRA
Filtrai	Valyti arba keisti kartą per metus arba pagal poreikius (patikrinti būklę)	Išvalykite filtrus (ŽR. PARAG. „FILTRŲ VALYMAS“)
Kuro siurblio filtras	Valyti arba keisti kartą per metus arba pagal poreikius (patikrinti būklę)	Kreipkitės į techninės pagalbos centrą
Elektrodai	Valyti pagal poreikius	Kreipkitės į techninės pagalbos centrą
Ventiliatorius	Valyti pagal poreikius	Kreipkitės į techninės pagalbos centrą
Degimo kamera	Valyti pagal poreikius	Kreipkitės į techninės pagalbos centrą

►►► 16. PROBLEMOS NUSTATYMAS

PROBLEMA	GALIMA PRIEŽASTIS	GALIMAS SPRENDIMAS
Šildytuvas neįsijungia ar įjungtas išsijungia	<ol style="list-style-type: none"> Jungiklis yrapadėtyje „0“ Nėra elektros maitinimo Maitinimo laidas nutrūkęs Reikia nustatyti iš naujo elektroniką arba ji yra sugedusi Klaidingai nustatytas kambarinis termostatas (jei yra) Nėra kuro Degimo kontūre yra pašalinių medžiagų Skaitmeniniame termostate nustatyta temperatūra yra per aukšta Elektronika užsiblokavusi 	<ol style="list-style-type: none"> Jungiklį nustatykite į padėtį „LIEPSNA“ (C PAV. 3) Į elektros tinklo lizdą maitinimo laidą įkiškite teisingai (PAV. 5) Patikrinkite, ar jūsų įrenginio įtampa yra tinkama Kreipkitės į pagalbos centrą Atstatykite šildytuvą (ŽR. PARAG. „ŠILDYTUVO DARBINIŲ SĄLYGŲ ATKŪRIMAS“) Kreipkitės į techninės pagalbos centrą Kambariniame termostate nustatykite aukštesnę nei darbo aplinkos temperatūrą (PAV. 6) Pripilkite kuro ir tada atstatykite šildytuvą (ŽR. PARAG. „ŠILDYTUVO DARBINIŲ SĄLYGŲ ATKŪRIMAS“) Baką ištuštinkite ir pripildykite švariu kuru Išvalykite filtrus (ŽR. PARAG. „FILTRŲ VALYMAS“) Kreipkitės į pagalbos centrą Sumažinkite nustatytą skaitmeninio termostato temperatūrą (ŽR. PARAG. „ELEKTRONINIO REGULIATORIAUS KONFIGŪRAVIMAS“) Atstatykite elektroniką (ŽR. PARAG. „ŠILDYTUVO DARBINIŲ SĄLYGŲ ATKŪRIMAS“)
Iš šildytuvo jo veikimo metu eina dūmai	<ol style="list-style-type: none"> Degimo kontūre yra pašalinių medžiagų Užsikimšusi oro įleidimo anga 	<ol style="list-style-type: none"> Baką ištuštinkite ir pripildykite švariu kuru Išvalykite filtrus (ŽR. PARAG. „FILTRŲ VALYMAS“) Kreipkitės į pagalbos centrą Oro įleidimo angą atkimškite
Šildytuvas neišsijungia	<ol style="list-style-type: none"> Skaitmeniniame termostate nustatyta temperatūra yra per žema Elektroninė plokštė sugedo 	<ol style="list-style-type: none"> Padidinkite nustatytą skaitmeninio termostato temperatūrą (ŽR. PARAG. „ELEKTRONINIO REGULIATORIAUS KONFIGŪRAVIMAS“) Kreipkitės į pagalbos centrą

**SVARĪGI: PIRMS ŠĪ SILDĪTĀJA MONTĀŽAS, EKSPLUATĀCIJAS VAI TEHNISKĀS
APKOPES DARBU VEIKŠANAS IZLASIET UN IZPROTIET ŠO EKSPLUATĀCIJAS
ROKASGRĀMATU.
NEATBILSTOŠA SILDĪTĀJA IZMANTOŠANA VAR IZRAISĪT NOPIETNAS TRAUMAS VAI
NĀVI. SAGLABĀJIET ŠO ROKASGRĀMATU TURPMĀKAI ATSAUCEI.**

►►► **1. APRAKSTS**

Šīs sērijas gaisa sildītāji ir īpaši piemēroti apkurei vidēja vai liela izmēra telpās.

Netiešās apkures sildītāji (ATT. 1), pateicoties siltummainim, ļauj atdalīt sadegšanas gāzes no karstā gaisa vidē. Tādā veidā ir iespējams ievadīt tīru karsto gaisu apsildes vietā un izvadīt izplūdes gāzes.

Šie siltā gaisa sildītāji ir izstrādāti saskaņā ar lielāko daļu mūsdienu drošības, funkcionalitātes un izturības standartiem. Drošības ierīces vienmēr nodrošina pareizu sildītāja darbību.

►►► **2. DROŠĪBAS INFORMĀCIJA
BRĪDINĀJUMS**



SVARĪGI: Šis gaisa sildītājs ir izstrādāts mobilam un īslaicīgam profesionālajam pielietojumam. Tas nav paredzēts lietošanai mājāsaimniecībā apsildei cilvēku ērtībām.



SVARĪGI: Šī iekārta nav paredzēta lietošanai personām (ieskaitot bērnus) ar ierobežotām fiziskām, sensorām vai garīgajām spējām, vai nepieredzējušiem, ja vien viņus neuzrauga par viņu drošību atbildīgas personas. Bērni jāuzrauga, nodrošinot, lai viņi nerotaļātos ar iekārtu.



RISKI: nosmakšana oglekļa monoksīda ietekmē var būt letāla.

Nosmakšanas no oglekļa monoksīda pirmie simptomi ir līdzīgi gripai: galvassāpes, reibonis un/vai slikta dūša. Šos simptomus var izraisīt sildītāja darbības traucējumi. **JA PARĀDĀS KĀDS NO ŠIEM SIMPTOMIEM, NEKAVĒJOTIES IZEJIET SVAIGĀ gaisā un nododiet sildītāju labošanai tehniskās palīdzības centrā.**

►► **2.1. DEGVIELAS UZPILDE:**

- 2.1.1. Personālam, kas atbild par degvielas uzpildi, jābūt kvalificētam un pilnībā jāpārzina ražotāja instrukcijas un noteikumi, kas reglamentē drošu sildītāju piegādi.
- 2.1.2. Izmantojiet tikai to degvielas veidu, kas skaidri norādīts sildītāja plāksnītē.
- 2.1.3. Pirms degvielas uzpildes izslēdziet sildītāju un ļaujiet tam atdzist.
- 2.1.4. Degvielas uzglabāšanas tvertnēm jāatrodas atsevišķā objektā.
- 2.1.5. Visām degvielas tvertnēm jāatrodas minimāli drošā attālumā no sildītāja saskaņā ar pašreizējiem standartiem.

► 2.1.6. Degviela jāuzglabā telpās ar grīdas segumu, kas neļauj tai nokļūt un nopilēt uz apakšējās liesmas, izraisot degvielas aizdegšanos.

► 2.1.7. Degvielas uzglabāšana jāveic saskaņā ar vietējiem noteikumiem.

►► **2.2. DROŠĪBAS PASĀKUMI:**

- 2.2.1. Nekad neizmantojiet sildītāju telpā, kur atrodas benzīns, krāsas šķīdinātāji vai citi viegli uzliesmojoši tvaiki.
- 2.2.2. Lietojot sildītāju, ievērojiet visus vietējos, spēkā esošos priekšrakstus un noteikumus.
- 2.2.3. Sildītājiem, kas tiek izmantoti nojumes, telts vai citu līdzīga seguma materiālu tuvumā, jāatrodas drošā attālumā no tiem. Arī ieteicams izmantot ugunsdrošus jumta materiālus.
- 2.2.4. Izmantot tikai labi vēdināmās telpās. Nodrošināt pietiekamu atveri saskaņā ar noteikumiem, lai ievadītu svaigu gaisu no ārpusē.
- 2.2.5. Sildītāja barošanu nodrošināt, izmantojot strāvas padeves rozeti ar spriegumu un frekvenci, kas norādīti uz plāksnītes.
- 2.2.6. Izmantot tikai pienācīgi sazemētus pagarinātājus.
- 2.2.7. Ieteicamie minimālie drošības attālumi starp sildītāju un uzliesmojošiem materiāliem ir šādi: priekšējā izeja = 2,5 m, sānu, augšējā un aizmugurējā izeja = 1,5 m.
- 2.2.8. Novietojiet silto vai funkcionējošo sildītāju uz cietas, līdzenas virsmas, lai novērstu ugunsgrēka risku.
- 2.2.9. Turiet mājdzīvniekus drošā attālumā no sildītāja.
- 2.2.10. Atvienojiet sildītāju no sienas kontaktligzdas, ja to nelietojat.
- 2.2.11. Kontrolējot sildītāju ar termostatu, tas var uzliesmot jebkurā brīdī.
- 2.2.12. Nekad neizmantojiet sildītāju bieži apdzīvotās telpās, ne arī guļamistabā.
- 2.2.13. Nekad nenobloķējiet sildītāja gaisa ieplūdi vai gaisa izvadi.
- 2.2.14. Ja sildītājs ir karsts vai pieslēgts strāvas padeves tīklam, vai arī darbojas, to nedrīkst pārvietot, izmantot, uzpildīt ar degvielu, kā arī veikt tehniskās apkopes darbus.
- 2.2.15. Novadot gaisu ieejā un/vai izejā, izmantojiet tikai oriģinālos komplektus (kur paredzēts).
- 2.2.16. Saglabāt drošības attālumus starp uzliesmojošiem vai termoneizturīgiem materiāliem (ieskaitot strāvas vadu) un sakarsušajām sildītāja daļām.

- ▶ **2.2.17.** Ja strāvas padeves vads ir bojāts, tas jānomaina apkopes centrā, lai novērstu jebkādu risku.
- ▶ **2.2.18.** Operācijas laikā pārliecinieties, vai ugunsdzēsāmie aparāti ir piemēroti izmantošanai.
- ▶ **2.2.19.** Ja deglis ir jānomaina izmantojiet oriģinālās rezerves daļas, uzmanīgi ievērojiet plūsmas ātrumu, sprauslu tipu un sūkņa spiedienu. Degļa izvades pieaugums var sabojāt sildītāju.

▶▶▶ **3. IZPAKOŠANA**

BRĪDINĀJUMS: IEPAKOJUMA MATERIĀLI NAV BĒRNU ROTĀLIETA. PLASTMASAS MAISIŅU UZGLABĀJIET BĒRNIEM NEPIEEJAMĀ VIETĀ; NOSMAKŠANAS RISKS.

- ▶ 3.1. Novāciet visus iepakojuma materiālus, kas tika izmantoti, lai iepakotu un nosūtītu sildītāja. Iznīcināt saskaņā ar spēkā esošajiem noteikumiem.
- ▶ 3.2. Ja sildītājs novietots uz platformas, nolaists lejā, saudzīgi, izmantojot ierīces un instrumentus, saskaņā ar valsts tiesību aktiem un saskaņā ar pašreizējiem noteikumiem. To var pacelt ar pacelēju, izmantojot atbilstošas ķēdes un āķus (sildītājs ir aprīkots ar bultskrūvēm).
- ▶ 3.3. Pārbaudiet, vai transportēšanas laikā nav radušies bojājumi. Ja sildītājs ir bojāts, nekavējoties sazinieties ar izplatītāju, kas to piegādājis.

▶▶▶ **4. MONTĀŽA**

(ATT. 2)

Šie sildītāji ir aprīkoti ar riteņiem, rokturi un kamīnu, utt., atkarībā no modeļa. Šie komponenti, kopā ar attiecīgo montāžas aparatūru, atrodas sildītāja iepakojumā.

▶▶▶ **5. DEGVIELA**

BRĪDINĀJUMS: SILDĪTĀJS DARBOJAS TIKAI AR PETROLEJU VAI DĪZEĻDEGVIELU.

Izmantojiet tikai dīzeļdegvielu vai petroleju, lai izvairītos no ugunsgrēka vai eksplozijas. Nekad nelietojiet benzīnu, naftu, šķīdinātājus, alkoholu vai citus viegli uzliesmojošus kurināmos.

Izmantojiet netoksisku antifrīzu pie ļoti zemām temperatūrām.

Pie temperatūras zem 5°C ieteicams izmantot ziemas dīzeļdegvielu.

▶▶▶ **6. DARBĪBAS PRINCIPI**

Degļa sūknis uzsūc degvielu no tvertnes un nosūta to uz sprauslu ar spiedienu, kur to izsmidzina un sajauc ar sadegšanas gaisu sadegšanas kamerā. Dzirkstele aizdedzina dedzināšanas atkritumus un izmešu dūmus no skursteņa. Vairāki sensori pastāvīgi pārbauda pareizu sildītāja darbību, pārtraucot ciklu anomālijas gadījumā. Ventilatora, kas novietots sildītāja aizmugurē, nolūks ir atdzēsēt degšanas

kameru un siltuma saglabāšanas sistēmu, nododot siltumu no tās videi.

▶▶▶ **7. VADĪBAS PANELIS**

(ATT. 3)

- A. Elektroniskais regulators.
- B. Stundu skaitītājs.
- C. Barošanas slēdzis.
- D. Ventilācijas vadības spiedpoga.
- E. Elektriskā sprieguma brīdinājuma indikators.
- F. Degļa bloķēšanas brīdinājuma indikators.
- G. Ventilatora bloķēšanas brīdinājuma indikators.
- H. Pārkaršanas brīdinājuma indikators.
- I. Atiestatiet pārkaršanas termostatu.
- L. Degļa savienotājs.
- M. Drošinātājs.
- N. Tālvadības vides termostata savienotājs.

▶▶▶ **8. DARBA REŽĪMS**

BRĪDINĀJUMS: PIRMS SILDĪTĀJA IESLĒGŠANAS UZMANĪGI IZLASIET "INFORMĀCIJA PAR DROŠĪBAS PASĀKUMIEM".

▶▶ 8.1. SILDĪTĀJA IESLĒGŠANA:

- ▶ 8.1.1. Ievērojiet visus drošības norādījumus.
- ▶ 8.1.2. Savienojiet degvielas caurules, ievērojot pareizos ieplūdes un izplūdes savienojumus (ATT. 4).
- ▶ 8.1.3. Pārbaudiet, vai tvertnē ir degviela.
- ▶ 8.1.4. Pievienojiet strāvas kontaktdakšu elektrotīklam (ATT. 5) (SKATĪT SPRIEGUMU "TEHNISKO DATU TABULA").
- ▶ 8.1.5. Pagrieziet ieslēgšanas slēdzi stāvoklī "LIESMA" (C ATT. 3). Sildītājam jāieslēdzas dažu sekunžu laikā. Ja sildītājs neieslēdzas, skatiet sadaļu "PROBLĒMAS APRAKSTS".
- ▶ 8.1.6. Sildītāju var izmantot ventilācijas režīmā, lai aktivizētu šo funkciju, pagrieziet aizdedzes slēdzi stāvoklī "VENTILATORS" (C ATT. 3).
- ▶ 8.1.7. Sildītājam ir spiedpoga, kas ļauj kontrolēt ventilāciju (D ATT. 3).
-SPIEDPOGA AKTIVIZĒTA: Ventilācija darbojas nepārtraukti (ideāls ekstremālos lietošanas apstākļos).
-SPIEDPOGA DEAKTIVIZĒTA: Ventilācija darbojas automātiski (normāla darbība).
- ▶ 8.1.8. Modeļiem ar vides termostatu pārbaudiet temperatūras iestatījumu (ATT. 6).

PIEZĪME: SILDĪTĀJA IZSLĒGŠANĀS GADĪJUMĀ DEGVIELAS TRŪKUMA DĒĻ UZPILDĪT TVERTNI UN ATIESTATĪT SILDĪTĀJU (SKATĪT SADAĻU "SILDĪTĀJA ATIESTATĪŠANA").

SVARĪGI: NETIEŠO MODEĻU DEGŠANAS PRODUKTI IR JĀIZVADA UZ ĀRU. KANALIZĀCIJAS SISTĒMA DARBOJAS SASKAŅĀ AR SPĒKĀ ESOŠAJIEM NOTEIKUMIEM, UN SEKOJOT NORĀDĪJUMIEM ŠIS ROKASGRĀMATAS SADAĻĀ.

▶▶ 8.2. SILDĪTĀJA IZSLĒGŠANA:

- ▶ Pagrieziet ieslēgšanas slēdzi stāvoklī "0" (C ATT. 3). Liesma apdzies, un ventilators turpina darboties,

līdz sadegšanas kamera nav pilnībā atdzisusi. Neatvienojiet kontaktdakšu, līdz dzesēšanas cikls nav pilnībā beidzies.

►►► 9. SILDĪTĀJA ATIESTATĪŠANA

Ja normālā darbības režīmā tiek noteikta anomālija, sildītājs izslēdzas.

Pirms sildītāja darbības atsākšanas nepieciešams atrast un novērst cēloni, kas izraisījis izslēgšanos (piemēram, gaisa ieplūdes un/vai gaisa izplūdes obstrukcija, ventilatora apstāšanās, utt.). Ja nevarat novērst problēmu, kas izraisījusi izslēgšanos, sazinieties ar tehnisko pakalpojumu centru.

Lai atiestatītu sildītāju, ieteicams veikt šādas darbības (ievērot visus drošības norādījumus):

► ATIESTATIET PĀRKARŠANAS TERMOSTATU [Brīdinājuma signāls (H ATT. 3)]: Sildītājs ir sasniedzis maksimālo ekspluatācijas temperatūru. Lai atiestatītu sildītāju, novērsiet cēloni, kas radīja bloķēšanu (attiecas uz pakalpojumu centru), noņemiet vāciņu (ATT. 7), noskrūvēt aizbāzni un nospiediet līdz galam spiedpogu (I ATT. 3). Pēc tam ieskrūvējiet vāciņu atpakaļ un noņemiet vāciņu (ATT. 8).

► ATIESTATIET DEGLI [Brīdinājuma signāls (F ATT. 3) (ATT. 9)]: Deglim uzrādījās darbības traucējumi. Lai atiestatītu degli, novērsiet cēloni, kas radīja bloķēšanu (attiecas uz pakalpojumu centru), noņemiet vāciņu (ATT. 7) un nospiediet līdz galam spiedpogu (ATT 10). Pēc tam ieskrūvējiet vāciņu atpakaļ (ATT. 8).

► VENTILĀCIJAS MOTORA ATIESTATĪŠANA [indikators (G ATT. 3)]: Ventilācijas motors ir bloķēts vai darbojas nepareizi. Lai atiestatītu sildītāju, pagrieziet ieslēgšanas slēdzi stāvoklī "0" (C ATT. 3) atiestatiet sildītāju, novērsiet cēloni, kas radīja bloķēšanu (attiecas uz pakalpojumu centru), un ieslēdziet sildītāju.

►►► 10. ELEKTRONISKĀ REGULĀTORA KONFIGURĀCIJA

SVARĪGI: JA ELEKTRONISKAIS REGULĀTORŠ (IZSTRĀDĀJUMA RAŽOTĀJA IESTATĪTS) NETIEK ATIESTATĪTS, TAS NEVAR PAREIZI PAREDZĒT SILDĪTĀJA DARBĪBU.

Elektroniskais regulators (A ATT. 3) kontrolē ventilatora ieslēgšanu un izslēgšanu sildītāja pirmssildīšanas un pēc ventilācijas fāzē.

Atkarībā no apkārtējās vides temperatūras (ļoti auksts laiks vai ļoti karsts laiks, SKAT. TAB. "ELEKTRONISKĀ REGULĀTORA KONFIGURĀCIJA"), var būt nepieciešams mainīt atsauces parametru.

Konfigurācijas procedūra:

► 10.1. Pārlicinieties, ka slēdzis ir stāvoklī "0" un kontaktdakša ir pievienota strāvas avotam.

► 10.2. Nospiediet taustiņus šādā secībā:

-Nospiediet taustiņu "SET".

-Parādiet "SP2", naviģējot ar taustiņiem "▼" / "▲".

-Nospiediet taustiņu "SET", lai ievadītu.

-Iestatiet vēlamu temperatūru ar taustiņiem "▼" / "▲".

-Nospiediet taustiņu "SET", lai apstiprinātu.

SVARĪGI: ELEKTRONISKAJAM REGULĀTORAM NAV VIDES TERMOSTATA FUNKCIJAS.

►►► 11. FILTRU TĪRĪŠANA

►► 11.1. IESŪKŠANAS FILTRS, ATKARĪBĀ NO TĀ MODEĻA:

(ATT. 11)

Atkarībā no izmantotās degvielas kvalitātes, var rasties nepieciešamība tīrīt filtrus:

► 11.1.1. Noņemiet platgalu (A).

► 11.1.2. Noņemiet filtru (B) no platgala, uzmanīgi, lai saglabātu plombas.

► 11.1.3. Notīriet filtru (B) ar tīru degvielu, uzmanīgi, lai to nesabojātu.

► 11.1.4. Uzlieciet vietā platgala filtru (B).

► 11.1.5. Uzlieciet vietā platgalu (A), uzmanīgi un pareizi uzliekot vietā plombas.

►► 11.2. DEGVIELAS SŪKŅA FILTRS:

Skatīt profilaktiskās apkopes grafiku.

►►► 12. UZGLABĀŠANA UN PĀRVADĀŠANA

BRĪDINĀJUMS: PIRMS JEBKURAS PĀRVIETOŠANAS BŪTU JĀAPSTĀDINA SILDĪTĀJS (SKATĪT SADAĻU "SILDĪTĀJA IZSLĒGŠANA"), ATVIENOJIET STRĀVAS PADEVI, IZŅEMOT SPRAUDNI NO ELEKTRĪBAS KONTAKTLIGZDAS (ATT. 12) UN GAIDIET PILNĪGU DZESĒTĀJA DZESĒŠANU. KAD JŪS PĀRVIETOJOT SILDĪTĀJU, SAGLABĀJIET TO LĪMEŅA STĀVOKLĪ.

Lai atiestatītu sildītāju, ieteicams veikt šādas darbības (ievērojot visus drošības norādījumus):

► 12.1. To var pacelt ar pacelēju, izmantojot atbilstošas ķēdes un āķus (sildītājs ir aprīkots ar bultskrūvēm).

► 12.2. Lai labāk uzglabātu sildītāju, iesakām to glabāt sausā un no bojājumiem aizsargātā vietā.

►►► 13. VIDES TERMOSTATA PIEVIENOŠANA

Modeļiem ar termostata pievienošanas aprīkojumu noņemiet sildītāja savienojuma vāciņu un pieslēdziet vides termostatu (opcionāli) (ATT. 13-14).

►►► 14. CAURULVADU INDIKĀCIJAS

(ATT. 15)

SVARĪGI: NOVADOT GAISU IEEJĀ UN/VAI IZEJĀ, IZMANTOJIET TIKAI ORIĢINĀLOS KOMPLEKTUS (KUR PAREDZĒTS).

Lai izvairītos no sildītāja darbības vai kaitējumu nodarīšanu cilvēkiem problēmām, ir jāpievērš uzmanība gaisa izvadu caurulēm. Lai samazinātu gaisa plūsmas pretestību, ieteicams ievietot kanalizācijas caurules, samazinot līkņu skaitu un izvairīties no locījuma vietām ar asiem leņķiem. Pirmajiem metriem jābūt bez līknēm.

BRĪDINĀJUMS: PIRMS JEBKĀDU TEHNISKĀS APKOPES VAI REMONTDARBU VEIKŠANAS ATVIENOJIET STRĀVAS VADU NO ELEKTROTĪKLA UN PĀRLIECINIETIES, VAI SILDĪTĀJS IR ATDZISIS.

► ► ► 15. PROFILAKTISKĀS APKOPES GRAFIKS

SASTĀVDAĻA	APKOPES BIEŽUMS	APKOPES PROCESS
Filtri	Iztīriet vai nomainiet filtru reizi gadā vai pēc nepieciešamības (pārbaudiet integritāti)	Iztīriet filtrus (SKATIET «FILTRU TĪRĪŠANA»)
Degvielas sūkņa filtrs	Iztīriet vai nomainiet filtru reizi gadā vai pēc nepieciešamības (pārbaudiet integritāti)	Sazinieties ar klientu apkalpošanas centru
Elektrodi	Tīriet pēc nepieciešamības	Sazinieties ar klientu apkalpošanas centru
Ventilators	Tīriet pēc nepieciešamības	Sazinieties ar klientu apkalpošanas centru
Sadegšanas kamera	Tīriet pēc nepieciešamības	Sazinieties ar klientu apkalpošanas centru

► ► ► 16. PROBLĒMAS NOTEIKŠANA

PROBLĒMA	IESPĒJAMĀIS CĒLONIS	IESPĒJAMĀIS RISINĀJUMS
Sildītājs neieslēdzas vai paliek neieslēgts	<ol style="list-style-type: none"> Aizdedzesslēdzis atrodas stāvoklī "0" Nav strāvas padeves Strāvas vads pārtraukts Elektronika, kas jāatjauno vai ir bojāta Vides termostata (ja tāds ir) nepareizs iestatījums Trūkst degviela Svešķermeņi degvielas ķēdē Digitālā termostata iestatītā temperatūra ir pārāk augsta Elektronika bojāta 	<ol style="list-style-type: none"> Pagrieziet ieslēgšanas slēdzi stāvoklī "LIESMA" (C ATT. 3) 2a. Ievietojiet strāvas vadu sienas kontaktligzdā (ATT. 5) 2b. Pārbaudiet ierīces spriegumu 3. Sazinieties ar klientu apkalpošanas centru 4a. Atiestatiet sildītāju (SKATĪT SADAĻU "ATIESTATIET SILDĪTĀJU") 4b. Sazinieties ar klientu apkalpošanas centru 5. Iestatiet termostatu tā, lai temperatūra būtu augstāka par darba vides temperatūru (ATT. 6) 6. Uzpildiet degvielu un, iespējams, atiestatiet sildītāju (SKATĪT SADAĻU "SILDĪTĀJA ATIESTATĪŠANA") 7a. Iztukšojiet un uzpildiet tvertni ar tīru degvielu 7b. Iztīriet filtrus (SKATĪT SADAĻU "FILTRU TĪRĪŠANA") 7c. Sazinieties ar klientu apkalpošanas centru 8. Pazemināt elektroniskā termostata noteikto temperatūru (SKATĪT SADAĻU "ELEKTRONISKĀ REGULATORA KONFIGURĀCIJA") 9. Atiestatiet elektroniku (SKATĪT SADAĻU "ATIESTATIET SILDĪTĀJU")
Darbības laikā sildītājs izmet dūmus	<ol style="list-style-type: none"> Svešķermeņi degvielas ķēdē Gaisa ieplūdes zonas obstrukcija 	<ol style="list-style-type: none"> 1a. Iztukšojiet un uzpildiet tvertni ar tīru degvielu 1b. Iztīriet filtrus (SKATĪT SADAĻU "FILTRU TĪRĪŠANA") 1c. Sazinieties ar klientu apkalpošanas centru 2. Novērst visus iespējamus šķēršļus gaisa ieplūdes zonā
Sildītājs neizslēdzas	<ol style="list-style-type: none"> Digitālā termostata iestatītā temperatūra ir pārāk zema Bojāta elektronika 	<ol style="list-style-type: none"> 1. Pazemināt elektroniskā termostata noteikto temperatūru (SKATĪT SADAĻU "ELEKTRONISKĀ REGULATORA KONFIGURĀCIJA") 2. Sazinieties ar klientu apkalpošanas centru


OLULINE: ENNE KÜTTESEADME KOKKUPANEMIST, KÄIVITAMIST VÕI HOOLDUST TULEB KASUTUSJUHE LÄBI LUGEDA JA SELLEST ARU SAADA. KÜTTESEADME VALE KASUTAMINE VÕIB PÕHJUSTADA RASKEID VÕI SURMAGA LÕPPEVAID VIGASTUSI. KASUTUSJUHE TULEB HOIDA, ET SEDA SAAKS TULEVIKUS KASUTADA.


▶▶▶ **1. KIRJELDUS**

Kuuma õhu puhuri komplekt on sobiv eriti keskmise või suure suurusega tubade või ruumide soojendamiseks. Kaudse soojendamisega kütteseadmed (PILT 1) tänu sisemisele soojusvahetile võimaldavad eraldada põlemisgaasid kuumast õhust, mis on sisestatud keskkonda. Sel viisil saab teil olla kuumutatavas kohas puhas kuum õhuvoolu ja suunata põlemisprodukte välisõhku.

Need kuuma õhu puhurid on projekteeritud vastavalt kõige kaasaegsematele ohutuse, funktsionaalsuse ja vastupidavuse kriteeriumidele. Ohutusseadmed tagavad alati kütteseadme nõuetekohase toimimise.

▶▶▶ **2. OHUTUSINFOD**
HOIATUSED

 **OLULINE:** See õhukütteseadme on mõeldud mobiilseteks ja ajutisteks professionaalseteks rakendusteks. See ei ole mõeldud kasutamiseks kodus keskkonnas ega inimeste soojusmugavusena.

 **OLULINE:** Seda seadet ei tohi kasutada vähese füüsilise, sensoorse ja vaimse võimega inimesed (sh lapsed) või kogenematud inimesed, välja arvatud juhul, kui nende järele vaatab nende ohutuse eest vastutav isik. Jälgige, et lapsed ei mängiks seadmega.

 **OHT:** Vingu lämbumine võib ära tappa.

Vingulämbumise esimesed sümptomid sarnanevad gripi sümptomitega: peavalu, pearinglus ja/või iiveldus. Samasuguseid sümptomeid võib põhjustada kütteseadme rikkis toimimine. **SELLISTE SÜMPTOOMIDE MÄRKIMISEL KOHE TULGE VÄRSKE ÕHU KÄTTE** ja andke kütteseadme remondikeskusele, et seda parandaks.

▶▶▶ **2.1. TÄIENDUS:**

- ▶▶▶ 2.1.1. Täienduse eest vastutav personal peab olema kvalifitseeritud ja täielikult teadlik tootja instruktsioonidest ja kehtivatest normidest ohutu kütteseadete täienduse kohta.
- ▶▶▶ 2.1.2. Kasutage ainult seda kütteseadme tüüpi, mis on määratud kütteseadme tuvastamissildil.
- ▶▶▶ 2.1.3. Enne täienduse teostamist lülitage kütteseadme välja ja oodake kuni see jahtub ära.
- ▶▶▶ 2.1.4. Kütuse paagid peavad asuma erikonstruktsioonis.
- ▶▶▶ 2.1.5. Kõik kütuse paagid peavad kütteseadmelt asuma minimaalsel kaugusel vastavalt kehtivatele normidele.

- ▶▶▶ 2.1.6. Kütust tuleb hoida ruumides, kus põrand ei lase läbilaskmist ega tilkumist allolevate leekide peal, mis võivad põhjustada selle süttimist.
- ▶▶▶ 2.1.7. Kütuse ladustamine peab toimuma kooskõlas kehtiva seadusandlusega.
- ▶▶▶ **2.2. OHUTUS:**
- ▶▶▶ 2.2.1. Ärge kunagi kasutage kütteseadet paikades, kus on olemas bensiin, lahustid või muud kergsüttivad ained.
- ▶▶▶ 2.2.2. Kütteseadme kasutamisel tuleb järgida kõiki kehtivaid kohalikke nõudeid ja norme.
- ▶▶▶ 2.2.3. Kütteseadmed, mida kasutatakse presentide, eesriiete või teiste sarnaste katusematerjalide lähedal, peavad nendest asuma ohutul kaugusel. Soovitatav on kasutada tulekindlaid kattematerjale.
- ▶▶▶ 2.2.4. Kasutage ainult ventileeritud ruumides. Kindlustage nõuetekohast avamist vastavalt kehtivatele normidele, et väljastpoolt tuleks värske õhk.
- ▶▶▶ 2.2.5. Kütteseadme toiteks kasutatav elektrivool peab pingelt ja sageduselt vastama puhuri identifitseerimisplaadil olevatele väärtustele.
- ▶▶▶ 2.2.6. Kasutage ainult nõuetekohase maandusega pikendusjuhtmeid.
- ▶▶▶ 2.2.7. Minimaalsed ohutuskaugused, mida on soovitatud seada kütteseadme ja kergsüttivate ainete vahel: eespoolne väljapääs = 2,5 m (1,5 jalga); külgedel, üleval ja taga = 1,5 m (5 jalga).
- ▶▶▶ 2.2.8. Seadke kuum või töötav soojapuhur kindlale ja siledale pinnale, et vältida tulekahjuohtu.
- ▶▶▶ 2.2.9. Hoidke loomi kütteseadmest ohutult kaugel.
- ▶▶▶ 2.2.10. Kui kütteseadet ei kasutata, siis ühendage see elektrivõrgupistikust välja.
- ▶▶▶ 2.2.11. Termostaadiga juhtimise juhul võib kütteseadme sisse lülitada igal ajal.
- ▶▶▶ 2.2.12. Ärge kunagi kasutage kütteseadet ruumides, kus tihti viibivad inimesed, või magamistubades.
- ▶▶▶ 2.2.13. Ärge kunagi blokeerige õhu sisselaskeava ega kütteseadme õhuväljundit.
- ▶▶▶ 2.2.14. Kui kütteseadme on kuum, elektrivõrguga ühendatud või töötav, ei tohi seda kunagi liigutada, käsitseda, täita uuesti või hooldada.
- ▶▶▶ 2.2.15. Vältige õhuvoolu kanaliseerimist, kui selleks puudub originaalkomplekt (kui on ettenähtud).
- ▶▶▶ 2.2.16. Hoidke kütteseadme kuumadest osadest ohutuskauguses materjalid, mis on kergsüttivad või termotundlikud (kaasa arvatud toitejuhe).
- ▶▶▶ 2.2.17. Kahjustatud toitejuhe tuleb välja vahetada tehnilise abi keskuses, et vältida mis tahes ohte.
- ▶▶▶ 2.2.18. Toimimise ajal kontrollige, et tulekaitsevahendid oleksid kasutusvalmis.

►2.2.19. Kui põleti on asendatud, kasutage originaalvaruosi, järgige hoolikalt sätteid voolukiiruse, pihustitüübide ja pumbarõhu kohta. Põleti võimsuse suurenemine võiks kütteseadet kahjustada.

►►►3. LAHTIPAKIMINE

HOIATUS: PAKENDI MATERJAL EI OLE LASTE MÄNGUASJAD. HOIDKE KILEKOTTI LASTELE KÄTTESAAMATUS KOHAS: ETTEVAATUST, LÄMBUMISOHT!

- 3.1. Eemaldage kõik pakkematerjalid, mida kasutati kütteseadme pakkimiseks ja saatmiseks. Kõrvaldage need vastavalt kehtivatele eeskirjadele.
- 3.2. Kui kütteseadet asetatakse platvormile, laske see ettevaatlikult alla sobivate seadmete ja vahendite abil vastavalt riiklikele eeskirjadele ja kehtivatele eeskirjadele. Seda saab tõstukiga üles tõusta kasutades sobivaid kette ja vedrustuskonksusid (kütteseadet on varustatud silmapultidega).
- 3.3. Kontrollige, kas ei ole tekkinud võimalikke kahjustusi transpordi ajal. Kui kütteseadet on kahjustatud, teavitage koheselt edasimüüjat, kelle juurest antud seade osteti.

►►►4. MONTEERIMINE

(PILT 2)

Need kütteseadmed on varustatud käepidemete, lookade ja tugevdega jms. sõltuvalt mudelist. Seadme osad koos vastavate kinnitusvahenditega asuvad kütteseadme pakendis.

►►►5. KÜTUS

HOIATUS: KÜTTESEADE TÖÖTAB AINULT DIISLI VÕI PETROOLEUMIGA.

Kasutada ainult diisli- või petrooleumikutust, et vältida tule- või plahvatusohtu. Ärge kunagi kasutage bensiini, naftat, värvide lahustit, alkoholi või teisi kergsüttivaid kütuse tüüpe.

Väga madalate temperatuuride korral kasutage mittetoksilisi antifriisi lisandeid.

Soovitame kasutada talvist diislikütust alla 5°C.

►►►6. TÖÖPÕHIMÕTTED

Põletipump tõmbab tankist kütuse ja saadab selle survestatud düüsile, kus see on pihustatud ja segatud põlemiskambri põlemisõhuga. Säde käivitab põlemise ja prügi aurud väljuvad korstnast. Kütteseadet on varustatud anduritega, mis kontrollivad pidevalt seadme töökorda ja lülitavad masina välja anomaaliate korral. Kütteseadme tagumisel küljel paikneva ventilaatori eesmärgiks on jahutada põlemiskambrit ja rootorit, teisaldades nende soojuse keskkonnale.

►►►7. JUHTPANEEL

(PILT 3)

- A. Elektrooniline regulaator.
- B. Tunniarvesti.

C. Käivituslüli.

D. Ventilatsiooni juhtimise nupp.

E. Elektrilise pinge olemasolu märgutuli.

F. Põleti lukustuse hoiatusutuli.

G. Ventilatsiooni lukustuse hoiatusutuli.

H. Ületemperatuuri hoiatusutuli.

I. Ületemperatuuri termostaadi lähtestamine.

L. Põleti konnektor.

M. Sulavkaitse.

N. Ruumitermostaadi konnektori kaugjuhtimine.

►►►8. TOIMIMINE

HOIATUS: ENNEKÜTTESEADMESISSELÜLITAMIST LUGEGE ETTEVAATLIKULT "OHUTUSINFOD"

►►8.1. KÜTTESEADMESISSELÜLITAMINE:

►8.1.1. Järgige kõiki ohutusinstruktsioone.

►8.1.2. Ühendage kütusetorud õigete sisselaske- ja väljundühendustega (PILT 4).

►8.1.3. Kontrollige, et paagis oleks kütus.

►8.1.4. ►Ühendage toitepistik elektrivõrguga (PILT 5) (VAADAKE ELEKTRIPINGE "TEHNILISTE ANDMETE TABEL"-IS).

►8.1.5. Seadke süütelüliti asendisse "LEEK" (C PILT 3). Kütteseadet peaks sisse lülituma mõne sekundiga. Juhul, kui kütteseadet sisse ei lülitu, vt paragrahvist „PROBLEEMIDE TUVASTAMINE“.

►8.1.6. Selle funktsiooni aktiveerimiseks võib kütteseadet kasutada ventilatsioonirežiimis, seadke süütelüliti asendisse "VENTILAATOR" (C PILT 3).

►8.1.7. Kütteseadmel on nupp, mis võimaldab teil juhtida ventilatsiooni (D PILT 3).

-NUPP ON AKTIVEERITUD: Ventilatsioon töötab pidevalt (ideaalne äärmuslikes kasutustingimustes).

-NUPP ON DEAKTIVEERITUD: Ventilatsioon töötab automaatselt (normaalne töörežiim).

►8.1.8. Toatemperatuuri termostaadiga mudelite puhul, kontrollige seadistatud temperatuuri (PILT 6).

MÄRKUS: KUI KÜTTESEADE LÜLITAB ENNAST VÄLJA KÜTUSE LÕPPEMISE TÕTTU, TÄITKE PAAK JA LÜLITAGE UUESTI SISSE (VT PARAGRAHVIST "KÜTTESEADMESISSELÜLITAMINE").

OLULINE: KAUDSETE MUDELITE PÕLETUSTOOTEID SAAB KANALISEERIDA VÄLJAPOOLE TEHKE KANALISATSIOON VASTAVALT ÕIGUSLIKULE REGULATSIOONILE JA JÄRGIGE KÄESOLEVA KÄSIRAAMATU OSAS TOODUD JUHISEID.

►►8.2. KÜTTESEADMESISSELÜLITAMINE:

Asetage käivituslüli asendisse "0" (C PILT 3). Leek lülitub välja ja ventilaator töötab seni, kuni põlemiskamber on täielikult jahutanud. Ärge eemaldage pistikut enne, kui jahutustsüklil on lõppenud.

►►►9. KÜTTESEADMESISSELÜLITAMINE

Kui tavapärasel tööl esineb anomaalia, lülitub kütteseadet välja.

Kütteseadet taasaktiveerimiseks on vaja tuvastada ja kõrvaldada põhjust, mis on ummistuse põhjustanud (nt sisselaskeõhu sisselaskeava ummistus ja /või õhu

sisselaskeava ummistus, ventilaatori seiskamine, kütuse puudumine jne). Kui ei saa kõrvaldada põhjust, mis on ummistuse põhjustanud, siis võtke ühendust abikeskusega.

Kütteseadme lähtestamiseks soovitame teil järgida järgmist menetlust (järgige kõiki ohutusjuhiseid):

- ▶ ÜLETEMPERATUURI TERMOSTAADI LÄHTESTAMINE [Sisselülitatud hoiatustuli (H PILT 3)]: Kütteseadmes on saavutanud maksimaalse töötemperatuuri. Kütteseadme lähtestamiseks eemaldage põhjus, mis on blokeerimise põhjustanud (vajadusel võtke ühendust abikeskusega), eemaldage kaas (PILT 7) keerake kork lahti ja vajutage nuppu täielikult (I PILT 3). Seejärel keerake kork tagasi ja keerake kate tagasi (PILT 8).
- ▶ PÕLETI LÄHTESTAMINE [Sisselülitatud hoiatustuli (F PILT 3) (PILT 9)]: Põletil on olnud anomaalia töö ajal. Kütteseadme lähtestamiseks eemaldage põhjus, mis on blokeerimise põhjustanud (vajadusel võtke ühendust abikeskusega), eemaldage kaas (PILT 7) ja vajutage täielikult nuppu mõneks sekundiks (PILT 10). Seejärel keerake kate tagasi (PILT 8).
- ▶ VENTILATSIOONIMOOTORI LÄHTESTAMINE [Sisselülitatud hoiatustuli (G PILT 3)]: Ventilatsioonimootor on blokeeritud või töötab anomaalsel viisil. Kütteseadme lähtestamiseks asetage käivituslülitid asendisse "0" (C PILT 3), eemaldage põhjus, mis on blokeerimise põhjustanud (vajadusel võtke ühendust abikeskusega), lülitage uuesti kütteseadme sisse.

▶▶▶ 10. ELEKTROONILISE REGULAATORI KONFIGURATSIOON

OLULINE: ELEKTROONILINE REGULAATOR (TOOTJA POOLT JUBA SÄTESTATUD), KUI EI LÄHTESTATA, EI MÕJUTA KÜTTESEADME ÕIGET TOIMIMIST.

Elektrooniline regulaator (A PILT 3), kontrollib kütteseadme ventilatsiooni sisse- ja väljalülitamist eelsoojenduse faasil ja ventilatsioonijärgsel faasil. Sõltuvalt ümbritseva õhu temperatuurist (väga külm ilm või väga kuum ilm, vaata TAB. "ELEKTROONILISE REGULAATORI KONFIGURATSIOON"), võib osutada vajalikuks muuta võrdlusparameetrit.

Konfiguratsiooniprotseduur:

- ▶ 10.1. Tehke kindlaks, et käivituslülitid oleks asendis "0" ja toitepistik oleks elektrivõrguga ühendatud.
- ▶ 10.2. Sisestage digitaalsel termostaadil järgmine võtmejada:
 - Vajutage nuppu "SET".
 - Kuvage "SP2" liikudes klahvidega "▼" / "▲".
 - Vajutage nuppu "SET", et logida sisse.
 - Seadke soovitud temperatuur klahvidega "▼" / "▲".
 - Selle kinnitamiseks vajutage nuppu "SET".

OLULINE: ELEKTROONILISEL REGULAATORIL EI OLE KESKKONNA TERMOSTAATI FUNKTSIOONI.

▶▶▶ 11. FILTRIDE PUHASTAMINE

▶▶ 11.1. IMEMISFILTER, MUDELI JÄRGI: (PILT 11)

Sõltuvalt kasutatud kütuse kvaliteedist võib olla vajalik filtrite puhastamine:

- ▶ 11.1.1. Eemaldage klaas (A).
- ▶ 11.1.2. Eemaldage filter (B) klaasist, püüdes mitte kahjustada tihendeid.
- ▶ 11.1.3. Puhastage filter (B) puhta kütusega, olles ettevaatlik, et mitte kahjustada seda.
- ▶ 11.1.4. Asetage filter (B) klaasi tagasi.
- ▶ 11.1.5. Asetage klaas (A) tagasi, olles ettevaatlik, et tihendid oleksid korralikult paigaldatud.

▶▶ 11.2. KÜTUSEPUMBA FILTER:

Vaadake profülaktilise hoolduse programm.

▶▶▶ 12. HOID JA TRANSPORTIMINE

HOIATUS: ENNE MIS TAHES LIIKUMIST ON VAJA KÜTTESEADET VÄLJA LÜLITADA (VT "KÜTTESEADME VÄLJALÜLITAMINE"), ÜHENDAGE TOITEPLOKK LAHTI PISTIKUT PISTIKUPESAST VÄLJA TÕMMATES (PILT 12) JA OODAKE KÜTTESEADME TÄIELIKKU JAHUTAMIST. KUI KÜTTESEADE HAKKAB LIIGUTAMA, JÄTKE SEE TASASES SEISUKOHAS.

Kütteseadme kõige paremaks säilitamiseks soovitame teil järgida järgmist menetlust (järgige kõiki ohutusjuhiseid):

- ▶ 12.1. Seda saab tõstukiga üles tõusta kasutades sobivaid kette ja vedrustuskonksusid (kütteseadme on varustatud silmapultidega).
- ▶ 12.2. Kütteseadme kõige paremaks säilitamiseks soovitatakse seda hoida kuivas kohas, kaitstuna võimalike vigastuste eest.

▶▶▶ 13. TOATERMOSTAADI ÜHENDAMINE

Eemaldage kütteseadmega ühendatud kork mudelitest, mida saab ühendada toatermostaadiga, ja ühendage toatermostaat (lisavarustus) (PILT 13-14).

▶▶▶ 14. KANALISATSIOONI KASUTAMISJUHISED

(PILT 15)

OLULINE: VÄLTIGE ÕHUVOOLU (NII SISSEPOOLE KUI VÄLJAPOOLE) KANALISEERIMIST, KUI SELLEKS PUUDUB ORIGINAALKOMPLEKT (KUI ON ETENÄHTUD).

Selleks, et vältida kütteseadme töötamise või inimeste vigastamisega seotud probleeme, on vaja pöörata tähelepanu õhukanalite torude paigutusele. Õhuvoolu takistuse vähendamiseks on soovitatav paigaldada kanalisesiooni torusid, vähendades kõverate arvu ja vältides paindumisi ägedate nurkadega. Esimesed paar meetrit peavad olema ilma kõverateta.

HOIATUS: ENNE TEHNOHOOLDUSE VÕI REMONDI TEOSTAMIST ÜHENDAGE TOITEKAABEL ELEKTRIVÕRGUST LAHTI JA TEHKE KINDLAKS, ET KÜTTESEADE OLEKS JAHTUNUD.

► ► ► 15. PROFÜLAKTILISE TEHNOHOOLDUSE PROGRAMM

KOMPONENT	TEHNOHOOLDUSE KORDUVUS	TEHNOHOOLDUSE MENETLUS
Filtrid	Puhastage või vahetage kord aastas või vajaduse korral (kontrollige terviklikkust)	Puhastage filtrid (VT PARAGR. „FILTRIDE PUHASTAMINE“)
Kütusepumba filter	Puhastage või vahetage kord aastas või vajaduse korral (kontrollige terviklikkust)	Pöörduge abikeskuse poole
Elektroodid	Puhastage vajaduse korral	Pöörduge abikeskuse poole
Ventilaator	Puhastage vajaduse korral	Pöörduge abikeskuse poole
Põlemiskamber	Puhastage vajaduse korral	Pöörduge abikeskuse poole

► ► ► 16. PROBLEEMI TUVASTAMINE

PROBLEEM	VÕIMALIK PÕHJUS	VÕIMALIK LAHENDUS
Kütteseade ei käivitu või ei jää aktiivseks	<ol style="list-style-type: none"> Käivituslülitid asendis "0" Puudub elektritoide Toitekaabel on rikkis Elektronika on rikkis või tuleb lähtestada Toatemperatuuri vale reguleerimine (kui see on olemas) Kütuse puudus Võõrkehade olemasolu kütusekontuuris Digitaalse termostaadi seatud temperatuur on liiga kõrge Elektronika blokis 	<ol style="list-style-type: none"> Seadke süütelüliti asendisse "LEEK" (C PILT 3) <ol style="list-style-type: none"> Pange toitejuhe korralikult elektrivõrgu pistikupesasse (PILT 5) Kontrollige oma süsteemi õiget pinget Pöörduge abikeskuse poole Lähtestage kütteseade (VT PARAGR. "KÜTTESEADME LÄHTESTAMINE") <ol style="list-style-type: none"> Pöörduge abikeskuse poole Seadke toatermostaadi temperatuuri üle töökoha temperatuuri (PILT 6) Lisage uuesti kütust ja lähtestage kütteseade vajaduse korral (VT PARAGR. "KÜTTESEADME LÄHTESTAMINE") <ol style="list-style-type: none"> Tühjendage paak ja täitke see puhta kütusega Puhastage filtrid (VT PARAGR. „FILTRIDE PUHASTAMINE“) Pöörduge abikeskuse poole Vähendage digitaalse termostaadi seatud temperatuuri (VT PARAGR. "ELEKTROONILISE REGULAATORI KONFIGURATSIOON") Lähtestage elektronikat (VT PARAGR. "KÜTTESEADME LÄHTESTAMINE")
Töö ajal tekitab kütteseade suitsu	<ol style="list-style-type: none"> Võõrkehade olemasolu kütusekontuuris Õhu sissevooluava on blokeeritud 	<ol style="list-style-type: none"> Tühjendage paak ja täitke see puhta kütusega Puhastage filtrid (VT PARAGR. „FILTRIDE PUHASTAMINE“) Pöörduge abikeskuse poole <ol style="list-style-type: none"> Eemaldage kõik võimalikud õhukanali ummistused
Kütteseade ei lülitu välja	<ol style="list-style-type: none"> Digitaalse termostaadi seatud temperatuur on liiga madal Rikkis elektronika 	<ol style="list-style-type: none"> Suurendage digitaalse termostaadi seatud temperatuuri (VT PARAGR. "ELEKTROONILISE REGULAATORI KONFIGURATSIOON") Pöörduge abikeskuse poole

IMPORTANT: CITIȚI CU ATENȚIE ACEST MANUAL DE UTILIZARE ÎNAINTE DE A EFECTUA OPERAȚIILE DE ASAMBLARE, PUNERE ÎN FUNCȚIUNE ȘI ÎNTREȚINERE A ACESTUI APARAT DE ÎNCĂLZIRE. FOLOSIREA GREȘITĂ A APARATULUI DE ÎNCĂLZIRE POATE DUCE LA RĂNIRI GRAVE SAU FATALE. PĂSTRAȚI ACEST MANUAL CA ȘI MATERIAL DE REFERINȚĂ.

▶▶▶ 1. DESCRIERE

Această serie de aparate pentru încălzirea aerului este indicată în mod deosebit pentru încălzirea încăperilor sau a spațiilor cu dimensiuni medii și mari.

Aparatele cu încălzire indirectă (FIG. 1) datorită unui schimbător intern de căldură, aceste aparate permit separarea gazelor rezultate în urma combustiei de aer cald introdus în ambient. În acest fel este posibilă prezența unui curent de aer cald curat în încăperea care urmează să fie încălzită și direcționarea spre exterior a produselor rezultate în urma combustiei.

Aceste aparate pentru încălzirea aerului au fost proiectate conform celor mai moderne standarde de siguranță, funcționalitate și durată. Dispozitivele de siguranță asigură întotdeauna funcționarea corectă a aparatului de încălzire.

▶▶▶ 2. INFORMAȚII PRIVIND SIGURANȚA AVERTISMENTE



IMPORTANT: Încălzitorul de aer a fost proiectat pentru aplicații profesionale mobile și temporare. Nu a fost proiectat pentru uz casnic și nici pentru confortul termic al persoanelor.



IMPORTANT: Acest aparat nu este adecvat pentru a fi folosit de către persoane (inclusiv copii) cu capacități fizice, senzoriale sau mentale reduse sau de către persoane fără experiență, cu excepția cazului în care sunt supravegheate de către o persoană responsabilă de siguranța lor. Supravegheați copiii pentru a vă asigura că nu se joacă cu aparatul.



PERICOL: Asfixierea cu oxid de carbon poate fi fatală.

Primele simptome ale intoxicației cu oxid de carbon sunt asemănătoare cu cele ale gripei: dureri de cap, amețeli și/sau greață. Aceste simptome pot fi provocate de funcționarea defectuoasă a aparatului. **ÎN CAZUL ÎN CARE SE PREZINTĂ ACESTE SIMPTOME IEȘIȚI IMEDIAT LA AER și apelați serviciul de asistență tehnică pentru reparația aparatului.**

▶▶ 2.1. ALIMENTARE:

- ▶▶2.1.1. Personalul responsabil cu alimentarea aparatului trebuie să fie calificat și să cunoască foarte bine instrucțiunile producătorului și normele în vigoare cu privire la alimentarea în condiții de siguranță a aparatelor de încălzire.
- ▶▶2.1.2. Utilizați numai tipul de combustibil indicat în mod specific pe plăcuța de identificare a aparatului de încălzire.
- ▶▶2.1.3. Înainte de a alimenta aparatul, opriți-l și așteptați să se răcească.
- ▶▶2.1.4. Cisternele de depozitare a combustibilului trebuie păstrate într-o clădire separată.
- ▶▶2.1.5. Toate recipientele cu combustibil trebuie să fie păstrate la distanța minimă de siguranță indicată de normele în vigoare.

▶▶2.1.6. Combustibilul trebuie păstrat în încăperi în care pardoseala nu permite penetrarea și scurgerea acestuia pe flăcări; acest lucru poate provoca aprinderea combustibilului.

▶▶2.1.7. Păstrarea combustibilului trebuie făcută conform normelor în vigoare.

▶▶ 2.2. SIGURANȚĂ:

▶▶2.2.1. Nu utilizați niciodată aparatul de încălzire în încăperi în care se află benzină, solvenți pentru vopsele sau alți vapori puternic inflamabili.

▶▶2.2.2. În timpul utilizării aparatului de încălzire respectați toate legile locale și normele în vigoare.

▶▶2.2.3. Aparatele utilizate în apropierea prelatelor sau al altor materiale folosite pentru acoperire, trebuie amplasate la distanță de siguranță față de acestea. Se recomandă utilizarea materialelor pentru acoperire de tip ignifug.

▶▶2.2.4. Utilizați numai în zone bine aerisite. Pregătiți o deschizătură adecvată, conform normelor în vigoare, pentru a aspira aer proaspăt din exterior.

▶▶2.2.5. Alimentați aparatul de încălzire numai cu curent cu tensiunea și frecvența indicate pe plăcuța de identificare a acestuia.

▶▶2.2.6. Utilizați numai prelungitoare legate la masă în mod adecvat.

▶▶2.2.7. Distanțele minime de siguranță recomandate care trebuie respectate între aparatul de încălzire și substanțele inflamabile sunt: în partea anterioară = 2,5 m; în partea laterală, sus și în spate = 1,5 m.

▶▶2.2.8. Așezați aparatul cald sau în funcțiune, pe o suprafață stabilă și dreaptă, pentru a preveni riscurile de incendiu.

▶▶2.2.9. Țineți animalele la distanță de siguranță față de aparatul de încălzire.

▶▶2.2.10. Deconectați încălzitorul de la rețeaua de alimentare când nu îl folosiți.

▶▶2.2.11. Când este controlat de un termostat, aparatul de încălzire poate porni în orice moment.

▶▶2.2.12. Nu utilizați aparatul de încălzire în încăperi locuite sau în dormitoare.

▶▶2.2.13. Este strict interzisă blocarea prizei de aer sau a gurii de ieșire a aerului a aparatului de încălzire.

▶▶2.2.14. Când aparatul este cald, sau conectat la rețeaua electrică sau este în funcțiune, acesta nu trebuie mutat, manipulat sau supus operațiilor de întreținere.

▶▶2.2.15. Direcționați aerul cald la intrare și/sau ieșire folosind numai kit-uri originale (unde este prevăzut).

▶▶2.2.16. Păstrați materialele inflamabile sau termolabile (inclusiv cablul de alimentare) la o distanță de siguranță față de părțile calde ale aparatului de încălzire.

▶▶2.2.17. În cazul în care cablul de alimentare este deteriorat, acesta trebuie înlocuit de serviciul de asistență tehnică pentru a preveni orice risc.

▶▶2.2.18. În timpul funcționării, asigurați-vă că dispozitivele anti-incendiu sunt pregătite pentru utilizare.

▶▶2.2.19. În caz de înlocuire a arzătorului, utilizați piese de schimb originale, respectați cu strictețe

prevederile privind capacitatea, tipul de duze și presiunea pompei. Creșterea puterii arzătorului ar putea deteriora aparatul de încălzire.

▶▶▶ 3. DEZAMBALAREA

AVERTISMENT: MATERIALUL FOLOSIT PENTRU AMBALARE NU ESTE O JUCĂRIE PENTRU COPII. NU PĂSTRAȚI PUNGA DIN PLASTIC LA ÎNDEMÂNA COPIILOR; PERICOL DE SUFOCARE!

- ▶ 3.1. Înlăturați toate materialele utilizate pentru ambalarea și expedierea aparatului de încălzire. Eliminați aceste materiale conform normelor în vigoare.
- ▶ 3.2. În cazul în care aparatul de încălzire este amplasat pe o platformă, manipulați-l cu delicatețe utilizând dispozitive și instrumente adecvate, conform reglementărilor naționale și normelor în vigoare. Este posibilă ridicarea sa cu ajutorul motostivuitorului, utilizând lanțuri și cârlige de suspendare corespunzătoare (aparatul de încălzire este dotat cu șuruburi cu urechi).
- ▶ 3.3. Verificați imediat dacă aparatul a suferit daune în timpul transportului. În cazul în care aparatul de încălzire pare deteriorat, informați imediat agentul de vânzare de la care a fost cumpărat.

▶▶▶ 4. ASAMBLAREA

(FIG. 2)

Aceste aparate de încălzire sunt dotate cu mânere, suporturi, etc. în funcție de model. Aceste componente și șuruburile pentru montare se află în ambalajul aparatului de încălzire.

▶▶▶ 5. COMBUSTIBIL

AVERTISMENT: APARATUL DE ÎNCĂLZIRE FUNCȚIONEAZĂ NUMAI CU COMBUSTIBIL DIESEL SAU KEROSEN.

Utilizați numai combustibil diesel sau kerosen pentru a evita riscurile de incendiu sau explozie. Nu utilizați niciodată benzină, naftă, solvenți pentru vopsele, alcool sau alți combustibili puternic inflamabili.

Utilizați aditivi antigel netoxici în cazul temperaturilor foarte joase.

Se recomandă folosirea motorinei de iarnă în cazul temperaturilor sub 5°C.

▶▶▶ 6. PRINCIPII DE FUNCȚIONARE

Pompa arzătorului, aspiră combustibilul din rezervor și îl trimite la duza sub presiune unde este pulverizat și amestecat cu aerul de combustie în camera de combustie. O scânteie declanșează combustia în timp ce gazele de ardere sunt expulzate prin coș. O serie de senzori verifică în mod constant funcționarea corectă a aparatului de încălzire și întrerup ciclul în caz de anomalii. Ventilatorul, poziționat în partea posterioară a aparatului de încălzire, are scopul de a răci camera de combustie și recuperatorul de gaze, transferând căldura de la acestea din urmă în mediu.

▶▶▶ 7. PANOU DE CONTROL

(FIG. 3)

- A. Regulator electronic.
- B. Contor ore.
- C. Întrerupător de pornire.
- D. Buton pentru controlul ventilației.
- E. Indicator luminos prezență tensiune electrică.
- F. Indicator luminos de alarmă blocare arzător.

- G. Indicator luminos de alarmă blocare ventilație.
- H. Indicator luminos de alarmă supratemperatură.
- I. Resetare termostat de supratemperatură.
- L. Conector arzător.
- M. Siguranță fuzibilă.
- N. Conector termostat ambient la distanță.

▶▶▶ 8. FUNCȚIONARE

AVERTISMENT: CITIȚI CU ATENȚIE PARAGRAFUL „INFORMAȚII PRIVIND SIGURANȚA”, ÎNAINTE DE A PORNI APARATUL.

- ▶▶▶ 8.1. PORNIREA APARATULUI DE ÎNCĂLZIRE:
 - ▶ 8.1.1. Respectați toate instrucțiunile cu privire la siguranță.
 - ▶ 8.1.2. Conectați tuburile de combustibil respectând conexiunile corecte de intrare și de ieșire (FIG. 4).
 - ▶ 8.1.3. Controlați prezența combustibilului în rezervor.
 - ▶ 8.1.4. Conectați ștecherul de alimentare la rețeaua electrică (FIG. 5) (VEZI VALOAREA TENSIUNII ÎN „TABELUL CU DATE TEHNICE”).
 - ▶ 8.1.5. Duceți întrerupătorul de pornire în poziție „FLACĂRĂ” (C FIG. 3). Aparatul de încălzire ar trebui să pornească în câteva secunde. În cazul în care aparatul de încălzire nu pornește, consultați paragraful „IDENTIFICAREA PROBLEMEI”.
 - ▶ 8.1.6. Aparatul de încălzire poate fi utilizat în modalitatea ventilare; pentru a activa această funcție, poziționați întrerupătorul de pornire în poziția „VENTILATOR” (C FIG. 3).
 - ▶ 8.1.7. Aparatul de încălzire dispune de un buton care permite controlarea ventilației (D FIG. 3).
 - BUTON ACTIV: Ventilația funcționează în continuu (ideal pentru condiții de utilizare extreme).
 - BUTON INACTIV: Ventilația funcționează automat (funcționare normală).
 - ▶ 8.1.8. În cazul modelelor cu termostat ambient, verificați temperatura setată (FIG. 6).
- NOTĂ: ÎN CAZUL OPRIRII APARATULUI DE ÎNCĂLZIRE DATORITĂ TERMINĂRII COMBUSTIBILULUI, ALIMENTAȚI REZERVORUL ȘI RESETAȚI APARATUL DE ÎNCĂLZIRE (VEZI PARAG. „RESETAREA APARATULUI DE ÎNCĂLZIRE”).
- IMPORTANT: ÎN CAZUL MODELELOR CU ÎNCĂLZIRE INDIRECTĂ, PRODUSELE REZULTATE ÎN URMA COMBUSTIEI POT FI DIRECȚIONATE SPRE EXTERIOR. REALIZAȚI SISTEMUL DE DIRECȚIONARE CONFORM PREVEDERILOR NORMELOR ÎN VIGOARE ȘI RESPECTAȚI INDICAȚIILE DIN SECȚIUNEA CORESPUNZĂTOARE A MANUALULUI.
- ▶▶▶ 8.2. OPRIREA APARATULUI DE ÎNCĂLZIRE:
 - Duceți întrerupătorul de pornire în poziție „0” (C FIG. 3). Flacăra se stinge, iar ventilatorul continuă să funcționeze până la răcirea completă a camerei de combustie. Nu scoateți ștecherul din priză până la încheierea ciclului de răcire.

▶▶▶ 9. RESETAREA APARATULUI DE ÎNCĂLZIRE

În cazul în care apare o anomalie în timpul funcționării normale, acesta se oprește.

Înainte de a repune în funcțiune aparatul, trebuie să identificați și să eliminați cauza care a dus la apariția blocajului (de exemplu înfundarea prizei de aer de la intrare și/sau cea de trimitere a aerului, oprirea ventilatorului, lipsa combustibilului, etc.). În cazul în care nu reușiți să eliminați problema care a dus la apariția blocajului, apălați la centrul

de asistență tehnică.

Pentru resetarea încălzitorului se recomandă respectarea următoarei proceduri (respectați toate instrucțiunile cu privire la siguranță):

- ▶ **RESETARE TERMOSTAT DE SUPRATERMPERATURĂ** [Indicator luminos aprins (H FIG. 3)]: Aparatul de încălzire a atins temperatura maximă de funcționare. Pentru a reseta aparatul de încălzire eliminați cauza care a provocat blocarea (eventual adresați-vă centrului de asistență tehnică), înlăturați acoperitoarea (FIG. 7), desfaceți capacul și apăsați până la capăt butonul (I FIG. 3). Apoi strângeți la loc capacul și așezați la loc acoperitoarea (FIG. 8).
- ▶ **RESETAREA ARZĂTORULUI** [Indicator luminos aprins (F FIG. 3) (FIG. 9)]: Arzătorul a suferit o anomalie de funcționare. Pentru a reseta arzătorul, eliminați cauza care a provocat blocarea (eventual adresați-vă centrului de asistență tehnică), înlăturați acoperitoarea (FIG. 7) și apăsați până la capăt timp de câteva secunde butonul (FIG. 10). Apoi așezați la loc acoperitoarea (FIG. 8).
- ▶ **RESETAREA MOTORULUI VENTILAȚIEI** [Indicator luminos aprins (G FIG. 3)]: Motorul ventilației este blocat sau funcționează în mod anormal. Pentru resetarea aparatului de încălzire, duceți întrerupătorul de pornire în poziție „0” (C FIG. 3), eliminați cauza care a provocat blocarea (eventual adresați-vă centrului de asistență) și reporniți aparatul de încălzire.

▶▶▶ 10. CONFIGURAREA REGULADORULUI ELECTRONIC

IMPORTANT: REGULADORUL ELECTRONIC (SETAT DEJA DE PRODUCĂTOR), DACĂ NU ESTE RESETAT, NU AFECTEAZĂ FUNCȚIONAREA CORECTĂ A APARATULUI DE ÎNCĂLZIRE.

Regulatorul electronic (A FIG. 3), controlează pornirea și oprirea ventilației în faza de pre-încălzire și de post-ventilare a aparatului de încălzire.

În funcție de temperatura mediului (climă foarte rece sau climă foarte caldă, VEZI TAB. „CONFIGURAREA REGULADORULUI ELECTRONIC”), poate fi necesară modificarea parametrului de referință.

Procedura de configurare:

- ▶ 10.1. Asigurați-vă că întrerupătorul de pornire se află în poziția „0” și că ștecherul de alimentare este conectat la rețeaua electrică.
- ▶ 10.2. Apăsați următoarea secvență de taste:
 - Apăsați tasta „SET” [SETARE].
 - Vizualizați „SP2” navigând cu tastele „▼” / „▲”.
 - Apăsați tasta „SET” [SETARE] pentru a intra.
 - Setați temperatura dorită cu ajutorul tastelor „▼” / „▲”.
 - Apăsați tasta „SET” [SETARE] pentru a confirma.

IMPORTANT: REGULADORUL ELECTRONIC NU POATE FI FOLOSIT CA TERMOSTAT AMBIENTAL.

▶▶▶ 11. CURĂȚAREA FILTRELOR

▶▶▶ 11.1. FILTRU DE ASPIRAȚIE, ÎN FUNCȚIE DE MODEL:
(FIG. 11)

În funcție de calitatea combustibilului utilizat poate fi necesară curățarea filtrelor:

- ▶ 11.1.1. Înlăturați cupa (A).
- ▶ 11.1.2. Scoateți filtrul (B) din cupă și acordați atenție să nu deteriorați garniturile.
- ▶ 11.1.3. Curățați filtrul (B) cu combustibil curat și acordați atenție să nu îl deteriorați.
- ▶ 11.1.4. Montați filtrul (B) în cupă.

- ▶ 11.1.5. Montați la loc cupa (A) și acordați atenție să montați corect garniturile.

▶▶▶ 11.2. FILTRU POMPĂ COMBUSTIBIL:

Vezi programul de întreținere preventivă.

▶▶▶ 12. PĂSTRARE ȘI TRANSPORT

AVERTISMENT: ÎNAINTE DE A MUTA APARATUL DE ÎNCĂLZIRE ACESTA TREBUIE OPRIT (VEZI PARAG. „OPRIREA APARATULUI DE ÎNCĂLZIRE”), ÎNTRERUPEȚI ALIMENTAREA CU ENERGIE ELECTRICĂ: SCOATEȚI ȘTECHERUL DIN PRIZĂ (FIG. 12) ȘI AȘTEPTAȚI RĂCIREA COMPLETĂ A APARATULUI DE ÎNCĂLZIRE. ATUNCI CÂND SE MANIPULEAZĂ APARATUL DE ÎNCĂLZIRE, MENȚINEȚI-L ÎN POZIȚIE ORIZONTALĂ.

Pentru păstrarea corectă a încălzitorului se recomandă respectarea următoarei proceduri (respectați toate instrucțiunile cu privire la siguranță):

- ▶ 12.1. Este posibilă ridicarea sa cu ajutorul motostivitorului, utilizând lanțuri și cârlige de suspendare corespunzătoare (aparatul de încălzire este dotat cu șuruburi cu urechi).
- ▶ 12.2. Pentru păstrarea corectă a încălzitorului se recomandă depozitarea acestuia la loc uscat, ferit de surse de deteriorare.

▶▶▶ 13. CONECTAREA TERMOSTATULUI AMBIENT

În cazul modelelor predispușe pentru conectarea termostatalui ambient, înlăturați capacul aplicat pe aparatul de încălzire și conectați termostatalui ambient (opțional) (FIG. 13-14).

▶▶▶ 14. RECOMANDĂRI PRIVIND DIRECȚIONAREA (FIG. 15)

IMPORTANT: DIRECȚIONAȚI AERUL CALD LA INTRARE ȘI/SAU IEȘIRE FOLOSIND NUMAI KIT-URI ORIGINALE (UNDE ESTE PREVĂZUT).

Pentru a evita probleme de funcționare ale aparatului de încălzire sau daune persoanelor trebuie acordată atenție dispunerii tuburilor de direcționare a aerului. Pentru a reduce rezistențele fluxului de aer, se recomandă poziționarea tuburilor de direcționare reducând numărul de curbe și evitând pliuri cu unghiuri ascuțite. Primii metri nu trebuie să aibă curbe.

AVERTISMENT: ÎNAINTE DE A EFECTUA ORICE OPERAȚIE DE ÎNTREȚINERE SAU REPARAȚIE, DECONECTAȚI CABLUL DE ALIMENTARE DE LA REȚEAUA ELECTRICĂ ȘI ASIGURAȚI-VĂ CA APARATUL DE ÎNCĂLZIRE SĂ FIE RECE.

► ► ► 15. PROGRAM DE ÎNTREȚINERE PREVENTIVĂ

COMPONENTĂ	FRECVENȚA OPERAȚIILOR DE ÎNTREȚINERE	PROCEDURA DE ÎNTREȚINERE
Filtre	Curățați sau înlocuiți o dată pe an sau în funcție de necesități verificați integritatea acestuia)	Curățați filtrele (VEZI PARAG. „CURĂȚAREA FILTRELOR„)
Filtru pompă combustibil	Curățați sau înlocuiți o dată pe an sau în funcție de necesități verificați integritatea acestuia)	Adresați-vă centrului de asistență tehnică
Electrozi	Curățați în funcție de necesități	Adresați-vă centrului de asistență tehnică
Ventilator	Curățați în funcție de necesități	Adresați-vă centrului de asistență tehnică
Camera de combustie	Curățați în funcție de necesități	Adresați-vă centrului de asistență tehnică

► ► ► 16. IDENTIFICAREA PROBLEMELOR

PROBLEMĂ	CAUZA POSIBILĂ	SOLUȚIA POSIBILĂ
Aparatul de încălzire nu pornește sau nu rămâne pornit	<ol style="list-style-type: none"> Întreprătorul de pornire este în poziție „0” Lipsă alimentare Cablu de alimentare întrerupt Ansamblu electronic de resetat sau defect Setare eronată a termostatului ambient (dacă este prevăzut) Lipsă combustibil Există substanțe străine în circuitul de combustibil Temperatura setată pe termostatul digital este prea mare Ansamblu electronic blocat 	<ol style="list-style-type: none"> Duceți întreprătorul de pornire în poziție „FLACĂRĂ” (C FIG. 3) Introduceți corect cablul de alimentare în priza electrică (FIG. 5) Verificați tensiunea corectă a instalației dvs. Adresați-vă centrului de asistență tehnică Resetați aparatul de încălzire (VEZI PARAG. „RESETAREA APARATULUI DE ÎNCĂLZIRE”) Adresați-vă centrului de asistență tehnică Acționați asupra termostatului ambient: setați-l la o temperatură mai mare decât cea a mediului de lucru (FIG. 6) Alimentați cu combustibil și resetați aparatul de încălzire dacă este nevoie (VEZI PARAG. „RESETAREA APARATULUI DE ÎNCĂLZIRE”) Goliți și umpleți rezervorul cu combustibil curat Curățați filtrele (VEZI PARAG. „CURĂȚAREA FILTRELOR„) Adresați-vă centrului de asistență tehnică Reduceți temperatura setată a termostatului digital (VEZI PARAG. „CONFIGURAREA REGULATORULUI ELECTRONIC”) Resetați ansamblul electronic (VEZI PARAG. „RESETAREA APARATULUI DE ÎNCĂLZIRE”)
Aparatul de încălzire produce fum în timpul funcționării	<ol style="list-style-type: none"> Există substanțe străine în circuitul de combustibil Blocarea prizei de aer aflate la intrare 	<ol style="list-style-type: none"> Goliți și umpleți rezervorul cu combustibil curat Curățați filtrele (VEZI PARAG. „CURĂȚAREA FILTRELOR„) Adresați-vă centrului de asistență tehnică Înlăturați toate blocajele prizei de aer
Aparatul de încălzire nu se oprește	<ol style="list-style-type: none"> Temperatura setată pe termostatul digital este prea mică Ansamblu electronic defect 	<ol style="list-style-type: none"> Creșteți temperatura setată a termostatului digital (VEZI PARAG. „CONFIGURAREA REGULATORULUI ELECTRONIC”) Adresați-vă centrului de asistență tehnică

DÔLEŽITÉ: PREČÍTAJTE SI A POCHOPTE TENTO NÁVOD PREDTÝM, NEŽ PRISTÚPITE K MONTÁŽI, UVEDENIU DO PREVÁDZKY ALEBO ÚDRŽBE TOHTO OHRIEVAČA. NESPRÁVNE POUŽITIE OHRIEVAČA MÔŽE MAŤ ZA NÁSLEDOK VÁŽNE ZRANENIE ALEBO SMRŤ. UCHOVAJTE TENTO NÁVOD PRE BUDÚCE POUŽITIE.


►►► 1. POPIS


Táto séria teplovzdušných ohrievačov je vhodná najmä pre vykurovanie stredne veľkých alebo veľkých miestností alebo priestorov.

Ohrievače s nepriamym vykurovaním (OBR. 1) vďaka vnútornému výmenníku tepla umožňujú oddeliť spaliny od teplého vzduchu, ktorý sa uvoľňuje do okolitého prostredia. Týmto spôsobom je možné privádzať prúd čistého teplého vzduchu do miestnosti určenej na vykurovanie a odvádzať spaliny do vonkajšieho prostredia.

Tieto teplovzdušné ohrievače boli navrhnuté v súlade s najmodernejšími štandardmi bezpečnosti, funkčnosti a prevádzkovej životnosti. Bezpečnostné zariadenia vždy zaisťujú správnu prevádzku ohrievača.

►►► 2. INFORMÁCIE O BEZPEČNOSTI UPOZORNENIE

 **DÔLEŽITÉ:** Ohrievač vzduchu bol navrhnutý pre mobilné a dočasné profesionálne použitie. Nebol navrhnutý pre domáce použitie ani pre tepelný komfort osôb.

 **DÔLEŽITÉ:** Tento spotrebič nie je určený na používanie osobami (vrátane detí) so zníženými fyzickými, zmyslovými alebo duševnými schopnosťami, alebo neskusenými osobami, pokiaľ nie sú pod dohľadom osoby zodpovednej za ich bezpečnosť. Deti musia byť pod dozorom, aby sa zaistilo, že sa nebudú s prístrojom hrať.

 **NEBEZPEČENSTVO:** Udusenie oxidom uhoľnatým môže byť fatálne.

Prvé príznaky dusenia kyslíčnikom uhoľnatým sa podobajú chrípke, s bolesťami hlavy, závratmi a/alebo nevoľnosťou. Tieto príznaky môžu byť spôsobené nesprávnym fungovaním ohrievača. V PRÍPADE VÝSKYTU TÝCHTO PRÍZNAKOV OKAMŽITE VYJDITE VON Z MIESTNOSTI a nechajte opraviť prístroj v technickom servisnom stredisku.

►► 2.1. PLNENIE:

- 2.1.1. Pracovníci zodpovední za čerpanie pohonných hmôt musia byť kvalifikovaní a plne oboznámení s pokynmi výrobcu a platnými predpismi, ktoré sa vzťahujú k bezpečnosti zásobovania vykurovacích telies.
- 2.1.2. Používajte iba typ paliva výslovne uvedený na typovom štítku ohrievača.
- 2.1.3. Pred dopĺňaním paliva vypnite ohrievač a nechajte ho vychladnúť.
- 2.1.4. Nádrže na skladovanie paliva musia byť umiestnené v samostatnom objekte.

- 2.1.5. Všetky palivové nádrže musia byť v minimálnej bezpečnej vzdialenosti od ohrievača, v súlade s platnými normami.
- 2.1.6. Palivo musí byť skladované v miestnostiach, ktorých podlaha neumožňuje prienik a musí byť zamedzené kvapkaniu paliva na plamene, ktoré môžu spôsobiť jeho vznietenie.
- 2.1.7. Skladovanie paliva musí byť vykonané v súlade s miestnymi predpismi.
- **2.2. BEZPEČNOSŤ:**
 - 2.2.1. Nikdy nepoužívajte ohrievač v miestnosti, v ktorej sa vyskytuje benzín, riedidlá alebo iné vysoko horľavé výpary.
 - 2.2.2. Počas používania ohrievača dodržiavajte všetky miestne predpisy a platné normy.
 - 2.2.3. Ohrievače používané v blízkosti plachiet, stanov a iných podobných krycích materiálov musia byť umiestnené v bezpečnej vzdialenosti od nich. Odporúča sa na prikrývanie používať ohňovzdorné materiály.
 - 2.2.4. Používajte iba v dobre vetraných priestoroch. Postarajte sa o zabezpečenie adekvátneho otvoru, v súlade s predpismi, pre prívod čerstvého vzduchu z vonkajšieho prostredia.
 - 2.2.5. Napájajte ohrievač iba prúdom s napätím a frekvenciou, ako je uvedené na typovom štítku.
 - 2.2.6. Používajte iba riadne uzemnené predlžovacie šnúry.
 - 2.2.7. Odporúčané minimálne bezpečnostné vzdialenosti medzi ohrievačom a horľavými materiálmi sú: predný výstup = 2,5 m; bočný, horný a zadný = 1,5 m.
 - 2.2.8. Umiestnite teplý ohrievač, alebo ohrievač v prevádzke na pevný a rovný povrch, aby sa zabránilo nebezpečenstvu vzniku požiaru.
 - 2.2.9. Udržujte domáce zvieratá v bezpečnej vzdialenosti od ohrievača.
 - 2.2.10. Keď ohrievač nepoužívate, odpojte ho od elektrickej siete.
 - 2.2.11. Ak je ohrievač riadený termostatom, môže sa kedykoľvek zapnúť.
 - 2.2.12. Nikdy nepoužívajte ohrievač v často obývaných miestnostiach, ani v spálňach.
 - 2.2.13. Nikdy neblokujte nasávací otvor vzduchu alebo odvádzací otvor vzduchu ohrievača.
 - 2.2.14. Keď je ohrievač teplý, zapojený do elektrickej siete alebo v prevádzke, nesmie sa nikdy premiestňovať, manipulovať, dopĺňovať palivom alebo vykonávať na ňom akékoľvek údržbárske zásahy.
 - 2.2.15. Vyhnite sa použitiu potrubí na prívod/odvod vzduchu s výnimkou originálnych súprav (tam, kde sa predpokladajú).
 - 2.2.16. Dodržujte bezpečnú vzdialenosť teplých častí ohrievača od horľavých alebo tepelne nestálych materiálov (vrátane napájacieho kábla).

- ▶ **2.2.17. Ak je napájací kábel poškodený, musí byť vymenený servisnou technickou službou, aby sa predišlo akémukoľvek riziku.**
- ▶ **2.2.18. Počas prevádzky sa uistite, že protipožiarne zariadenia sú pripravené na použitie.**
- ▶ **2.2.19. Pri výmene horáka používajte originálne náhradné diely, úzkostlivo dodržujte ustanovenia o prietoku, typu trysiek a tlaku čerpadla. Zvýšenie výkonu horáka môže poškodiť ohrievač.**

▶ ▶ ▶ **3. ROZBALENIE**

UPOZORNENIE: OBALOVÝ MATERIÁL NIE JE HRAČKA PRE DETI. PLASTOVÉ VRECKÁ UDRŽIAVAJTE MIMO DOSAH DETÍ, RIZIKO UDUSENIA.

- ▶ 3.1. Odstráňte všetky obalové materiály použité pre balenie a expedíciu ohrievača. Likvidujte v súlade s platnými predpismi.
- ▶ 3.2. Ak je ohrievač umiestnený na plošine, opatrne ho spúšťajte pomocou vhodných zariadení a prostriedkov a v súlade s platnými národnými predpismi. Je možné ho zdvihnúť pomocou vysokozdvížneho vozíka a vhodných reťazí a závesných hákov (ohrievač je vybavený skrutkami s okami).
- ▶ 3.3. Skontrolujte prípadné škody, ktoré vznikli v priebehu prepravy. Ak sa vám zdá ohrievač poškodený, okamžite informujte predajcu, u ktorého bol zakúpený.

▶ ▶ ▶ **4. MONTÁŽ**

(OBR. 2)

Tieto ohrievače sú vybavené držadlami, držiakmi, podperami atď. v závislosti od modelu. Tieto komponenty, spolu s príslušnými skrutkami, sa nachádzajú v balení s ohrievačom.

▶ ▶ ▶ **5. PALIVO**

UPOZORNENIE: OHRIEVAČ PRACUJE IBA S NAFTOU ALEBO PETROLEJOM.

Používajte iba naftu alebo petrolej, aby sa zabránilo nebezpečenstvu vzniku požiaru alebo výbuchu. Nikdy nepoužívajte benzín, surovú naftu (ropu), riedidlá na farby, alkohol a iné palivové vysoko horľavé látky.

V prípade použitia v podmienkach s nízkou teplotou používajte netoxické prídavky proti zamrznutiu.

Odporúča sa použiť zimnú naftu pri teplotách pod 5°C.

▶ ▶ ▶ **6. PRINCÍPY FUNGOVANIA**

Čerpadlo horáka nasáva palivo z nádrže a odošle ho do trysky pod tlakom, kde sa rozprašuje a mieša so spaľovacím vzduchom v spaľovacej komore. Iskra spúšťa spaľovanie, zatiaľ čo odpadové plyny sú vylúčené z komína. Rad senzorov neustále kontroluje správnu funkciu ohrievača zastavením cyklu v prípade anomálií. Ventilátor, ktorý je umiestnený v zadnej časti ohrievača, má za úlohu ochladzovanie spaľovacej komory a obeh spalín prenosom ich tepla do okolitého prostredia.

▶ ▶ ▶ **7. OVLÁDACÍ PANEL**

(OBR. 3)

- A. Elektronický regulátor.
- B. Počítadlo hodín.
- C. Vypínač zapaľovania.
- D. Tlačidlo na kontrolu ventilácie.
- E. Kontrolka prítomnosti elektrického napätia.
- F. Kontrolka alarmu zablokovania horáka.
- G. Kontrolka alarmu zablokovania ventilácie.
- H. Kontrolka alarmu prehriatia.
- I. Reset termostatu prehriatia.
- L. Konektor horáka.
- M. Poistka.
- N. Konektor diaľkového izbového termostatu.

▶ ▶ ▶ **8. PREVÁDZKA**

UPOZORNENIE: PRED ZAPNUTÍM OHRIEVAČA SI POZORNE PREČÍTAJTE „INFORMÁCIE O BEZPEČNOSTI“.

▶ ▶ 8.1. ZAPNUTIE OHRIEVAČA:

- ▶ 8.1.1. Dodržujte všetky bezpečnostné pokyny.
- ▶ 8.1.2. Pripojte palivové potrubie s ohľadom na správne vstupné a výstupné spojenie (OBR. 4).
- ▶ 8.1.3. Skontrolujte prítomnosť paliva v nádrži.
- ▶ 8.1.4. Pripojte napájací kábel k elektrickej sieti (OBR. 5) (VIĎ NAPÄTIE V „TABUĽKE S TECHNICKÝMI ÚDAJMI“).
- ▶ 8.1.5. Umiestnite vypínač zapnutia do polohy „PLAMEŇ“ (C OBR. 3). Ohrievač by sa mal zapnúť behom niekoľkých sekúnd. Ak sa ohrievač nespustí, prečítajte si odstavec pre nájdenie problému „VYHLÁDANIE PROBLÉMU“.
- ▶ 8.1.6. Ohrievač môže byť použitý v režime ventilácie, k aktivácii tejto funkcie umiestnite vypínač zapnutia do polohy „VENTILÁTOR“ (C OBR. 3).
- ▶ 8.1.7. Ohrievač má tlačidlo, ktoré umožňuje ovládať ventiláciu (D OBR. 3).
 - TLAČIDLO AKTÍVNE: Ventilácia pracuje nepretržite (ideálne pre extrémne podmienky použitia).
 - TLAČIDLO NEAKTÍVNE: Ventilácia pracuje automaticky (normálna prevádzka).
- ▶ 8.1.8. U modelov s izbovým termostatom skontrolujte nastavenú teplotu (OBR. 6).

POZNÁMKA: V PRÍPADE VYPNUTIA OHRIEVAČA V DÔSLEDKU VYČERPANIA PALIVA DOPLŇTE PALIVO A RESETUJTE OHRIEVAČ (VIĎ ODSŤ. „RESET OHRIEVAČA“).

DÔLEŽITÉ: U MODELOV S NEPRIAMYM VYKUROVANÍM JE MOŽNÉ ODVÁDZAŤ SPALINY DO VONKAJŠIEHO PROSTREDIA. ZAPOJTE POTRUBIE PODĽA PLATNÝCH PREDPISOV A S REŠPEKTOVANÍM POKYNOV UVEDENÝCH V PRÍSLUŠNEJ ČASTI TOHTO NÁVODU.

▶ ▶ 8.2. VYPNUTIE OHRIEVAČA:

Umiestnite vypínač zapaľovania do polohy „0“ (C OBR. 3). Plameň zhasne a ventilátor beží až do úplného ochladenia spaľovacej komory. Neodpájajte elektrickú zástrčku až do úplného dokončenia chladiaceho cyklu.

►►► 9. RESET OHRIEVAČA

V prípade výskytu anomálie počas normálnej prevádzky sa ohrievač vypne.

Pre opätovné uvedenie ohrievača do prevádzky je nutné nájsť a odstrániť príčinu, ktorá generovala zablokovanie (napr. obštrukcia prúdenia vzduchu na prívoде a/alebo odvodu, zastavenie ventilátora, chýbajúce palivo, atď.). Ak nie ste schopní vyriešiť problém, ktorý spôsobil zablokovanie, kontaktujte servisné stredisko. Ak chcete resetovať ohrievač, odporúčame postupovať podľa nasledujúcich pokynov (postupujte podľa všetkých bezpečnostných pokynov):

- RESET TERMOSTATU PREHRIATIA [Kontrolka rozsvietená (H OBR. 3)]: Ohrievač dosiahol maximálnu prevádzkovú teplotu. Ak chcete resetovať ohrievač, odstráňte príčinu, ktorá spôsobila zablokovanie (prípadne sa obráťte na servisné stredisko), odstráňte kryt (OBR. 7), odstráňte uzáver a úplne stlačte tlačidlo (I OBR. 3). Potom znova naskrutkujte uzáver a znova nasadte kryt (OBR. 8).
- RESET HORÁKA [Kontrolka rozsvietená (F OBR. 3) (OBR. 9)]: Horák vykazuje prevádzkovú anomáliu. Ak chcete resetovať horák, odstráňte príčinu, ktorá spôsobila zablokovanie (prípadne sa obráťte na servisné stredisko), odstráňte kryt (OBR. 7) a niekoľko sekúnd stlačte tlačidlo (OBR. 10). Potom znova nasadte kryt (OBR. 8).
- RESET MOTORA VENTILÁCIE [Kontrolka rozsvietená (G OBR. 3)]: Motor ventilácie je zablokovaný alebo funguje abnormálne. Ak chcete resetovať ohrievač, otočte vypínač zapalovania do polohy „0“ (C OBR. 3), odstráňte príčinu, ktorá spôsobila zablokovanie (prípadne sa obráťte na servisné stredisko) a znova zapnite ohrievač.

►►► 10. NASTAVENIE ELEKTRONICKÉHO REGULÁTORA

DÔLEŽITÉ: AK SA ELEKTRONICKÝ REGULÁTOR (UŽ NASTAVENÝ VÝROBCOM) ZNOVU NENASTAVÍ, NEMÁ TO VPLYV NA SPRÁVNU PREVÁDZKU OHRIEVAČA.

Elektronický regulátor (A OBR. 3) kontroluje zapínanie a vypínanie ventilácie vo fáze predohrevu a po ventilácii ohrievača.

Na základe teploty prostredia (veľmi studená alebo veľmi teplá klíma (POZRI TAB. „NASTAVENIE ELEKTRONICKÉHO REGULÁTORA“) sa môže stať, že bude potrebné zmeniť referenčný parameter.

Postup nastavenia:

- 10.1. Uistite sa, že vypínač zapalovania je v polohe „0“ a sieťová zástrčka je pripojená k elektrickej sieti.
- 10.2. Vykonajte nasledujúci postup pomocou tlačidiel:
 - Stlačte tlačidlo „SET“.
 - Zobrazte „SP2“ pomocou tlačidiel „▼“ / „▲“.
 - Stlačte tlačidlo „SET“ pre prístup.
 - Nastavte požadovanú teplotu pomocou tlačidiel „▼“ / „▲“.
 - Stlačte tlačidlo „SET“ pre potvrdenie.

DÔLEŽITÉ: ELEKTRONICKÝ REGULÁTOR NEFUNGUJE AKO TERMOSTAT PROSTREDIA.

►►► 11. ČISTENIE FILTROV

►► 11.1. SACÍ FILTER PODĽA MODELU: (OBR. 11)

V závislosti na kvalite použitého paliva môže byť potrebné filtre vyčistiť:

- 11.1.1. Odstráňte banku (A).
- 11.1.2. Vyberte filter (B) z banky, dávajte pozor na uchovanie tesnenia.
- 11.1.3. Vyčistite filter (B) s čistým palivom, dávajte pozor, aby ste ho nepoškodili.
- 11.1.4. Znovu namontujte filter (B) do banky.
- 11.1.5. Znovu namontujte banku (A) a dávajte pozor na správne umiestnenie tesnení.

►► 11.2. FILTER PALIVOVÉHO ČERPADLA:

Vid' program preventívnej údržby.

►►► 12. SKLADOVANIE A PREPRAVA

UPOZORNENIE: PRED AKÝMKOL'VEK PREMIESTNENÍM JE POTREBNÉ OHRIEVAČ VYPNÚŤ (VIĎ ODSŤ. „VYPNUTIE OHRIEVAČA“), ODPOJTE ELEKTRICKÉ NAPÁJANIE VYTIAHNUŤ ZÁSTRČKY Z ELEKTRICKEJ ZÁSUVKY (OBR. 12) A POČKAJTE NA ÚPLNÍ VYCHLADNUTIE OHRIEVAČA. MANIPULUJTE S OHRIEVAČOM VŽDY VO VODOROVNEJ POLOHE.

Ak chcete čo najlepšie uchovávať ohrievač, odporúčame postupovať podľa nasledujúcich pokynov (postupujte podľa všetkých bezpečnostných pokynov):

- 12.1. Je možné ho zdvihnúť pomocou vysokozdvížneho vozíka a vhodných reťazí a závesných hákov (ohrievač je vybavený skrutkami s okami).
- 12.2. Pre čo najlepšie uchovanie ohrievača sa odporúča uložiť ho na suchom mieste, chránenom pred poškodením.

►►► 13. PRIPOJENIE IZBOVÉHO TERMOSTATU

U modelov vybavených pripojením izbového termostatu odstráňte uzáver na ohrievači a pripojte izbový termostat (voliteľné príslušenstvo) (OBR. 13-14).

►►► 14. INDIKÁCIE PRE POTRUBIE

(OBR. 15)

DÔLEŽITÉ: VYHNITE SA POUŽITIU POTRUBÍ NA PRÍVOD/ODVOD VZDUCHU S VÝNIMKOU ORIGINÁLNYCH SÚPRAV (TAM, KDE SA PREDPOKLADAJÚ).

Aby nedošlo k problémom s prevádzkou ohrievača alebo poškodením osôb, je potrebné venovať pozornosť usporiadaniu vzduchového potrubia. Pre zníženie odporu prúdenia vzduchu odporúčame umiestniť potrubie tak, aby sa znížil počet kriviek a zabránilo sa ohybom s ostrými uhlami. Prvé metre musí byť bez zakrivenia.

UPOZORNENIE: PRED VYKONANÍM AKEJKOL'VEK ÚDRŽBY ALEBO OPRAVY ODPOJTE NAPÁJACÍ KÁBEL Z ELEKTRICKEJ SIETE A UBEZPEČTE SA, ŽE OHRIEVAČ JE STUDENÝ.

►►► 15. PROGRAM PREVENTÍVNEJ ÚDRŽBY

KOMPONENT	FREKVENCIA ÚDRŽBY	POSTUP ÚDRŽBY
Filtre	Vyčistite alebo vymeňte raz za rok alebo podľa potreby (kontrola integrity)	Vyčistite filtre (VIĎ ODSŤ. „ČISTENIE FILTROV“)
Filter palivového čerpadla	Vyčistite alebo vymeňte raz za rok alebo podľa potreby (kontrola integrity)	Obráťte sa na technické servisné stredisko
Elektródy	Vyčistite podľa potreby	Obráťte sa na technické servisné stredisko
Ventilátor	Vyčistite podľa potreby	Obráťte sa na technické servisné stredisko
Spaľovacia komora	Vyčistite podľa potreby	Obráťte sa na technické servisné stredisko

►►► 16. VYHLADANIE PROBLÉMU

PROBLÉM	MOŽNÁ PRÍČINA	MOŽNÉ RIEŠENIE
Ohrievač sa nespustí alebo nezostane zapnutý	<ol style="list-style-type: none"> Vypínač zapaľovania je v polohe „0“ Chýba napájanie Napájací kábel prerušený Elektronika k resetovaniu alebo chybná Nesprávne nastavenie izbového termostatu (pokiaľ existuje) Nedostatok paliva Prítomnosť cudzích telies v palivovom okruhu Teplota nastavená na digitálnom termostate je príliš vysoká Elektronika zablokovaná 	<ol style="list-style-type: none"> Umiestnite vypínač zapaľovania do polohy „PLAMENŇ“ (C OBR. 3) 2a. Správne zasunúť napájací kábel do zásuvky elektrickej siete (OBR. 5) 2b. Skontrolujte správne napätie vášho zariadenia 3. Obráťte sa na technické servisné stredisko 4a. Resetujte ohrievač (VIĎ ODSŤ. „RESET OHRIEVAČA“) 4b. Obráťte sa na technické servisné stredisko 5. Pôsobte na termostat prostredia a nastavte ho na teplotu vyššiu, než je pracovné prostredie (OBR. 6) 6. Doplníte palivo a prípadne resetujte ohrievač (VIĎ ODSŤ. „RESET OHRIEVAČA“) 7a. Vyprázdňte a naplňte nádrž čistým palivom 7b. Vyčistite filtre (VIĎ ODSŤ. „ČISTENIE FILTROV“) 7c. Obráťte sa na technické servisné stredisko 8. Znížte teplotu nastavenú na digitálnom termostate (VIĎ ODSŤ. „NASTAVENIE ELEKTRONICKÉHO REGULÁTORA“) 9. Resetujte elektroniku (VIĎ ODSŤ. „RESET OHRIEVAČA“)
Ohrievač generuje dym počas prevádzky	<ol style="list-style-type: none"> Prítomnosť cudzích telies v palivovom okruhu Prekážky v otvore prívodu vzduchu 	<ol style="list-style-type: none"> 1a. Vyprázdňte a naplňte nádrž čistým palivom 1b. Vyčistite filtre (VIĎ ODSŤ. „ČISTENIE FILTROV“) 1c. Obráťte sa na technické servisné stredisko 2. Odstráňte všetky možné prekážky z otvoru prúdenia vzduchu
Ohrievač sa nevypne	<ol style="list-style-type: none"> Teplota nastavená na digitálnom termostate je príliš nízka Vadná elektronika 	<ol style="list-style-type: none"> Zvýšte teplotu nastavenú na digitálnom termostate (VIĎ ODSŤ. „NASTAVENIE ELEKTRONICKÉHO REGULÁTORA“) Obráťte sa na technické servisné stredisko

ВАЖНО: ТРЯБВА ДА ПРОЧЕТЕТЕ И РАЗБЕРЕТЕ ТОВА РЪКОВОДСТВО ЗА РАБОТА, ПРЕДИ ДА ПРИСТЪПИТЕ КЪМ СГЛОБЯВАНЕ, ВЪВЕЖДАНЕ В ЕКСПЛОАТАЦИЯ ИЛИ ПОДДРЪЖКА НА ТОЗИ ОТОПЛИТЕЛЕН УРЕД. ПОГРЕШНАТА УПОТРЕБА НА ОТОПЛИТЕЛНИЯ УРЕД МОЖЕ ДА ПРИЧИНИ ТЕЖКИ ИЛИ ФАТАЛНИ НАРАНЯВАНИЯ. СЪХРАНЯВАЙТЕ ТОВА РЪКОВОДСТВО ЗА ИНФОРМАЦИЯ ЗА В БЪДЕЩЕ.

▶▶▶ 1. ОПИСАНИЕ

Тази серия отоплителни уреди на горещ въздух се препоръчва специално за затопляне на помещения или пространства със средни или големи размери.

Уредите за индиректно отопление (ФИГ. 1) позволяват разделяне на горивните газове от горещия въздух, отделян в помещението, благодарение на вътрешен топлообменник. По този начин потокът чист горещ въздух може да се въведе в помещението за отопление, а продуктите на горенето да се отведат навън.

Тези отоплителни уреди с горещ въздух са проектирани според най-модерните критерии за безопасност, функционалност и дълготрайност. Устройствата за безопасност гарантират винаги правилно функциониране на отоплителния уред.

▶▶▶ 2. ИНФОРМАЦИЯ ОТНОСНО БЕЗОПАСНОСТТА ПРЕДУПРЕЖДЕНИЯ



ВАЖНО: Този калорифер е проектиран за мобилни и временни професионални приложения. Той не е предназначен за домашна употреба, нито за осигуряване на топлинен комфорт на човека.



ВАЖНО: Този уред не е подходящ за използване от страна на лица (включително деца) с ограничени физически, сензорни и умствени способности, както и от неопитни ползватели, освен ако не са под надзора на лице, отговорно за безопасността им. Децата трябва да са под контрол, за да сте сигурни, че не си играят с уреда.



ОПАСНОСТ: Асфиксията, причинена от въглероден окис, може да бъде фатална.

Първите симптоми за асфиксия (задушаване) от въглероден окис наподобяват тези на грипа с главоболие, световъртеж и/или гадене. Тези симптоми биха могли да бъдат причинени от дефектна работа на отоплителния уред. В СЛУЧАЙ НА ПОЯВА НА ТЕЗИ СИМПТОМИ, НЕЗАБАВНО ИЗЛЕЗТЕ НА ОТКРИТО и дайте отоплителния уред на поправка в сервизния център.

▶▶▶ 2.1. ЗАРЕЖДАНЕ:

▶ 2.1.1. Отговорният за зареждането персонал трябва да бъде квалифициран и да е добре запознат с инструкциите на производителя и с действащата нормативна уредба по отношение на безопасното зареждане на отоплителните уреди.

▶ 2.1.2. Използвайте само вида гориво, изрично посочен върху идентификационната табела на отоплителния уред.

▶ 2.1.3. Преди да извършите зареждането, изключете отоплителния уред и изчакайте да изстине.

▶ 2.1.4. Цистерните за съхранение на горивото трябва да се намират в отделна конструктивна сграда.

▶ 2.1.5. Всички резервоари за гориво трябва да се намират на минималната безопасна дистанция от отоплителния уред съгласно валидните стандарти.

▶ 2.1.6. Горивото трябва да се съхранява в помещения, чийто под да не позволява проникване и капене на същото върху намиращи се отдолу пламъци, които може да причинят запалването му.

▶ 2.1.7. Горивото трябва да се съхранява в съответствие с действащата нормативна уредба.

▶▶▶ 2.2. БЕЗОПАСНОСТ:

▶ 2.2.1. Никога не използвайте отоплителния уред в помещения, в които има бензин, разтворители за бои или други силно запалими пари.

▶ 2.2.2. По време на използване на отоплителния уред се придържайте към всички местни разпоредби и към действащата нормативна уредба.

▶ 2.2.3. Отоплителните уреди, използвани в близост до платнища, завеси или други подобни материали за покриване трябва да бъдат поставяни на безопасно разстояние от тях. Препоръчва се използване на негорими покриващи материали.

▶ 2.2.4. Използвайте само в проветриви помещения. Осигурете подходящ отвор според действащите стандарти с цел да позволите влизането на чист въздух отвън.

▶ 2.2.5. Захранвайте отоплителния уред само с ток с напрежението и честотата, посочени върху идентификационната табелка.

▶ 2.2.6. Използвайте само подходящи правилно заземени удължители.

▶ 2.2.7. Препоръчителните минимални безопасни разстояния между отоплителния уред и запалими вещества са: преден изход = 2,5 м; странично, горе и отзад = 1,5 м.

▶ 2.2.8. Поставете горещия или работещ отоплителен уред върху стабилна и нивелирана повърхност, така че да избегнете рисковете от пожар.

▶ 2.2.9. Дръжте животните на безопасно разстояние от отоплителния уред.

▶ 2.2.10. Разкачете отоплителния уред от контакта на захранващата мрежа, когато не го използвате.

▶ 2.2.11. Когато се управлява от термостат, отоплителният уред може да се запалва във всеки един момент.

▶ 2.2.12. Никога не използвайте отоплителния уред в често обитавани стаи, нито в спални.

▶ 2.2.13. Никога не блокирайте отворите за въздух, нито изхода на въздуха на отоплителния уред.

▶ 2.2.14. Когато отоплителният уред е горещ или е свързан към електрическата мрежа или работи, никога не трябва да бъде преместван, да се борави с него, не може да бъде зареждан, нито подлаган на каквато и да е операция по поддръжка.

▶ 2.2.15. Избягвайте провеждането на въздуха на входа и/или на изхода през димопроводи, различни от оригиналните комплекти (ако е предвидено).

▶ 2.2.16. Дръжте запалими или термолабилни материали (включително захранващия кабел) на подходяща дистанция от горещите части на отоплителния уред.

▶ 2.2.17. Ако захранващият кабел е повреден, трябва да бъде подменен от центъра за сервизно обслужване така, че да се предотвратят всякакви рискове.

▶ 2.2.18. По време на работата проверявайте дали противопожарните средства са готови за употреба.

► 2.2.19. При подмяна на горелката използвайте оригинални резервни части, спазвайте стриктно предвиденото като дебит, тип на дюзите и налягане на помпата. Евентуално увеличение на мощността на горелката би могло да повреди отоплителния уред.

►►► 3. РАЗОПАКОВАНЕ

ПРЕДУПРЕЖДЕНИЕ: ОПАКОВЪЧНИЯТ МАТЕРИАЛ НЕ Е ИГРАЧКА ЗА ДЕЦА. ДРЪЖТЕ НАЙЛОНОВОТО ПЛИКЧЕ ДАЛЕЧ ОТ ДОСЕГА НА ДЕЦА; ОПАСНОСТ ОТ ЗАДУШАВАНЕ!

- 3.1. Отстранете всички опаковъчни материали, използвани за пакетиране и експедиране на отоплителния уред. Изхвърлете ги съгласно действащата нормативна уредба.
- 3.2. В случай че отоплителният уред е поставен върху платформа, го свалете внимателно оттам с помощта на подходящи приспособления и инструменти съгласно националното законодателство и при спазване на валидните стандарти. Може да го повдигнете с мотокар, като използвате подходящи вериги и куки за окачване (отоплителният уред разполага с ринг болтове).
- 3.3. Проверете за евентуални щети, нанесени по време на транспортиране. Ако отоплителният уред изглежда повреден, осведомете незабавно дистрибутора, от когото същият е закупен.

►►► 4. СГЛОБЯВАНЕ

(ФИГ. 2)

Тези отоплителни уреди разполагат с ръкохватки, скоби, поставки и др. в зависимост от модела. Тези компоненти, окомплектовани със съответните монтажни болтове, са поставени в опаковката на отоплителния уред.

►►► 5. ГОРИВО

ПРЕДУПРЕЖДЕНИЕ: ОТОПЛИТЕЛНИЯТ УРЕД РАБОТИ САМО С ДИЗЕЛ ИЛИ КЕРОСИН.

Използвайте само дизел или керосин, за да избегнете рисковете от пожар и експлозия. Никога не използвайте бензин, нафта, разтворители за бои, спирт или други силно запалими горива.

При много ниски температури използвайте нетоксични антифризни добавки.

Препоръчваме под 5°C да използвате зимен газьол.

►►► 6. ПРИНЦИПИ НА РАБОТА

Помпата на горелката засмуква гориво от резервоара и го подава под налягане към дюзата, където то се пулверизира и смесва с горивния въздух в горивната камера. Една искра възпламенява горивото, а изгорелите димни газове се изхвърлят през комина. Няколко сензора непрекъснато проверяват правилното функциониране на отоплителния уред, като спират цикъла в случай на проблеми. Вентилаторът, разположен от задната страна на отоплителния уред, охлажда горивната камера и димоотвода, осигуряващ промяна на посоката на дима с цел по-добро оползотворяване на топлината, като прехвърля топлината от димоотвода към помещението.

►►► 7. КОНТРОЛЕН ПАНЕЛ

(ФИГ. 3)

- A. Електронен регулатор.
- B. Брояч на часове.
- C. Ключ за запалване.
- D. Бутон за контрол на вентилацията.

- E. Светлинен индикатор за наличие на ел. напрежение.
- F. Светлинен индикатор за аларма поради блокиране на горелка.
- G. Светлинен индикатор за аларма поради блокиране на вентилацията.
- H. Светлинен индикатор за аларма при прегряване.
- I. Нулиране на термостата за прегряване.
- L. Конектор на горелката.
- M. Ел. предпазител.
- N. Конектор на дистанционен стаен термостат.

►►► 8. ЕКСПЛОАТАЦИЯ

ПРЕДУПРЕЖДЕНИЕ: ПРОЧЕТЕТЕ ВНИМАТЕЛНО „ИНФОРМАЦИЯТА ЗА БЕЗОПАСНОСТ“, ПРЕДИ ДА ВКЛЮЧИТЕ ОТОПЛИТЕЛНИЯ УРЕД.

►►► 8.1. ЗАПАЛВАНЕ НА ОТОПЛИТЕЛНИЯ УРЕД:

- 8.1.1. Спазвайте всички инструкции, отнасящи се до безопасността.
- 8.1.2. Свържете тръбите за горивото правилно на входа и на изхода (ФИГ. 4).
- 8.1.3. Проверете за наличие на гориво в резервоара.
- 8.1.4. Свържете щепсела за захранване към електрическата мрежа (ФИГ. 5) (ВИЖТЕ НАПРЕЖЕНИЕТО В ТАБЛИЦА „ТЕХНИЧЕСКИ ДАННИ“).
- 8.1.5. Поставете ключа за запалване на положение „ПЛАМЪК“ (С ФИГ. 3). Отоплителният уред би трябвало да се запали до няколко секунди. Ако отоплителният уред не започне работа, направете справка в раздел „ОТКРИВАНЕ НА ПРОБЛЕМ“.
- 8.1.6. Отоплителният уред може да се използва в режим на вентилация. За да активирате тази функция, поставете ключа за запалване на положение „ВЕНТИЛАТОР“ (С ФИГ. 3).
- 8.1.7. Отоплителният уред разполага с бутон, който позволява да контролирате вентилацията (D ФИГ. 3).
 - АКТИВЕН БУТОН: Вентилацията работи непрекъснато (идеално при екстремални условия на употреба).
 - НЕАКТИВЕН БУТОН: Вентилацията работи автоматично (нормална работа).
- 8.1.8. При моделите със стаен термостат проверете настроената температура (ФИГ. 6).

ЗАБЕЛЕЖКА: В СЛУЧАЙ НА ИЗГАСВАНЕ НА ОТОПЛИТЕЛНИЯ УРЕД, ДЪЛЖАЩО СЕ НА ИЗЧЕРПВАНЕ НА ГОРИВОТО, ДОПЪЛНЕТЕ РЕЗЕРВОАРА И ВЪРНЕТЕ ОТОПЛИТЕЛНИЯ УРЕД В НОРМАЛНО РАБОТНО ПОЛОЖЕНИЕ (ВЖ РАЗДЕЛ „НУЛИРАНЕ НА ОТОПЛИТЕЛНИЯ УРЕД“).

ВАЖНО: ПРИ ИНДИРЕКТНИТЕ МОДЕЛИ ПРОДУКТИТЕ ОТ ГОРЕНЕТО МОЖЕ ДА БЪДАТ ОТВЕЖДАНИ НАВЪН. НАПРАВЕТЕ ВЪЗДУХОВОДА СЪГЛАСНО ДЕЙСТВАЩАТА НОРМАТИВНА БАЗА И СПАЗВАЙТЕ УКАЗАНИЯТА, ПОСОЧЕНИ В СЪОТВЕТНИЯ РАЗДЕЛ НА РЪКОВОДСТВОТО.

►►► 8.2. ИЗКЛЮЧВАНЕ НА ОТОПЛИТЕЛНИЯ УРЕД:

Поставете ключа за запалване на положение „0“ (С ФИГ. 3). Пламъкът изгасва, а вентилаторът продължава да работи до пълно охлаждане на горивната камера. Не разкачвайте щепсела до завършване на цикъла на охлаждане.

►►► 9. НУЛИРАНЕ НА ОТОПЛИТЕЛНИЯ УРЕД

В случай на поява на проблем в нормалното функциониране, отоплителният уред изключва.

За да върнете отоплителния уред в работен режим, трябва да откриете и отстраните причината, която е причинила блокирането (например запушване на

въздушния отвор на входа и/или на този за подаване на въздух, спиране на вентилатора, липса на гориво и др.). В случай че не успеете да отстраните проблема, който е предизвикал блокирането, поискайте центърът за сервизно обслужване да се намеси.

За да нулирате отоплителния уред, препоръчваме да изпълните следната процедура (следвайте всички инструкции за безопасност):

► **НУЛИРАНЕ НА ТЕРМОСТАТА ЗА ПРЕГРЯВАНЕ** [Включен светлинен индикатор (H ФИГ. 3)]: Отоплителният уред е достигнал максималната работна температура. За да нулирате отоплителния уред, отстранете причината, която е предизвикала блокирането (при необходимост се обърнете към сервизния център), свалете капака (ФИГ. 7), развийте капачката и натиснете бутона до долу (I ФИГ. 3). След това завийте отново капачката и върнете капака (ФИГ. 8).

► **НУЛИРАНЕ НА ГОРЕЛКАТА** [Включен светлинен индикатор (F ФИГ. 3) (ФИГ. 9)]: Има проблем при работата на горелката. За да нулирате горелката, отстранете причината, която е предизвикала блокирането (при необходимост се обърнете към сервизния център), свалете капака (ФИГ. 7) и за няколко секунди натиснете докрай бутона (ФИГ. 10). След това върнете капака на мястото му (ФИГ. 8).

► **НУЛИРАНЕ НА МОТОРА НА ВЕНТИЛАЦИЯТА** [Включен светлинен индикатор (G ФИГ. 3)]: Моторът на вентилацията е блокиран или работи необичайно. За да нулирате отоплителния уред, поставете ключа за запалване на положение „0“ (C ФИГ. 3), отстранете причината, която е предизвикала блокирането (при необходимост се обърнете към сервизния център) и отново включете отоплителния уред.

►►► 10. КОНФИГУРИРАНЕ НА ДИГИТАЛНИЯ ТЕРМОСТАТ

ВАЖНО: ЕЛЕКТРОННИЯТ РЕГУЛАТОР (ВЕЧЕ НАСТРОЕН ОТ ПРОИЗВОДИТЕЛЯ) НЕ НАРУШАВА ДОБРАТА РАБОТА НА ОТОПЛИТЕЛНИЯ УРЕД, АКО НЕ БЪДЕ НАСТРОЕН ПОВТОРНО.

Електронният регулатор (A ФИГ. 3) контролира включването и изключването на вентилацията на етап предварително загряване и последваща вентилация на отоплителния уред.

В зависимост от стаината температура (много студен или много горещ климат, ВИЖ ТАБЛ. „КОНФИГУРИРАНЕ НА ЕЛЕКТРОННИЯ РЕГУЛАТОР“), може да се наложи да промените референтния параметър.

Процедура по конфигуриране:

► 10.1. Проверете дали ключът за запалването е на положение „0“ и дали щепселът за захранването е свързан към електрозахранващата мрежа.

► 10.2. Натиснете бутоните в описаната последователност:

-Натиснете бутон „SET“.

-Стигнете до показване на „SP2“, като навигирате с бутони „▼“ / „▲“.

-Натиснете бутон „SET“, за да влезете.

-Настройте желаната температура с бутони „▼“ / „▲“.

-Натиснете бутон „SET“ за потвърждение.

ВАЖНО: ЕЛЕКТРОННИЯТ РЕГУЛАТОР НЯМА ФУНКЦИЯ НА СТАЕН ТЕРМОСТАТ.

►►► 11. ПОЧИСТВАНЕ НА ФИЛТРИ

►► 11.1. ФИЛТЪР ПРИ ЗАСМУКВАНЕТО, В ЗАВИСИМОСТ ОТ МОДЕЛА:

(ФИГ. 11)

В зависимост от качеството на използваното гориво може да се наложи филтрите да се почистват:

► 11.1.1. Отстранете чашката (A).

► 11.1.2. Извадете филтъра (B) от чашката, като внимавате да пазите уплътненията.

► 11.1.3. Почистете филтъра (B) с чисто гориво, като внимавате да не го повредите.

► 11.1.4. Монтирайте филтъра (B) обратно в чашката.

► 11.1.5. Монтирайте чашката (A) обратно, като внимавате да върнете уплътненията по местата им.

►► 11.2. ФИЛТЪР НА ГОРИВНАТА ПОМПА:

Вижте програмата за превантивна поддръжка.

►►► 12. СЪХРАНЕНИЕ И ТРАНСПОРТИРАНЕ

ПРЕДУПРЕЖДЕНИЕ: ПРЕДИ КАКВОТО И ДА Е ПРЕМЕСТВАНЕ ТРЯБВА ДА СПРЕТЕ ОТОПЛИТЕЛНИЯ УРЕД (ВИЖ РАЗД. „ИЗКЛЮЧВАНЕ НА ОТОПЛИТЕЛНИЯ УРЕД“), ДА ИЗКЛЮЧИТЕ ЕЛЕКТРОЗАХРАНВАНЕТО, КАТО ИЗВАДИТЕ ЩЕПСЕЛА ОТ ЕЛЕКТРИЧЕСКИЯ КОНТАКТ (ФИГ. 12), И ДА ИЗЧАКАТЕ УРЕДЪТ ДА СЕ ОХЛАДИ НАПЪЛНО. КОГАТО ПРЕМЕСТВАТЕ ОТОПЛИТЕЛНИЯ УРЕД, ГО ПРИДЪРЖАЙТЕ В НИВЕЛИРАНО ПОЛОЖЕНИЕ.

За да съхранявате отоплителния уред възможно най-добре, препоръчваме да изпълните следната процедура (следвайте всички инструкции за безопасност):

► 12.1. Може да го повдигнете с мотокар, като използвате подходящи вериги и куки за окачване (отоплителният уред разполага с ринг болтове).

► 12.2. За да съхранявате отоплителния уред възможно най-добре, препоръчваме да го оставите на сухо място, защитено от възможни повреди.

►►► 13. СВЪРЗВАНЕ НА СТАЕН ТЕРМОСТАТ

При моделите с осигурено свързване на стаен термостат отстранете свързаната към отоплителния уред капачка и свържете стаиния термостат (опция) (ФИГ. 13-14).

►►► 14. УКАЗАНИЯ ЗА ВЪЗДУХОПРОВОДА (ФИГ. 15)

ВАЖНО: ИЗБЯГВАЙТЕ ОТВЕЖДАНЕТО НА ВЪЗДУХА НА ВХОДА И/ИЛИ НА ИЗХОДА ЧРЕЗ ВЪЗДУХОПРОВОДИ, ОСВЕН АКО НЕ СА ОРИГИНАЛНИ КОМПЛЕКТИ (АКО Е ПРЕДВИДЕНО).

За да избегнете проблеми с работата на отоплителния уред или нараняване на хора, трябва да внимавате за разположението на тръбите на въздухопроводите. За да намалите съпротивлението на въздушната струя, препоръчваме да поставите тръбите на въздухопровода, като намалите броя чупки и избягвате огъвания с остри ъгли. Не трябва да има чупки през първите метри.

ПРЕДУПРЕЖДЕНИЕ: ПРЕДИ ДА ИЗВЪРШИТЕ КАКВАТО И ДА БИЛО ПОДДРЪЖКА ИЛИ ПОПРАВКА, ИЗКЛЮЧЕТЕ ЗАХРАНВАЩИЯ КАБЕЛ ОТ ЕЛЕКТРИЧЕСКАТА МРЕЖА И СЕ УВЕРЕТЕ, ЧЕ ОТОПЛИТЕЛНИЯТ УРЕД Е СТУДЕН.

►►► 15. ПРОГРАМА ЗА ПРЕВАНТИВНА ПОДДРЪЖКА

КОМПОНЕНТ	ЧЕСТОТА НА ПОДДРЪЖКАТА	ПРОЦЕДУРА ПО ПОДДРЪЖКА
Филтри	Почиствайте или сменяйте веднъж годишно или в зависимост от нуждата (проверете цялостта)	Почистете филтрите (ВИЖ РАЗД. „ПОЧИСТВАНЕ НА ФИЛТРИ“)
Филтър на горивната помпа	Почиствайте или сменяйте веднъж годишно или в зависимост от нуждата (проверете цялостта)	Обърнете се към сервизния център
Електроди	Почиствайте според нуждите	Обърнете се към сервизния център
Вентилатор	Почиствайте според нуждите	Обърнете се към сервизния център
Горивна камера	Почиствайте според нуждите	Обърнете се към сервизния център

►►► 16. ОТКРИВАНЕ НА ПРОБЛЕМИ

ПРОБЛЕМ	ВЪЗМОЖНА ПРИЧИНА	ВЪЗМОЖНО РЕШЕНИЕ
Отоплителният уред не заработва или не остава запален	<ol style="list-style-type: none"> Ключ за запалване на положение „0“ Липса на захранване Прекъснат захранващ кабел Електрониката трябва да се върне в работно положение или е дефектна Погрешна настройка на стайния термостат (ако има такъв) Липса на гориво Наличие на чужди вещества в кръга за горивото Настроената в дигиталния термостат температура е прекалено висока Блокирана електроника 	<ol style="list-style-type: none"> Поставете ключа за запалване на положение „ПЛАМЪК“ (С ФИГ. 3) Поставете правилно захранващия кабел в контакта на електрическата мрежа (ФИГ. 5) Проверете дали напрежението на инсталацията Ви е правилно Обърнете се към сервизния център Нулирайте отоплителния уред (ВИЖ РАЗД. „НУЛИРАНЕ НА ОТОПЛИТЕЛНИЯ УРЕД“) Обърнете се към сервизния център Поставете стайния термостат на температура, по-висока от тази на работната среда (ФИГ. 6) Заредете гориво и евентуално нулирайте отоплителния уред (ВИЖ РАЗД. „НУЛИРАНЕ НА ОТОПЛИТЕЛНИЯ УРЕД“) Източете и напълнете резервоара с чисто гориво Почистете филтрите (ВИЖ РАЗД. „ПОЧИСТВАНЕ НА ФИЛТРИ“) Обърнете се към сервизния център Намалете температурата, настроена в дигиталния термостат (ВИЖ РАЗД. „КОНФИГУРИРАНЕ НА ЕЛЕКТРОННИЯ РЕГУЛАТОР“) Нулирайте електрониката (ВИЖ РАЗД. „НУЛИРАНЕ НА ОТОПЛИТЕЛНИЯ УРЕД“)
Отоплителният уред отделя дим по време на работата си	<ol style="list-style-type: none"> Наличие на чужди вещества в кръга за горивото Запушване на входния отвор за въздух 	<ol style="list-style-type: none"> Източете и напълнете резервоара с чисто гориво Почистете филтрите (ВИЖ РАЗД. „ПОЧИСТВАНЕ НА ФИЛТРИ“) Обърнете се към сервизния център Отстранете всички възможни запушвания на отвора за въздух
Отоплителният уред не се изключва	<ol style="list-style-type: none"> Настроената в дигиталния термостат температура е прекалено ниска Дефектна електроника 	<ol style="list-style-type: none"> Увеличете температурата, настроена в дигиталния термостат (ВИЖ РАЗД. „КОНФИГУРИРАНЕ НА ЕЛЕКТРОННИЯ РЕГУЛАТОР“) Обърнете се към сервизния център

ВАЖЛИВА ІНФОРМАЦІЯ: УВАЖНО ОЗНАЙОМТЕСЬ З ЦІЄЮ ІНСТРУКЦІЄЮ З ЕКСПЛУАТАЦІЇ ПЕРЕД МОНТАЖЕМ, ЗАПУСКОМ ТА ТЕХНІЧНИМ ОБСЛУГОВУВАННЯМ ЦЬОГО НАГРІВАЧА. НЕНАЛЕЖНЕ ВИКОРИСТАННЯ ОБІГРІВАЧА МОЖЕ СПРИЧИНИТИ СЕРЙОЗНІ АБО ФАТАЛЬНІ ТРАВМИ. ЗБЕРЕЖІТЬ ЦЮ ІНСТРУКЦІЮ ДЛЯ ВИКОРИСТАННЯ В МАЙБУТНЬОМУ.

▶▶▶ 1. ОПИС

Ця серія обігрівачів повітря особливо призначена для обігріву приміщень середніх або великих розмірів. Нагрівачі непрямого нагрівання (МАЛ. 1) завдяки внутрішньому теплообміннику дозволяють відокремити газ згоряння від гарячого повітря, що випускається в середовище. У такий спосіб можна отримувати чисте гаряче повітря там, де приміщення має обігріватися, а продукти згоряння виводитимуться назовні. Ці нагрівачі гарячого повітря були розроблені відповідно до найсучасніших критеріїв безпеки, функціональності та довговічності їх служби. Пристрої безпеки завжди гарантують правильне функціонування нагрівача.

▶▶▶ 2. ІНФОРМАЦІЯ ЩОДО ДОТРИМАННЯ ВИМОГ БЕЗПЕКИ ЗАСТЕРЕЖЕННЯ



ВАЖЛИВА ІНФОРМАЦІЯ: Цей повітрянагрівач був розроблений для мобільного і тимчасового професійного застосування. Він не призначений ані для домашнього використання, ані для теплового комфорту людини.



ВАЖЛИВА ІНФОРМАЦІЯ: Цей пристрій не пристосований для використання особами (включаючи дітей) з обмеженими фізичними і розумовими можливостями або непідготовленими особами, за виключенням випадків, коли вони перебувають під наглядом особи, відповідальної за їхню безпеку. Діти повинні перебувати під наглядом, аби перешкодити їм гратися з пристроєм.



НЕБЕЗПЕКА: Отруєння оксидом вуглецю (чадним газом) може мати фатальні наслідки.

Перші ознаки отруєння чадним газом нагадують ознаки захворювання на грип: головний біль, запаморочення та/або нудота. Ці симптоми можуть бути спричинені несправною роботою нагрівача. В РАЗІ ВИНИКНЕННЯ ТАКИХ СИМПТОМІВ НЕГАЙНО ВИЙДІТЬ НА СВІЖЕ ПОВІТРЯ і зверніться до центру технічного обслуговування для ремонту нагрівача.

▶▶ 2.1. ЗАПРАВЛЕННЯ:

- ▶ 2.1.1. Відповідальний за заправлення персонал повинен мати належну кваліфікацію і бути повністю обізнаним з інструкціями виробника та з чинними правилами стосовно безпечного заправлення нагрівачів.
- ▶ 2.1.2. Використовуйте тільки той тип пального, який чітко вказано на таблиці з технічними даними, що міститься на нагрівачі.
- ▶ 2.1.3. Перш ніж заправляти нагрівач, вимкніть його і дочекайтесь, доки він охолоне.
- ▶ 2.1.4. Цистерни для зберігання пального повинні зберігатися в окремій будівлі.

- ▶ 2.1.5. Всі ємкості з паливом повинні бути на мінімальній безпечній відстані від нагрівача, відповідно до чинних правил.
- ▶ 2.1.6. Пальне зберігається в місцях, підлога яких є герметичною і не дозволяє витік пального і потрапляння на полум'я нижче.
- ▶ 2.1.7. Умови зберігання пального мають відповідати чинним правилам.
- ▶▶ **2.2. БЕЗПЕКА:**
- ▶ 2.2.1. Ніколи не використовуйте нагрівач у приміщеннях, де є бензин, лакові розчинники або інші легкозаймисті випари.
- ▶ 2.2.2. Під час експлуатації нагрівача дотримуйтесь всіх місцевих розпоряджень і чинних правил.
- ▶ 2.2.3. Нагрівачі, які використовуються поблизу завіс, тентів або подібних їм покрівельних матеріалів, повинні перебувати на безпечній відстані від них. Рекомендується також використовувати вогнетривкі покрівельні матеріали.
- ▶ 2.2.4. Використовуйте нагрівач лише в добре провітрюваних приміщеннях. Попіклуйтесь, відповідно до чинних правил, про обладнання належних вентиляційних отворів для надходження ззовні свіжого повітря.
- ▶ 2.2.5. Для роботи нагрівача використовувати лише струм з напругою і частотою, які вказані на таблиці технічних даних.
- ▶ 2.2.6. Використовуйте лише подовжувачі, належно заземлені.
- ▶ 2.2.7. Мінімальні безпечні відстані, рекомендовані між нагрівачем та легкозаймистими речовинами: передній вихід = 2,5 м; збоку, зверху та позаду = 1,5 м.
- ▶ 2.2.8. Щоб запобігти ризику виникнення пожежі, гарячий або працюючий нагрівач слід ставити на стійку і горизонтальну рівну поверхню.
- ▶ 2.2.9. Тримайте тварин на безпечній відстані від пристрою.
- ▶ 2.2.10. Коли генератор не використовується, слід відключити його від електромережі.
- ▶ 2.2.11. Коли робота пристрою контролюється термостатом, паливник нагрівача може запалюватися в будь-який момент.
- ▶ 2.2.12. Ніколи не використовуйте нагрівач у кімнатах постійного перебування, а також в спальнях.
- ▶ 2.2.13. Ніколи не блокуйте подачу повітря чи випуск повітря нагрівача.
- ▶ 2.2.14. Забороняється переміщувати, проводити з ним будь-які дії, в тому числі ремонтні операції, якщо обігрівач гарячий, підключений до електромережі або працює.
- ▶ 2.2.15. Уникати каналізувати повітря при вході або виході, за винятком використання оригінальних комплектів (якщо передбачено).
- ▶ 2.2.16. Дотримуйтесь належної відстані від займистих речовин або від матеріалів, які руйнуються під дією тепла (включаючи шнур живлення) гарячими частинами нагрівача.

- ▶ 2.2.17. Пошкоджений кабель живлення повинен бути замінений службою технічного обслуговування з метою запобігання будь-яких ризиків.
- ▶ 2.2.18. Протягом роботи переконайтеся, що пристрої протипожежної безпеки готові до використання.
- ▶ 2.2.19. У разі заміни пальника, використовуйте оригінальні запасні частини, скрупульозно дотримуйтесь характеристик потоку, типу насадок та тиску насоса. Збільшення потужності пальника може пошкодити нагрівач.

▶▶▶ 3. РОЗПАКОВУВАННЯ

ПОПЕРЕДЖЕННЯ: ПАКУВАЛЬНИЙ МАТЕРІАЛ НЕ Є ІГРАШКОЮ ДЛЯ ДІТЕЙ. ТРИМАТИ ПЛАСТИКОВИЙ ПАКЕТ ЗА МЕЖЕЮ ДОСЯЖНОСТІ ДІТЕЙ: НЕБЕЗПЕКА ЗАДУШЕННЯ!

- ▶ 3.1. Звільніть нагрівач від усіх пакувальних матеріалів, використаних для його пакування і пересилки. Утилізуйте пакувальний матеріал згідно з чинними нормами.
- ▶ 3.2. Якщо нагрівач розміщений на платформі, обережно опустіть його за допомогою відповідних приладів та пристроїв відповідно до національних правил та відповідно до чинного законодавства. Його можна підняти вилковим навантажувачем, використовуючи придатні ланцюги та підвісні гачки (нагрівач обладнаний окулярними гачками).
- ▶ 3.3. Переконайтеся у відсутності пошкоджень, спричинених транспортуванням. Якщо нагрівач видається пошкодженим, негайно зв'яжіться з продавцем, в якого він був придбаний.

▶▶▶ 4. МОНТАЖ

(МАЛ. 2)

Ці нагрівачі обладнані ручками, кронштейнами, опорами тощо, залежно від моделі. Ці компоненти, разом з кріпильними деталями, розміщені в упаковці нагрівача.

▶▶▶ 5. ПАЛЬНЕ

ПОПЕРЕДЖЕННЯ: НАГРІВАЧ ПРАЦЮЄ ТІЛЬКИ НА ДИЗЕЛЬНОМУ ПАЛЬНОМУ АБО НА КЕРОСИНІ.

Використовуйте тільки дизельне паливо або керосин, аби запобігти ризикам пожежі або вибуху. Ніколи не використовуйте бензин, нафту, лакові розчинники, алкоголь або інші легкозаймисті горючі речовини.

За дуже низьких температур використовуйте нетоксичні добавки, що захищають від замерзання (антифризи).

Ми рекомендуємо використовувати зимове дизельне паливо за температури нижче 5°C.

▶▶▶ 6. ПРИНЦИП РОБОТИ

Насос пальника втягує паливо з резервуару та надсилає його до напірного сопла, де воно розпилюється і змішується з повітрям в камері згоряння. Іскра провокує згоряння, а димові відходи виводяться через димохід. Серія датчиків постійно слідкує за правильністю роботи обігрівача, блокуючи роботу у випадку виявлення аномалій. Вентилятор, розташований у задній частині нагрівача, має на меті охолоджувати камеру згоряння та ротор, передаючи від них тепло в середовище.

▶▶▶ 7. ПАНЕЛЬ КЕРУВАННЯ

(МАЛ. 3)

- A. Електронний регулятор.
- B. Лічильник.
- C. Вмикач.
- D. Кнопка управління вентиляцією.
- E. Індикатор наявності електронапруги.
- F. Індикатор повідомлення блокування пальника.
- G. Індикатор повідомлення блокування вентиляції.
- H. Індикатор повідомлення перегріву.
- I. Скидання термостата перегріву.
- L. З'єднувач пальника.
- M. Запобіжник.
- N. З'єднувач дистанційного термостату приміщення.

▶▶▶ 8. РОБОТА

ПОПЕРЕДЖЕННЯ: УВАЖНО ПРОЧИТАЙТЕ РОЗДІЛ "ІНФОРМАЦІЯ ЩОДО ДОТРИМАННЯ ВИМОГ БЕЗПЕКИ", ПЕРШ НІЖ УВІМКНУТИ ОБІГРІВАЧ.

▶▶ 8.1. ВМИКАННЯ ОБІГРІВАЧА:

- ▶ 8.1.1. Дотримуйтесь всіх інструкцій щодо заходів безпеки.
- ▶ 8.1.2. Під'єднайте труби, по яких проходить паливо, до відповідних впускних і випускних з'єднань (МАЛ. 4).
- ▶ 8.1.3. Перевірте наявність пального в баку.
- ▶ 8.1.4. Під'єднайте вилку живлення до електричної мережі (МАЛ. 5) (ДИВИТИСЯ НАПРУГУ В "ТАБЛИЦІ ТЕХНІЧНИХ ДАНИХ").
- ▶ 8.1.5. Встановіть перемикач в положення "ПОЛУМ'Я" (С МАЛ. 3). Запалювання нагрівача має відбутися протягом декількох секунд. Якщо нагрівач не вмикається, зверніться до розділу "ПОШУК ПРОБЛЕМ".
- ▶ 8.1.6. Нагрівач може використовуватися в режимі вентиляції, щоб активувати цю функцію, встановіть перемикач в положення "ВЕНТИЛЯТОР" (С МАЛ. 3).
- ▶ 8.1.7. Нагрівач має кнопку, яка дозволяє контролювати вентиляцію (D МАЛ. 3).
 - КНОПКА АКТИВНА: Вентиляція працює безперервно (ідеально для екстремальних умов використання).
 - КНОПКА НЕАКТИВНА: Вентиляція працює автоматично (нормальна робота).
- ▶ 8.1.8. Для моделей з термостатом температури навколишнього середовища, перевірте встановлену температуру (МАЛ. 6).

ПРИМІТКА: У РАЗІ ВИМКНЕННЯ НАГРІВАЧА ЧЕРЕЗ ЗАКІНЧЕННЯ ПАЛЬНОГО ЗАЛИЙТЕ В БАК ПАЛЬНЕ І ПЕРЕЗАВАНТАЖТЕ НАГРІВАЧ (ДИВ. РОЗ. "ПЕРЕЗАВАНТАЖЕННЯ НАГРІВАЧА").

ВАЖЛИВА ІНФОРМАЦІЯ: У НЕПРЯМИХ МОДЕЛЯХ ПРОДУКТИ ЗГОРЯННЯ МОЖУТЬ БУТИ КАНАЛІЗОВАНІ НАЗОВНІ. ВИКОНАЙТЕ КАНАЛІЗУВАННЯ ЗГІДНО З ЧИННИМ ЗАКОНОДАВСТВОМ І ДОТРИМУЙТЕСЬ ВКАЗІВОК, ЩО НАВЕДЕНІ У ВІДПОВІДНОМУ РОЗДІЛІ ПОСІБНИКА.

▶▶ 8.2. ВИМИКАННЯ НАГРІВАЧА:

Встановіть перемикач в положення "0" (С МАЛ. 3). Полум'я гасне, а вентилятор продовжує працювати, поки камера згоряння повністю не охолоне. Не від'єднуйте з електричної мережі, поки цикл охолодження не буде завершено.

►►► 9. ПЕРЕЗАВАНТАЖЕННЯ НАГРІВАЧА

Якщо під час звичайної роботи виникає аномалія, нагрівач вимикається.

Щоб перезапустити нагрівач, слід ідентифікувати та усунути причину блокування (наприклад, закупорення повітряозабірника при запуску/випуску повітря, зупинка вентилятора, відсутність палива тощо). Якщо ви не можете усунути проблему, яка спричинила блокування, зверніться до центру технічної допомоги.

Щоб скинути нагрівач, радимо виконати таку процедуру (дотримуйтесь усіх правил техніки безпеки):

► **СКИДАННЯ ТЕРМОСТАТУ ПЕРЕГРІВУ** [Індикатор ввімкнений (H МАЛ. 3)]: Нагрівач досяг максимальної робочої температури. Щоб скинути нагрівач, усуньте причину, яка спричинила блокування (у разі потреби зверніться до сервісного центру), зніміть покриття (МАЛ. 7), відкрутіть кришку і повністю натисніть кнопку (I МАЛ. 3). Потім закрутіть кришку і знову покрийте (МАЛ. 8).

► **ПЕРЕЗАПУСК ПАЛЬНИКА** [Індикатор ввімкнений (F МАЛ. 3) (МАЛ. 9)]: Пальник має аномалію у функціонуванні. Щоб скинути пальник, усуньте причину, яка спричинила блокування (у разі потреби зверніться до сервісного центру), зніміть покриття (МАЛ. 7) і натисніть кнопку та утримайте її протягом декількох секунд (МАЛ. 10). Потім відновіть покриття (МАЛ. 8).

► **ПЕРЕЗАПУСК ВЕНТИЛЯЦІЙНОГО МОТОРА** [Індикатор ввімкнений (G МАЛ. 3)]: Вентиляційний двигун заблоковано або працює аномально. Щоб перезапустити нагрівач, встановіть перемикач в положення "0" (C МАЛ. 3), усуньте причину, яка спричинила блокування (якщо необхідно, зверніться до сервісного центру) та знову включіть нагрівач.

►►► 10. КОНФІГУРАЦІЯ ЕЛЕКТРОННОГО РЕГУЛЯТОРА

ВАЖЛИВА ІНФОРМАЦІЯ: ЕЛЕКТРОННИЙ РЕГУЛЯТОР (УЖЕ ВСТАНОВЛЕНИЙ ВИРОБНИКОМ), ЯКЩО НЕ ПЕРЕНАЛАШТОВАНИЙ, НЕ ВПЛИВАЄ НА ПРАВИЛЬНУ РОБОТУ НАГРІВАЧА.

Електронний регулятор (A МАЛ. 3), керує вмиканням і вимиканням вентиляції впродовж фази попереднього нагрівання і пост-вентиляції нагрівача.

Залежно від температури середовища (дуже холодна погода або дуже спекотна погода, ДИВ. ТАБЛ. "КОНФІГУРАЦІЯ ЕЛЕКТРОННОГО РЕГУЛЯТОРА"), може з'явитися необхідність змінити загальний параметр.

Процедура конфігурації:

► 10.1. Переконайтесь, що перемикач перебуває в положенні «0», а штепсельна вилка під'єднана до електромережі.

► 10.2. Виконайте таку послідовність клавіш:

-Натисніть кнопку «SET».

-Відобразить «SP2» переміщуючись за допомогою клавіш «▼» / «▲».

-Натисніть кнопку «SET», щоб увійти.

-Встановіть бажану температуру за допомогою клавіш «▼» / «▲».

-Натисніть кнопку «SET», щоб підтвердити.

ВАЖЛИВА ІНФОРМАЦІЯ: ЕЛЕКТРОННИЙ КОНТРОЛЕР НЕ МАЄ ФУНКЦІЇ ТЕРМОСТАТА ПРИМІЩЕННЯ.

►►► 11. ЧИЩЕННЯ ФІЛЬТРІВ

►► 11.1. ФІЛЬТР ВСМОКТУВАННЯ, ВІДПОВІДНО ДО МОДЕЛІ:

(МАЛ. 11)

Залежно від якості пального, яке використовується, може знадобитися чищення фільтрів:

► 11.1.1. Зняти скло (A).

► 11.1.2. Вийняти фільтр (B) з гільзи, звертаючи увагу на те, щоб зберегти пломби неушкодженими.

► 11.1.3. Очистити фільтр (B) чистим паливом, обережно, щоб не пошкодити його.

► 11.1.4. Встановити фільтр (B) у гільзу.

► 11.1.5. Встановити гільзу (A), дотримуючись правильного встановлення ущільнень.

►► 11.2. ПАЛИВНИЙ ФІЛЬТР:

Зверніться до програми профілактичного технічного обслуговування.

►►► 12. ЗБЕРІГАННЯ І ТРАНСПОРТУВАННЯ

ПОПЕРЕДЖЕННЯ: ПЕРЕД БУДЬ-ЯКИМ ТРАНСПОРТУВАННЯМ НАГРІВАЧ ПОВИНЕН БУТИ ВИМКНЕНИЙ (ДИВ. РОЗДІЛ "ВИМИКАННЯ НАГРІВАЧА"), ВІД'ЄДНАНИЙ ВІД ЕЛЕКТРОМЕРЕЖІ, ЗАЧЕКАЙТЕ, ПОКИ НАГРІВАЧ ПОВНІСТЮ ОХОЛОНЕ. ПРОТЯГОМ ТРАНСПОРТУВАННЯ НАГРІВАЧ МАЄ ПЕРЕБУВАТИ В СТАБІЛЬНО ОДНАКОВОМУ ПОЛОЖЕННІ.

Щоб якомога краще зберігати нагрівач, ми рекомендуємо виконати таку процедуру (дотримуйтесь усіх правил техніки безпеки):

► 12.1. Його можна підняти вилковим навантажувачем, використовуючи придатні ланцюги та підвісні гачки (нагрівач обладнаний окулярними гачками).

► 12.2. Для найліпшого збереження нагрівач слід тримати в сухому місці, захистивши від можливих ушкоджень.

►►► 13. ПІДКЛЮЧЕННЯ ТЕРМОСТАТУ ТЕМПЕРАТУРИ СЕРЕДОВИЩА

У моделях з підключенням до термостата середовища, зніміть кришку нагрівача і під'єднайте термостат температури середовища (опційно) (МАЛ. 13-14).

►►► 14. ПОРАДИ ДЛЯ КАНАЛІЗУВАННЯ

(МАЛ. 15)

ВАЖЛИВА ІНФОРМАЦІЯ: УНИКАЙТЕ КАНАЛІЗУВАТИ ПОВІТРЯ ПРИ ВХОДІ АБО ВИХОДІ, ЗА ВИНЯТКОМ ВИКОРИСТАННЯ ОРИГІНАЛЬНИХ КОМПЛЕКТІВ (ЯКЩО ПЕРЕДБАЧЕНО).

Щоб уникнути проблем з експлуатацією нагрівача або збитків, завданим особам, слід звернути увагу на розташування труб повітряного каналу. Для зменшення опору повітряного потоку доцільно розташувати каналні труби, зменшуючи кількість кривих і уникаючи поворотів з гострими кутами. Перші кілька метрів повинні бути без кривих.

ПОПЕРЕДЖЕННЯ: ПЕРШ НІЖ ПРОВОДИТИ БУДЬ-ЯКІ ОПЕРАЦІЇ З ОБСЛУГОВУВАННЯ ЧИ РЕМОНТУ, ВІД'ЄДНАЙТЕ НАГРІВАЧ ВІД ЕЛЕКТРОМЕРЕЖІ І ПЕРЕКОНАЙТЕСЯ В ТОМУ, ЩО ВІН ОХОЛОНУВ.

►►► 15. ПРОГРАМА ПРОФІЛАКТИЧНОГО ТЕХНІЧНОГО ОБСЛУГОВУВАННЯ

КОМПОНЕНТ	ЧАСТОТА ОБСЛУГОВУВАННЯ	ОПЕРАЦІЯ З ОБСЛУГОВУВАННЯ
Фільтри	Потрібно очищати або замінити раз у рік або за потреби (перевіряти цілісність)	Очистіть фільтри (ДИВ. РОЗДІЛ "ЧИЩЕННЯ ФІЛЬТРІВ")
Паливний фільтр	Потрібно очищати або замінити раз у рік або за потреби (перевіряти цілісність)	Зверніться у сервісний центр
Електроди	Очищати за потреби	Зверніться у сервісний центр
Вентилятор	Очищати за потреби	Зверніться у сервісний центр
Камера згоряння	Очищати за потреби	Зверніться у сервісний центр

►►► 16. ПОШУК НЕСПРАВНОСТЕЙ

НЕСПРАВНІСТЬ	МОЖЛИВА ПРИЧИНА	МОЖЛИВЕ РІШЕННЯ
Нагрівач не запускається або не залишається ввімкненим	<ol style="list-style-type: none"> 1. Перемикач вмикання в положенні "0" 2. Відсутнє живлення 3. Шнур живлення пошкоджений 4. Електроніка, яку потрібно перезапустити, або з дефектом 5. Неправильні налаштування термостату температури середовища (в разі наявності) 6. Відсутність пального 7. Наявність сторонніх речовин в баку 8. Температура, встановлена на цифровому термостаті, занадто висока 9. Електроніка заблокована 	<ol style="list-style-type: none"> 1. Встановіть перемикач в положення "ПОЛУМ'Я" (С МАЛ. 3) 2a. Правильно вставте шнур живлення в розетку (МАЛ. 5) 2b. Перевірте правильність напруги вашого обладнання 3. Зверніться у сервісний центр 4a. Перезапустіть нагрівач (ДИВ. РОЗДІЛ "ПЕРЕЗАПУСК НАГРІВАЧА") 4b. Зверніться у сервісний центр 5. Налаштуйте термостат, встановивши температуру, вищу за температуру робочого приміщення (МАЛ. 6) 6. Заповніть палим та перезапустіть нагрівач, якщо необхідно (ДИВ. РОЗДІЛ "ПЕРЕЗАПУСК НАГРІВАЧА") 7a. Злийте пальне з баку і заповніть бак чистим палим 7b. Очистіть фільтри (ДИВ. РОЗДІЛ "ЧИЩЕННЯ ФІЛЬТРІВ") 7c. Зверніться у сервісний центр 8. Знизити задану температуру цифрового термостата (ДИВ. РОЗДІЛ "КОНФІГУРАЦІЯ ЕЛЕКТРОННОГО РЕГУЛЯТОРА") 9. Скиньте електроніку (ДИВ. РОЗДІЛ "ПЕРЕЗАПУСК НАГРІВАЧА")
Під час роботи нагрівача утворюється дим	<ol style="list-style-type: none"> 1. Наявність сторонніх речовин в баку 2. Закупорення отвору впуску повітря 	<ol style="list-style-type: none"> 1a. Злийте пальне з баку і заповніть бак чистим палим 1b. Очистіть фільтри (ДИВ. РОЗДІЛ "ЧИЩЕННЯ ФІЛЬТРІВ") 1c. Зверніться у сервісний центр 2. Видаліть всі можливі перешкоди в повітрязабірнику
Нагрівач не вимикається	<ol style="list-style-type: none"> 1. Температура, встановлена на цифровому термостаті, занадто низька 2. Дефект електроніки 	<ol style="list-style-type: none"> 1. Підвищити задану температуру цифрового термостата (ДИВ. РОЗДІЛ "КОНФІГУРАЦІЯ ЕЛЕКТРОННОГО РЕГУЛЯТОРА") 2. Зверніться у сервісний центр

VAŽNO: PROČITAJTE I SHVATITE OVAJ RADNI PRIRUČNIK PRIJE NEGO ŠTO OBAVITE SASTAVLJANJE, PUŠTANJE U RAD ILI ODRŽAVANJE OVOG GRIJAČA. NEPROPISNO KORIŠTENJE GRIJAČA MOŽE DOVESTI DO OZBILJNIH ILI KOBNIH POVREDA. ČUVAJTE OVAJ PRIRUČNIK DA BISTE GA MOGLI U BUDUĆNOSTI KONSULTOVATI.


▶▶▶ 1. OPIS


Ova serija grijača toplog vazduha je posebno pogodna za grijanje prostorija ili prostora, sa srednjim ili velikim dimenzijama.

Grijači sa indirektnim grijanjem (SL. 1) zahvaljujući unutrašnjem izmjenjivaču toplote, oni omogućavaju odvajanje gasova sagorijevanja od vrućeg vazduha koji se unosi u prostor. Na taj način je moguće imati protok čistog, vrućeg vazduha u mjesto koje će se grijati i prenošenje produkata sagorijevanja napolje.

Ovi grijači toplog vazduha su projektovani u skladu sa najsavremenijim kriterijumima sigurnosti, funkcionalnosti i trajnosti. Sigurnosni uređaji uvijek garantuju pravilno funkcionisanje grijača.

▶▶▶ 2. INFORMACIJE O SIGURNOSTI UPOZORENJA

 **VAŽNO:** Ovaj grijač vazduha je dizajniran za mobilne i privremene profesionalne aplikacije. Nije dizajniran za kućnu upotrebu niti za toplotnu udobnost ljudi.

 **VAŽNO:** Ovaj aparat nije namijenjen korištenju od strane osoba (uključujući i djecu) koje imaju smanjene fizičke, senzorne i mentalne sposobnosti osim u slučaju da ih nadgleda osoba odgovorna za njihovu sigurnost. Morate kontrolisati djecu da se ne bi igrala sa aparatom.

 **OPASNOST:** Gušenje ugljen-monoksidom može da bude fatalno.

Prvi simptomi gušenja ugljik-monoksidom liče na one gripa, sa glavoboljom, vrtoglavicom i/ili mučninom. Takve simptome može uzrokovati nepravilan rad grijača. U SLUČAJU POJAVE OVIH SIMPTOMA, ODMAH IZAĐITE NA OTVORENI PROSTOR i popravite grijač u servisnoj službi.

▶▶▶ 2.1. PUNJENJE GORIVA:

- ▶ 2.1.1. Osoblje za punjenje goriva mora biti osposobljeno i potpuno upoznato sa uputstvima proizvođača i važećim propisima koji se odnose na sigurno punjenje grijača.
- ▶ 2.1.2. Koristite samo vrstu goriva koja se jasno navodi na identifikacionoj pločici grijača.
- ▶ 2.1.3. Prije punjenja, isključite grijač i sačekajte da se ohladi.
- ▶ 2.1.4. Cisterne za skladištenje goriva se moraju nalaziti u odvojenom objektu.
- ▶ 2.1.5. Svi rezervoari za gorivo se moraju nalaziti na minimalnoj sigurnosnoj udaljenosti od grijača, u skladu sa važećim propisima.
- ▶ 2.1.6. Gorivo treba skladištiti u prostorijama u kojima pod ne dozvoljava prodiranje i kapanje

na plamen ispod, što može dovesti do toga da se upali.

- ▶ 2.1.7. Skladištenje goriva se mora obavljati u skladu sa važećim propisima.
- ▶▶▶ **2.2. SIGURNOST:**
- ▶ 2.2.1. Nikada nemojte koristiti grijač u područjima gdje su prisutni benzin, rastvarači ili druga visoko zapaljiva para.
- ▶ 2.2.2. Tokom korištenja grijača, pridržavajte se svih lokalnih propisa i važećih standarda.
- ▶ 2.2.3. Grijači korišteni u blizini cerada, tenda ili ostalih sličnih materijala za pokrivanje se moraju postaviti na sigurnosnu udaljenost od istih. Takođe je poželjno koristiti materijale za zaštitu od požara.
- ▶ 2.2.4. Koristite samo u dobro provjetrenim prostorima. Pripremite prikladan otvor u skladu sa važećim propisima na način da se ubacuje svježi vazduh izvana.
- ▶ 2.2.5. Napajajte grijač samo strujom koja ima napon i frekvenciju navedene na identifikacionoj pločici.
- ▶ 2.2.6. Koristite samo produžetke prikladno spojene na uzemljenje.
- ▶ 2.2.7. Preporučene minimalne sigurnosne udaljenosti između grijača i zapaljivih tvari su: prednji izlaz = 2,5 m; sa strane, gore i pozadi = 1,5 m.
- ▶ 2.2.8. Postavite topli grijač, ili dok radi na ravnu i stabilnu površinu da bi se izbjegla opasnost od požara.
- ▶ 2.2.9. Držite životinje na sigurnosnoj udaljenosti od grijača.
- ▶ 2.2.10. Iskopčajte grijač iz mrežne utičnica kada ga ne koristite.
- ▶ 2.2.11. Kada ga kontrolira neki termostat, grijač se može uključiti u bilo kom trenutku.
- ▶ 2.2.12. Nikada ne koristite grijač u prostorijama u kojima se često boravi, kao ni u spavaćim sobama.
- ▶ 2.2.13. Nikada ne blokirajte otvor za dovod vazduh niti onaj za odvod vazduha iz grijača.
- ▶ 2.2.14. Kada je grijač topao, ukopčan na električnu mrežu ili kada radi, nikada se ne smije pomjerati, njime rukovati, puniti gorivom nije izlagati bilo kakvoj intervenciji održavanja.
- ▶ 2.2.15. Izbjegavajte sprovođenje ulaznog i/ili izlaznog vazduha sa kompletima koji nisu originalni (tamo gdje se to predviđa).
- ▶ 2.2.16. Držite odgovarajuću udaljenost od zapaljivih materijala, ili onih termolabilnih (uključujući kabl za napajanje) od vrućih dijelova grijača.
- ▶ 2.2.17. Ako je kabl za napajanje oštećen, mora ga zamijeniti centar za tehničku pomoć, kako bi se spriječio bilo kakav rizik.

- ▶ 2.2.18. Tokom rada, vodite računa da su protivpožarni uređaji spremni za upotrebu.
- ▶ 2.2.19. Ako se gorionik mora zamijeniti, koristite originalne rezervne dijelove, pažljivo poštuju kapacitet, tip mlaznica i pritisak pumpe. Povećanje snage gorionika može oštetiti grijač.

▶▶▶ 3. UKLANJANJE AMBALAŽE

UPOZORENJE: MATERIJAL ZA PAKOVANJE NIJE IGRAČKA ZA DJECU. DRŽITE PLASTIČNU KESICU DALEKO OD DOMAŠAJA DJECE; POSTOJI OPASNOST OD GUŠENJA!

- ▶ 3.1. Uklonite sav ambalažni materijal korišten za pakovanje i slanje grijača. Odložite u skladu sa važećim propisima.
- ▶ 3.2. Ako je grijač postavljen na platformu, lagano ga spustite pomoću odgovarajućih uređaja i instrumenata, u skladu sa nacionalnim propisima i u skladu sa važećim propisima. Moguće ga je podići viljuškarom pomoću odgovarajućih lanaca i kuka (grijač je opremljen metalnim prstenovima).
- ▶ 3.3. Provjerite da li je došlo do oštećenja tokom transporta. Ako primijetite oštećenja na grijaču, odmah o tome obavijestite prodavača kod kojeg ste ga kupili.

▶▶▶ 4. SASTAVLJANJE

(SL. 2)

Ovi grijači su opremljeni ručkama, kukama, nosačima itd. ovisno o modelu. Ove komponente, zajedno sa odgovarajućim vijcima za montažu, nalaze se u ambalaži grijača.

▶▶▶ 5. GORIVO

UPOZORENJE: GRIJAČ RADI SAMO NA DIZEL GORIVO ILI KEROZIN.

Koristite samo dizel gorivo ili kerozin na način da se izbjegnju rizici od požara ili eksplozije. Nikada nemojte koristiti benzin, naftu, rastvarače za boje, alkohol ili druga lako zapaljiva goriva.

Koristite netoksične anti-friz aditive u slučaju veoma niskih temperatura.

Preporučujemo korištenje dizel goriva prilagođenog zimskim uslovima ispod 5°C.

▶▶▶ 6. PRINCIPI RADA

Pumpa gorionika vuče gorivo iz rezervoara i šalje ga u mlaznicu pod pritiskom, gdje se raspršuje i miješa sa vazduhom za sagorijevanje u komori za sagorijevanje. Iskra aktivira sagorijevanje, dok se dimni otpad izbacuje iz dimnjaka. Niz senzora stalno provjerava pravilno funkcionisanje grijača, zaustavljajući ciklus u slučaju anomalija. Ventilator, pozicioniran u zadnjem dijelu grijača, ima za cilj da hladi komoru za sagorijevanje i rotor i prenosi toplotu iz ovog posljednjeg u okolinu.

▶▶▶ 7. KONTROLNI PANEL

(SL. 3)

- A. Elektronski kontroler.
- B. Brojač sati.
- C. Prekidač za uključivanje.
- D. Dugme za kontrolu ventilacije.
- E. Lampica prisustva električnog napona.
- F. Lampica za alarm blokade gorionika.
- G. Lampica za alarm blokade ventilacije.
- H. Upozoravajuća lampica za previsoku temperaturu.
- I. Reset termostata za previsoku temperaturu.
- L. Konektor gorionika.
- M. Osigurač.
- N. Konektor daljinskog prostornog termostata.

▶▶▶ 8. RADU

UPOZORENJE: PAŽLJIVO PROČITAJTE "INFORMACIJE O SIGURNOSTI", PRIJE NEGO ŠTO UKLJUČITE GRIJAČ.

▶▶▶ 8.1. UKLJUČIVANJE GRIJAČA:

- ▶ 8.1.1. Pridržavajte se svih uputstava koja se odnose na sigurnost.
- ▶ 8.1.2. Priključite cijevi za gorivo u skladu sa pravilnim ulaznim i izlaznim priključcima (SL. 4).
- ▶ 8.1.3. Provjerite da ima goriva u rezervoaru.
- ▶ 8.1.4. Spojite utikač za napajanje u električnu mrežu (SL. 5) (POGLEDAJTE NAPON NA "TABELI TEHNIČKIH PODATAKA").
- ▶ 8.1.5. Okrenite prekidač za uključivanje u položaj "PLAMENA" (C SL. 3). Grijač se mora uključiti u roku od nekoliko sekundi. Ako se grijač ne pokrene, pogledajte odjeljak "PRONALAZENJE PROBLEMA".
- ▶ 8.1.6. Grijač se može koristiti u režimu ventilacije, da biste aktivirali ovu funkciju, postavite prekidač za uključivanje u položaj "VENTILATOR" (C SL. 3).
- ▶ 8.1.7. Grijač ima jedno dugme koje omogućuje kontrolu ventilacije (D SL. 3).
 - AKTIVNO DUGME: Ventilacija radi bez prekida (idealno za ekstremne uslove korištenja).
 - NEAKTIVNO DUGME: Ventilacija radi automatski (normalni rad).
- ▶ 8.1.8. Za modele sa sobnim termostatom provjerite podešenu temperaturu (SL. 6).

NAPOMENA: U SLUČAJU ISKLJUČIVANJA GRIJAČA ZBOG NEDOSTATKA GORIVA, NAPUNITE REZERVOAR I RESETUJTE GRIJAČ (VIDI ODJELJ. "RESET GRIJAČA").

VAŽNO: NA INDIRECTNIM MODELIMA, PRODUKTI SAGORIJEVANJA SE MOGU SPROVESTI CIJEVIMA VANI. OBAVITE SPROVOĐENJE CIJEVIMA PREMA PRIMJENJIVIM ZAKONIMA I POŠTUJTE INDIKACIJE NAVEDENE U ODGOVARAJUĆEM ODJELJKU PRIRUČNIKA.

▶▶▶ 8.2. ISKLJUČIVANJE GRIJAČA:

Okrenite prekidač za uključivanje u položaj "0" (C SL. 3). Plamen se gasi i ventilator nastavlja da radi dok se komora za sagorijevanje potpuno ne ohladi. Nemojte isključivati električni utikač dok se ciklus hlađenja ne završi.

▶▶▶ 9. RESET GRIJAČA

Ako se pojavi anomalija tokom normalnog rada, grijač se isključuje.

Za ponovno pokretanje grijača, uzrok blokade mora biti identifikovan i eliminisan (na primjer, ometanje ulaznog dovoda vazduha i/ili odvoda istog, zaustavljanje ventilatora, nedostatak goriva, itd.). Ako ne možete eliminisati problem koji je izazvao blokadu, neka interveniše centar za tehničku pomoć.

Da bi se grijač resetovao, savjetuje se da se pridržavate sljedeće procedure: (pratite sva uputstva za sigurnost):

- ▶ **RESET TERMOSTATA ZA PREVISOKU TEMPERATURU** [Lampica je uključena (H SL. 3)]: Grijač je dostigao maksimalnu temperaturu rada. Da biste resetovali grijač, uklonite uzrok koji je izazvao blokadu (ako je potrebno, kontaktirate servisni centar), uklonite poklopac (SL. 7), odvijte čep i pritisnite do kraja dugme (I SL. 3). U nastavku, ponovo zavrnite čep i vratite poklopac (SL. 8).
- ▶ **RESET GORIONIKA** [Uključena je lampica (F SL. 3) (SL. 9)]: Gorionik je imao neku anomaliju u radu. Da biste resetovali gorionik, uklonite uzrok koji je izazvao blokadu (ako je potrebno, kontaktirate servisni centar), uklonite poklopac (SL. 7) i pritisnite do kraja dugme (SL. 10). U nastavku, vratite poklopac (SL. 8).
- ▶ **RESET MOTORA ZA VENTILACIJU** [Lampica je uključena (G SL. 3)]: Motor za ventilaciju je blokiran ili radi na nenormalan način. Da biste resetovali grijač, okrenite prekidač za uključivanje u položaj "0" (C SL. 3), uklonite uzrok koji je izazvao blokadu (ako je potrebno, kontaktirate servisni centar) i ponovo uključite grijač.

▶▶▶ 10. KONFIGURACIJA ELEKTRONSKOG KONTROLERA

VAŽNO: ELEKTRONSKI KONTROLER (VEĆ POSTAVLJEN OD STRANE PROIZVOĐAČA), AKO SE PONOVO NE RESETUJE, NE UTJEČE NA PRAVILAN RAD GRIJAČA.

Elektronski kontroler (A SL. 3) kontroliše uključivanje i isključivanje ventilacije u fazi predzagrijavanja i naknadne ventilacije grijača.

U zavisnosti od temperature okoline (veoma hladno vrijeme ili veoma toplo vrijeme, **POGLEDAJTE TAB. "KONFIGURACIJA ELEKTRONSKOG KONTROLERA"**), možda će biti potrebno modifikovati referentni parametar.

Procedura konfiguracije:

- ▶ 10.1. Uvjerite se da je prekidač za uključivanje u položaju "0", a električni utikač priključen na mrežu.
- ▶ 10.2. Izvršite sljedeću sekvencu tastera:
 - Pritisnite taster "SET".
 - Prikažite "SP2" navigacijom pomoću tastera "▼" / "▲".
 - Pritisnite taster "SET" da biste ušli.
 - Podesite željenu temperaturu tasterima "▼" / "▲".
 - Pritisnite taster "SET" da biste potvrdili.

VAŽNO: ELEKTRONSKI KONTROLER NEMA FUNKCIJU PROSTORNOG TERMOSTATA.

▶▶▶ 11. ČIŠĆENJE FILTERA

▶▶ 11.1. FILTER ZA USIS, ZAVISNO OD MODELA: (SL. 11)

Zavisno od kvalitete korištenog goriva, možda će se filteri morati očistiti:

- ▶ 11.1.1. Uklonite čašu (A).
- ▶ 11.1.2. Izvadite filter (B) iz čaše, pazite da očuvate zaptivače.
- ▶ 11.1.3. Očistite filter (B) čistim gorivom, pazite da ga ne oštetite.
- ▶ 11.1.4. Ponovo postavite filter (B) u čašu.
- ▶ 11.1.5. Ponovo postavite čašu (A) i pazite da pravilno postavite zaptivače.

▶▶ 11.2. FILTER PUMPE ZA GORIVO:

Pogledajte program preventivnog održavanja.

▶▶▶ 12. ČUVANJE I TRANSPORT

UPOZORENJE: PRIJE BILO KAKVOG POMJERANJA, POTREBNO JE ZAUSTAVITI GRIJAČ (POGLEDAJTE ODJ."ISKLUČIVANJE GRIJAČA"), ISKOPČATI ELEKTRIČNO NAPAJANJE NA NAČIN DA SE IZVUČE UTIKAČ IZ STRUJNE UTIČNICE (SL. 12) I SAČEKAJTE DA SE GRIJAČ U POTPUNOSTI OHLADI. KADA SE GRIJAČ POMJERA, DRŽITE GA UVIJEK U RAVNOM POLOŽAJU.

Da bi se grijač što bolje očuvao, savjetuje se da se pridržavate sljedeće procedure: (pratite sva uputstva za sigurnost):

- ▶ 12.1. Moguće ga je podići viljuškarom pomoću odgovarajućih lanaca i kuka (grijač je opremljen metalnim prstenovima).
- ▶ 12.2. Da bi se grijač što bolje očuvao, savjetuje se da ga odložite na suvo mjesto zaštićeno od mogućih oštećenja.

▶▶▶ 13. POVEZIVANJE PROSTORNOG TERMOSTATA

Kod modela sa priključkom na prostorni termostat, izvadite utikač priključen na grijač i priključite prostorni termostat (opciono) (SL. 13-14).

▶▶▶ 14. SAVJETI ZA SPROVOĐENJE CIJEVIMA

VAŽNO: IZBJEGAVAJTE SPROVOĐENJE ULAZNOG I/ILI IZLAZNOG VAZDUHA SA KOMPLETIMA KOJI NISU ORIGINALNI (TAMO GDJE SE TO PREDVIĐA). Da bi se izbjegli problemi sa radom grijača ili povreda ljudi, potrebno je obratiti pažnju na raspored cijevi za sprovođenje vazduha. Da bi se smanjio otpor protoka vazduha, preporučljivo je postaviti cijevi za sprovođenje na način da se smanji broj zavoja i izbjegniju savijanja pod ostrim uglovima. Prvi metri moraju biti bez zavoja.

UPOZORENJE: PRIJE OBAVLJANJA BILO KAKVOG ODRŽAVANJA ILI POPRAVLJANJA, ISKOPČAJTE KABL ZA NAPAJANJE IZ ELEKTRIČNE MREŽE I UVJERITE SE DA JE GRIJAČ HLADAN.

►►► 15. PROGRAM PREVENTIVNOG ODRŽAVANJA

KOMPONENTA	UČESTALOST ODRŽAVANJA	PROCEDURA ODRŽAVANJA
Filteri	Očistite ili zamijenite jedan put na godinu ili zavisno od potreba (provjerite neoštećenost)	Očistite filtere (POGLEDAJTE ODJ. "ČIŠĆENJE FILTERA")
Filter pumpe za gorivo	Očistite ili zamijenite jedan put na godinu ili zavisno od potreba (provjerite neoštećenost)	Kontaktirajte servisni centar
Elektrode	Očistite zavisno od potreba	Kontaktirajte servisni centar
Ventilator	Očistite zavisno od potreba	Kontaktirajte servisni centar
Komora za sagorijevanje	Očistite zavisno od potreba	Kontaktirajte servisni centar

►►► 16. PRONALAZENJE PROBLEMA

PROBLEM	MOGUĆI UZROK	MOGUĆE RJEŠENJE
Grijač se ne pokreće ili ne ostaje uključen	<ol style="list-style-type: none"> 1. Prekidač za uključivanje u položaj "0" 2. Nema napajanja 3. Prekid kabla za napajanje 4. Elektronika koja se treba resetovati ili je neispravna 5. Pogrešno podešavanje prostornog termostata (tamo gdje postoji) 6. Nema goriva 7. Prisustvo stranih supstanci u krugu za gorivo 8. Temperatura podešena na digitalnom termostatu je previsoka 9. Elektronika je u stanju blokade 	<ol style="list-style-type: none"> 1. Okrenite prekidač za uključivanje u položaj "PLAMENA" (C SL. 3) 2a. Pravilno ukopčajte kabl za napajanje u utičnicu električne mreže (SL. 5) 2b. Provjerite je li ispravan napon vašeg sistema 3. Kontaktirajte servisni centar 4a. Resetujte grijač (POGLEDAJTE ODJ. "RESET GRIJAČA") 4b. Kontaktirajte servisni centar 5. Djelujte na prostornom termostatu tako da postavite temperaturu na viši nivo od onog radnog prostora (SL. 6) 6. Ponovo napunite gorivom i resetujte grijač ako je potrebno (POGLEDAJTE ODJ. "RESET GRIJAČA") 7a. Ispraznite i isperite rezervoar čistim gorivom 7b. Očistite filtere (POGLEDAJTE ODJ. "ČIŠĆENJE FILTERA") 7c. Kontaktirajte servisni centar 8. Spustite temperaturu podešenu na digitalnom termostatu (POGLEDAJTE ODJ. "KONFIGURACIJA ELEKTRONSKOG KONTROLERA") 9. Resetujte elektroniku (POGLEDAJTE ODJ. "RESET GRIJAČA")
Grijač stvara dim tokom rada	<ol style="list-style-type: none"> 1. Prisustvo stranih supstanci u krugu za gorivo 2. Začepljenje dovoda vazduha na ulazu 	<ol style="list-style-type: none"> 1a. Ispraznite i isperite rezervoar čistim gorivom 1b. Očistite filtere (POGLEDAJTE ODJ. "ČIŠĆENJE FILTERA") 1c. Kontaktirajte servisni centar 2. Uklonite sve ono što ometa otvor za vazduh
Grijač se ne isključuje	<ol style="list-style-type: none"> 1. Temperatura podešena na digitalnom termostatu je preniska 2. Elektronika nije ispravna 	<ol style="list-style-type: none"> 1. Podignite temperaturu podešenu na digitalnom termostatu (POGLEDAJTE ODJ. "KONFIGURACIJA ELEKTRONSKOG KONTROLERA") 2. Kontaktirajte servisni centar

ΣΗΜΑΝΤΙΚΟ: ΔΙΑΒΑΣΤΕ ΚΑΙ ΚΑΤΑΝΟΗΣΤΕ ΑΥΤΟ ΤΟ ΛΕΙΤΟΥΡΓΙΚΟ ΕΓΧΕΙΡΙΔΙΟ ΠΡΙΝ ΝΑ ΠΡΟΧΩΡΗΣΤΕ ΣΤΗ ΣΥΝΑΡΜΟΛΟΓΗΣΗ, ΤΗ ΛΕΙΤΟΥΡΓΙΑ Ή ΤΗ ΣΥΝΤΗΡΗΣΗ ΑΥΤΟΥ ΤΟΥ ΘΕΡΜΑΝΤΗΡΑ. Η ΕΣΦΑΛΜΕΝΗ ΧΡΗΣΗ ΤΟΥ ΘΕΡΜΑΝΤΗΡΑ ΜΠΟΡΕΙ ΝΑ ΠΡΟΚΑΛΕΣΕΙ ΣΟΒΑΡΟΥΣ ΤΡΑΥΜΑΤΙΣΜΟΥΣ. ΦΥΛΑΞΤΕ ΤΟ ΕΓΧΕΙΡΙΔΙΟ ΣΕ ΠΕΡΙΠΤΩΣΗ ΜΕΛΛΟΝΤΙΚΗΣ ΑΝΑΦΟΡΑΣ

▶▶▶ 1. ΠΕΡΙΓΡΑΦΗ

Αυτή η σειρά των θερμαντήρων ζεστού αέρα ενδείκνυται ιδιαίτερα για τη θέρμανσης δωματίων ή χώρων μεσαίων ή μεγάλων διαστάσεων.

Οι θερμαντήρες έμμεσης θέρμανσης (ΕΙΚ. 1), χάρη σε έναν εσωτερικό εναλλάκτη θερμότητας, έχουν τη δυνατότητα να διαχωρίζουν το αέριο καύσης από τον ζεστό αέρα που εισάγεται στο περιβάλλον. Με τον τρόπο αυτό μπορείτε να έχετε ένα καθαρό ζεστό ρεύμα αέρα στο χώρο που πρόκειται να θερμανθεί και τη μεταφορά έξω των προϊόντων εκκένωσης.

Αυτοί οι θερμαντήρες ζεστού αέρα έχουν σχεδιαστεί σύμφωνα με τα πιο μοντέρνα κριτήρια ασφαλείας, λειτουργικότητας και διάρκειας. Οι διατάξεις ασφαλείας εξασφαλίζουν πάντα τη σωστή λειτουργία του θερμαντήρα.

▶▶▶ 2. ΠΛΗΡΟΦΟΡΙΕΣ ΓΙΑ ΤΗΝ ΑΣΦΑΛΕΙΑ ΠΡΟΕΙΔΟΠΟΙΗΣΕΙΣ



ΣΗΜΑΝΤΙΚΟ: Αυτός ο αεροθερμαντήρας έχει σχεδιαστεί για κινητές και προσωρινές επαγγελματικές εφαρμογές. Δεν έχει σχεδιαστεί για οικιακή χρήση ούτε για την προσωπική θερμική άνεση.



ΣΗΜΑΝΤΙΚΟ: Αυτή η συσκευή δεν είναι κατάλληλη για χρήση από άτομα (συμπεριλαμβανομένων των παιδιών) με μειωμένες σωματικές, αισθητηριακές ή διανοητικές ικανότητες, ή με απειρία, εκτός αν επιβλέπονται από ένα πρόσωπο υπεύθυνο για την ασφάλειά τους. Τα παιδιά θα πρέπει να ελέγχονται, έτσι ώστε να εξασφαλίζεται ότι δεν παίζουν με τη συσκευή.



ΚΙΝΔΥΝΟΣ: Η ασφυξία από το μονοξείδιο του άνθρακα μπορεί να αποβεί μοιραία.

Τα πρώτα συμπτώματα της ασφυξίας από το μονοξείδιο του άνθρακα μοιάζουν με αυτά της γρίπης, με πονοκεφάλους, ζάλη ή / και ναυτία. Τέτοιου είδους συμπτώματα μπορεί να προκληθούν από τη δυσλειτουργία του θερμαντήρα. ΣΕ ΠΕΡΙΠΤΩΣΗ ΠΟΥ ΠΑΡΟΥΣΙΑΣΤΟΥΝ ΤΑ ΣΥΜΠΤΩΜΑΤΑ ΑΥΤΑ, ΒΓΕΙΤΕ ΑΜΕΣΩΣ ΕΞΩ και αναθέστε την επισκευή του θερμαντήρα στην υπηρεσία τεχνικής υποστήριξης.

▶▶▶ 2.1. ΠΛΗΡΩΣΗ:

- ▶ 2.1.1. Το προσωπικό που έχει αναλάβει το γέμισμα πρέπει να είναι εξειδικευμένο και πλήρως εξοικειωμένο με τις οδηγίες του κατασκευαστή και την ισχύουσα νομοθεσία σχετικά με το ασφαλές γέμισμα των θερμαντήρων.
- ▶ 2.1.2. Χρησιμοποιείτε μόνο τον τύπο του καυσίμου που ορίζεται ρητά στην πινακίδα αναγνώρισης του θερμαντήρα.
- ▶ 2.1.3. Πριν εκτελέσετε το γέμισμα, σβήστε το θερμαντήρα και περιμένετε να κρυώσει.
- ▶ 2.1.4. Οι δεξαμενές αποθήκευσης του καυσίμου πρέπει να βρίσκονται σε ξεχωριστή εγκατάσταση.

- ▶ 2.1.5. Όλες οι δεξαμενές καυσίμου πρέπει να βρίσκονται σε ελάχιστη απόσταση ασφαλείας από το θερμαντήρα σύμφωνα με τους ισχύοντες νόμους.
 - ▶ 2.1.6. Το καύσιμο πρέπει να φυλάσσεται σε χώρους όπου το πάτωμα δεν επιτρέπει τη διείσδυση και το στάξιμο στις φλόγες που βρίσκονται από κάτω οι οποίες μπορεί να προκαλέσουν ανάφλεξη.
 - ▶ 2.1.7. Η αποθήκευση του καυσίμου πρέπει να γίνεται σύμφωνα με την ισχύουσα νομοθεσία.
- ▶▶▶ 2.2. ΑΣΦΑΛΕΙΑ:**
- ▶ 2.2.1. Μη χρησιμοποιείτε ποτέ το θερμαντήρα σε χώρους όπου υπάρχει βενζίνη, διαλυτικά χρωμάτων ή άλλοι υψηλά εύφλεκτοι ατμοί.
 - ▶ 2.2.2. Κατά τη διάρκεια της χρήσης του θερμαντήρα, ακολουθήστε όλους τους τοπικούς κανονισμούς και την ισχύουσα νομοθεσία.
 - ▶ 2.2.3. Οι θερμαντήρες που χρησιμοποιούνται κοντά σε μουσαμάδες, κουρτίνες ή άλλα παρόμοια υλικά καλύμματος, πρέπει να τοποθετούνται σε απόσταση ασφαλείας από αυτά. Σας συνιστούμε επίσης να χρησιμοποιείτε υλικά καλύμματος πυρίμαχου τύπου.
 - ▶ 2.2.4. Να χρησιμοποιείτε μόνο σε χώρους που αερίζονται καλά. Φροντίστε να δημιουργήσετε ένα κατάλληλο άνοιγμα σύμφωνα με τους ισχύοντες κανονισμούς με σκοπό την εισαγωγή φρέσκου αέρα από έξω.
 - ▶ 2.2.5. Τροφοδοτήστε το θερμαντήρα μόνο με το ρεύμα τάσης και συχνότητας που προσδιορίζεται στην πινακίδα αναγνώρισης.
 - ▶ 2.2.6. Χρησιμοποιείτε μόνο καλωδιακές επεκτάσεις κατάλληλα γειωμένες.
 - ▶ 2.2.7. Ελάχιστες αποστάσεις ασφαλείας που συνιστανται μεταξύ του θερμαντήρα και των εύφλεκτων ουσιών είναι: μπροστινή έξοδος = 2,5 m, στο πλάι, επάνω και πίσω = 1,5 m.
 - ▶ 2.2.8. Τοποθετήστε το ζεστό θερμαντήρα ή σε λειτουργία σε σταθερή, επίπεδη επιφάνεια, έτσι ώστε να μην υπάρχει κίνδυνος πυρκαγιάς.
 - ▶ 2.2.9. Κρατήστε τα ζώα σε απόσταση ασφαλείας από το θερμαντήρα.
 - ▶ 2.2.10. Αποσυνδέστε το θερμαντήρα από την ηλεκτρική πρίζα, όταν δεν το χρησιμοποιείτε.
 - ▶ 2.2.11. Όταν ελέγχεται από έναν θερμοστάτη ο θερμαντήρας μπορεί να ανάψει οποιαδήποτε στιγμή.
 - ▶ 2.2.12. Μη χρησιμοποιείτε ποτέ το θερμαντήρα σε δωμάτια που κατοικούνται συχνά και σε υπνοδωμάτια.
 - ▶ 2.2.13. Μη μπλοκάρτε ποτέ τη λήψη του αέρα, ούτε την έξοδο του αέρα του θερμαντήρα.
 - ▶ 2.2.14. Όταν ο θερμαντήρας είναι ζεστός ή συνδεδεμένος στο ηλεκτρικό ρεύμα ή σε λειτουργία δεν θα πρέπει σε καμιά περίπτωση να μετακινείται, να χρησιμοποιείται ή να υποβάλλεται σε οποιαδήποτε εργασία συντήρησης.
 - ▶ 2.2.15. Αποφύγετε τη διοχέτευση του αέρα εισόδου ή/ και εξόδου χωρίς τα γνήσια kit (όπου προβλέπονται).
 - ▶ 2.2.16. Κρατήστε τη σωστή απόσταση από τα εύφλεκτα ή θερμοδιασπόμενα υλικά (συμπεριλαμβανομένου του καλωδίου τροφοδοσίας) από τα ζεστά μέρη του θερμαντήρα.

- ▶2.2.17. Αν το καλώδιο τροφοδοσίας έχει υποστεί ζημιά θα πρέπει να αντικαθίσταται από την υπηρεσία τεχνικής υποστήριξης προκειμένου να αποφευχθεί κάθε κίνδυνος.
- ▶2.2.18. Κατά τη λειτουργία, βεβαιωθείτε ότι οι διατάξεις πυροπροστασίας είναι έτοιμες για χρήση.
- ▶2.2.19. Σε περίπτωση αντικατάστασης του καυστήρα, χρησιμοποιείτε γνήσια ανταλλακτικά, τηρείτε σχολαστικά τα όσα προβλέπονται για το ρυθμό ροής, τον τύπο των ακροφυσίων και την πίεση της αντλίας. Μια αύξηση της ισχύος του καυστήρα μπορεί να καταστρέψει το θερμαντήρα.

▶▶▶3. ΑΠΟΣΥΣΚΕΥΑΣΙΑ

ΠΡΟΕΙΔΟΠΟΙΗΣΗ: ΤΟ ΥΛΙΚΟ ΤΗΣ ΣΥΣΚΕΥΑΣΙΑΣ ΔΕΝ ΕΙΝΑΙ ΠΑΙΧΝΙΔΙ ΓΙΑ ΠΑΙΔΙΑ. ΚΡΑΤΗΣΤΕ ΤΗΝ ΠΛΑΣΤΙΚΗ ΣΑΚΟΥΛΑ ΜΑΚΡΙΑ ΑΠΟ ΤΑ ΠΑΙΔΙΑ. ΚΙΝΔΥΝΟΣ ΑΣΦΥΞΙΑΣ!

- ▶3.1. Αφαιρέστε όλα τα υλικά της συσκευασίας που χρησιμοποιήθηκαν για τη συσκευή και την αποστολή του θερμαντήρα. Απορρίψτε τα σύμφωνα με τους ισχύοντες κανονισμούς.
- ▶3.2. Σε περίπτωση που ο θερμαντήρας τοποθετείται σε πλατφόρμα, κατεβάστε τον απαλά χρησιμοποιώντας τις κατάλληλες διατάξεις και όργανα, σύμφωνα με τον εθνικό κανονισμό και την ισχύουσα νομοθεσία. Μπορείτε να τον ανασηκώσετε με το περονοφόρο όχημα ανύψωσης, χρησιμοποιώντας τις κατάλληλες αλυσίδες και γάντζους ανάρτησης (ο θερμαντήρας είναι εξοπλισμένος με κρίκους).
- ▶3.3. Ελέγξτε για τυχόν ζημιές κατά τη διάρκεια της μεταφοράς. Αν ο θερμαντήρας έχει υποστεί ζημιά, ειδοποιήστε αμέσως τον αντιπρόσωπο από όπου τον αγοράσατε.

▶▶▶4. ΣΥΝΑΡΜΟΛΟΓΗΣΗ

(ΕΙΚ. 2)

Αυτοί οι θερμαντήρες διαθέτουν λαβές, αναβολείς, υποστηρίγματα, κλπ. ανάλογα με το μοντέλο. Αυτά τα εξαρτήματα συμπεριλαμβανομένων και τους σχετικούς κοχλίες συναρμολόγησης βρίσκονται στην συσκευασία του θερμαντήρα.

▶▶▶5. ΚΑΥΣΙΜΟ

ΠΡΟΕΙΔΟΠΟΙΗΣΗ: Ο ΘΕΡΜΑΝΤΗΡΑΣ ΛΕΙΤΟΥΡΓΕΙ ΜΟΝΟ ΜΕ ΠΕΤΡΕΛΑΙΟ ΝΤΙΖΕΛ Ή ΚΗΡΟΖΙΝΗ.

Χρησιμοποιείτε μόνο πετρέλαιο ντίζελ ή κηροζίνη για να αποφύγετε τον κίνδυνο πυρκαγιάς ή έκρηξης. Μη χρησιμοποιείτε ποτέ βενζίνη, νάφθα, διαλυτικά για χρώματα, αλκοόλ ή άλλα πολύ εύφλεκτα καύσιμα.

Χρησιμοποιήστε μη τοξικά αντιψυκτικά πρόσθετα σε περίπτωση πολύ χαμηλών θερμοκρασιών.

Σας συνιστούμε να χρησιμοποιείτε πετρέλαιο το χειμώνα κάτω από 5°C.

▶▶▶6. ΑΡΧΕΣ ΛΕΙΤΟΥΡΓΙΑΣ

Η αντλία του καυστήρα, αναρροφά το καύσιμο από τη δεξαμενή και το αποστέλλει στο ακροφύσιο σε πίεση όπου εκνεφώνεται και αναμειγνύεται με τον αέρα καύσης στο θάλαμο καύσης. Μια σπίθα προκαλεί την καύση ενώ τα καυσαέρια αποβλήτων αποβάλλονται από την καμινάδα. Μια σειρά αισθητήρων ελέγχουν διαρκώς τη σωστή λειτουργία του θερμαντήρα, διακόπτοντας τον κύκλο σε περίπτωση ανωμαλιών. Ο ανεμιστήρας, που βρίσκεται στο πίσω μέρος του θερμαντήρα, έχει σκοπό την ψύξη του θαλάμου καύσης και των καυσαερίων, μεταφέροντας τη θερμότητα τους στο περιβάλλον.

▶▶▶7. ΠΙΝΑΚΑΣ ΕΛΕΓΧΟΥ

(ΕΙΚ. 3)

- A. Ηλεκτρονικός ρυθμιστής.
- B. Μετρητής.
- C. Διακόπτης ανάφλεξης.
- D. Κουμπί για τον έλεγχο του αερισμού.
- E. Λυχνία παρουσίας τάσης ηλεκτρισμού.
- F. Λυχνία συναγερμού εμπλοκής καυστήρα.
- G. Λυχνία συναγερμού εμπλοκής αερισμού.
- H. Λυχνία συναγερμού υπερθέρμανσης.
- I. Επαναφορά θερμοστάτη υπερθέρμανσης.
- L. Συνδετήρας καυστήρα.
- M. Ασφάλεια.
- N. Συνδετήρας θερμοστάτη εξαποστάσεως περιβάλλοντος.

▶▶▶8. ΛΕΙΤΟΥΡΓΙΑ

ΠΡΟΕΙΔΟΠΟΙΗΣΗ: ΔΙΑΒΑΣΤΕ ΠΡΟΣΕΚΤΙΚΑ ΤΙΣ "ΠΛΗΡΟΦΟΡΙΕΣ ΣΧΕΤΙΚΑ ΜΕ ΤΗΝ ΑΣΦΑΛΕΙΑ", ΠΡΙΝ ΕΝΕΡΓΟΠΟΙΗΣΕΤΕ ΤΟ ΘΕΡΜΑΝΤΗΡΑ.

▶▶8.1. ΑΝΑΦΛΕΞΗ ΤΟΥ ΘΕΡΜΑΝΤΗΡΑ:

- ▶8.1.1. Ακολουθείστε όλες τις οδηγίες σχετικά με την ασφάλεια.
 - ▶8.1.2. Συνδέστε τους σωλήνες καυσίμου τηρώντας τις σωστές συνδέσεις εισόδου και εξόδου (ΕΙΚ. 4).
 - ▶8.1.3. Βεβαιωθείτε ότι υπάρχουν καύσιμα στη δεξαμενή.
 - ▶8.1.4. Συνδέστε το φισ της τροφοδοσίας στο ηλεκτρικό δίκτυο (ΕΙΚ. 5) (ΔΕΙΤΕ ΤΑΣΗ ΣΤΗΝ "ΠΙΝΑΚΙΔΑ ΤΩΝ ΤΕΧΝΙΚΩΝ ΣΤΟΙΧΕΙΩΝ").
 - ▶8.1.5. Μεταφέρετε το διακόπτη ανάφλεξης στη θέση "ΦΛΟΓΑ" (C ΕΙΚ. 3). Ο θερμαντήρας θα πρέπει να ανάψει μέσα σε λίγα δευτερόλεπτα. Αν ο θερμαντήρας δεν ενεργοποιείται ανατρέξτε στην παράγραφο "ΕΝΤΟΠΙΣΜΟΣ ΠΡΟΒΛΗΜΑΤΩΝ".
 - ▶8.1.6. Ο θερμαντήρας μπορεί να χρησιμοποιείται στη λειτουργία αερισμού, για να ενεργοποιήσετε αυτή τη λειτουργία, βάλτε το διακόπτη ανάφλεξης στη θέση "ΑΝΕΜΙΣΤΗΡΑΣ" (C ΕΙΚ. 3).
 - ▶8.1.7. Ο θερμαντήρας διαθέτει ένα κουμπί που επιτρέπει τον έλεγχο της θερμοκρασίας (D ΕΙΚ. 3).
 - ΕΝΕΡΓΟΠΟΙΗΜΕΝΟ ΚΟΥΜΠΙ: Ο αερισμός λειτουργεί διαρκώς (ιδανικό για ακραίες συνθήκες χρήσης).
 - ΑΠΕΝΕΡΓΟΠΟΙΗΜΕΝΟ ΚΟΥΜΠΙ: Ο αερισμός λειτουργεί αυτόματα (κανονική λειτουργία).
 - ▶8.1.8. Για τα μοντέλα με θερμοστάτη περιβάλλοντος, ελέγξτε τη ρυθμισμένη θερμοκρασία (ΕΙΚ. 6).
- ΣΗΜΕΙΩΣΗ: ΣΕ ΠΕΡΙΠΤΩΣΗ ΑΠΕΝΕΡΓΟΠΟΙΗΣΗΣ ΤΟΥ ΘΕΡΜΑΝΤΗΡΑ ΛΟΓΩ ΕΞΑΝΤΛΗΣΗΣ ΤΟΥ ΚΑΥΣΙΜΟΥ, ΓΕΜΙΣΤΕ ΤΗ ΔΕΞΑΜΕΝΗ ΚΑΙ ΕΠΑΝΑΦΕΡΕΤΕ ΤΟ ΘΕΡΜΑΝΤΗΡΑ (ΔΕΙΤΕ ΠΑΡΑΓΡ. "ΕΠΑΝΑΦΟΡΑ ΤΟΥ ΘΕΡΜΑΝΤΗΡΑ").
- ΣΗΜΑΝΤΙΚΟ: ΣΤΑ ΕΜΕΣΑ ΜΟΝΤΕΛΑ, ΤΑ ΠΡΟΪΟΝΤΑ ΤΗΣ ΚΑΥΣΗΣ ΜΠΟΡΟΥΝ ΝΑ ΔΙΟΧΕΤΕΥΟΝΤΑΙ ΕΞΩ. ΕΚΤΕΛΕΣΤΕ ΤΗ ΔΙΟΧΕΤΕΥΣΗ ΣΥΜΦΩΝΑ ΜΕ ΤΟΝ ΚΑΝΟΝΙΣΜΟ ΠΟΥ ΙΣΧΥΕΙ ΚΑΙ ΤΗΡΗΣΤΕ ΤΙΣ ΟΔΗΓΙΕΣ ΠΟΥ ΑΝΑΦΕΡΟΝΤΑΙ ΣΤΗΝ ΕΙΔΙΚΗ ΕΝΟΤΗΤΑ ΤΟΥ ΕΓΧΕΙΡΙΔΙΟΥ.

▶▶8.2. ΑΠΕΝΕΡΓΟΠΟΙΗΣΗ ΤΟΥ ΘΕΡΜΑΝΤΗΡΑ:

Μεταφέρετε το διακόπτη ανάφλεξης στη θέση "0" (C ΕΙΚ. 3). Η φλόγα σβήνει και ο ανεμιστήρας συνεχίζει να λειτουργεί μέχρι την πλήρη ψύξη του θαλάμου καύσης. Μην αποσυνδέσετε την ηλεκτρική πρίζα πριν ολοκληρωθεί ο κύκλος ψύξης.

►►► 9. ΕΠΑΝΑΦΟΡΑ ΤΟΥ ΘΕΡΜΑΝΤΗΡΑ

Σε περίπτωση που παρουσιαστεί κάποια ανωμαλία κατά την κανονική λειτουργία ο θερμαντήρας απενεργοποιείται.

Για να θέσετε εκ νέου σε λειτουργία το θερμαντήρα θα πρέπει να εντοπίσετε και να εξαλείψετε την αιτία που προκάλεσε την εμπλοκή (για παράδειγμα απόφραξη της λήψης του αέρα εισόδου ή/και κατάθλιψης αέρα, στάση του ανεμιστήρα, απουσία καυσίμων, κλπ). Σε περίπτωση που δεν μπορείτε να εξαλείψετε το πρόβλημα που προκάλεσε την εμπλοκή καλέστε το κέντρο τεχνικής βοήθειας.

Για να επαναφέρετε το θερμαντήρα, σας συνιστούμε να ακολουθήσετε τη διαδικασία που ακολουθεί (ακολουθήστε όλες τις οδηγίες που αφορούν την ασφάλεια):

► ΕΠΑΝΑΦΟΡΑ ΘΕΡΜΟΣΤΑΤΗ ΥΠΕΡΘΕΡΜΑΝΣΗΣ [Λυχνία αναμμένη (H ΕΙΚ. 3)]: Ο θερμαντήρας έφθασε τη μέγιστη θερμοκρασία λειτουργίας. Για να επαναφέρετε το θερμαντήρα εξαλείψτε την αιτία που προκάλεσε την εμπλοκή (αν χρειάζεται απευθυνθείτε στο κέντρο τεχνικής υποστήριξης), αφαιρέστε το καπάκι (ΕΙΚ. 7), ξεβιδώστε το πωμα και πατήστε μέχρι κάτω το κουμπί (I ΕΙΚ. 3). Στη συνέχεια βιδώστε ξανά το πώμα και επαναφέρετε το καπάκι (ΕΙΚ. 8).

► ΕΠΑΝΑΦΟΡΑ ΤΟΥ ΚΑΥΣΤΗΡΑ [Λυχνία ανάφλεξης (F ΕΙΚ. 3) (ΕΙΚ. 9)]: Ο καυστήρας έχει κάποια ανωμαλία κατά τη λειτουργία. Για να επαναφέρετε τον καυστήρα εξαλείψτε την αιτία που προκάλεσε την εμπλοκή (αν χρειάζεται απευθυνθείτε στο κέντρο τεχνικής υποστήριξης), αφαιρέστε το καπάκι (ΕΙΚ. 7) και πατήστε μέχρι κάτω για μερικά δευτερόλεπτα το κουμπί (ΕΙΚ. 10). Στη συνέχεια επαναφέρετε το καπάκι (ΕΙΚ. 8).

► ΕΠΑΝΑΦΟΡΑ ΤΟΥ ΚΙΝΗΤΗΡΑ ΑΕΡΙΣΜΟΥ [Λυχνία αναμμένη (G ΕΙΚ. 3)]: Ο κινητήρας αερισμού είναι μπλοκαρισμένος ή λειτουργεί με ανώμαλο τρόπο. Για να επαναφέρετε το θερμαντήρα, μεταφέρετε το διακόπτη ανάφλεξης στη θέση "0" (C ΕΙΚ. 3), εξαλείψτε την αιτία που προκάλεσε την εμπλοκή (αν χρειάζεται απευθυνθείτε στο κέντρο τεχνικής υποστήριξης) και ενεργοποιήστε ξανά το θερμαντήρα.

►►► 10. ΔΙΑΜΟΡΦΩΣΗ ΤΟΥ ΗΛΕΚΤΡΟΝΙΚΟΥ ΡΥΘΜΙΣΤΗ

ΣΗΜΑΝΤΙΚΟ: Ο ΗΛΕΚΤΡΟΝΙΚΟΣ ΡΥΘΜΙΣΤΗΣ (ΠΟΥ ΕΧΕΙ ΗΔΗ ΡΥΘΜΙΣΤΕΙ ΑΠΟ ΤΟΝ ΚΑΤΑΣΚΕΥΑΣΤΗ) ΔΕΝ ΠΡΟΔΙΚΑΖΕΙ ΤΗ ΣΩΣΤΗ ΛΕΙΤΟΥΡΓΙΑ ΤΟΥ ΘΕΡΜΑΝΤΗΡΑ.

Ο ηλεκτρονικός ρυθμιστής (A ΕΙΚ. 3), ελέγχει την ενεργοποίηση και απενεργοποίηση του αερισμού κατά τη φάση της προθέρμανσης και του μετέπειτα αερισμού του θερμαντήρα.

Ανάλογα με τη θερμοκρασία του περιβάλλοντος (πολύ κρύο ή πολύ θερμό κλίμα, ΔΕΙΤΕ ΠΙΝΑΚΑ «ΔΙΑΜΟΡΦΩΣΗ ΤΟΥ ΗΛΕΚΤΡΟΝΙΚΟΥ ΡΥΘΜΙΣΤΗ»), μπορεί να είναι απαραίτητο να τροποποιήσετε την παράμετρο της αναφοράς.

Διαδικασία διαμόρφωσης:

►10.1. Βεβαιωθείτε ότι ο διακόπτης ενεργοποίησης είναι στη θέση "0" και η λυχνία τροφοδοσίας είναι συνδεδεμένη με το ηλεκτρικό δίκτυο.

►10.2. Εκτελέστε την παρακάτω ακολουθία των πλήκτρων:

- Πατήστε το πλήκτρο "SET" (ΡΥΘΜΙΣΗ).

- Εμφανίζεται "SP2" κατά την πλοήγηση με τα πλήκτρα "▼" / "▲".

- Πατήστε το πλήκτρο "SET" (ΡΥΘΜΙΣΗ) για να εισέλθετε.

- Ρυθμίστε την επιθυμητή θερμοκρασία με τα πλήκτρα "▼" / "▲".

- Πατήστε το πλήκτρο "SET" (ΡΥΘΜΙΣΗ) για να επιβεβαιώσετε.

ΣΗΜΑΝΤΙΚΟ: Ο ΗΛΕΚΤΡΟΝΙΚΟΣ ΡΥΘΜΙΣΤΗΣ ΔΕΝ ΛΕΙΤΟΥΡΓΕΙ ΩΣ ΘΕΡΜΟΣΤΑΤΗΣ ΠΕΡΙΒΑΛΛΟΝΤΟΣ.

►►► 11. ΚΑΘΑΡΙΣΜΟΣ ΤΩΝ ΦΙΛΤΡΩΝ

►► 11.1. ΦΙΛΤΡΟ ΑΝΑΡΡΟΦΗΣΗΣ, ΑΝΑΛΟΓΑ ΜΕ ΤΟ ΜΟΝΤΕΛΟ:

(ΕΙΚ. 11)

Ανάλογα με την ποιότητα του καυσίμου που χρησιμοποιείται, μπορεί να καταστεί αναγκαίος ο καθαρισμός των φίλτρων:

► 11.1.1. Αφαιρέστε το ποτήρι (A).

► 11.1.2. Βγάλτε το φίλτρο (B) από το ποτήρι, προσέχοντας να αποθηκεύσετε με φροντίδα τις τσιμούχες.

► 11.1.3. Καθαρίστε το φίλτρο (B) με καθαρό καύσιμο, προσέχοντας να μην το καταστρέψετε.

► 11.1.4. Επανατοποθετήστε το φίλτρο (B) στο ποτήρι.

► 11.1.5. Επανατοποθετήστε το ποτήρι (A) προσέχοντας να ξαναβάλετε σωστά τις τσιμούχες.

►► 11.2. ΦΙΛΤΡΟ ΑΝΤΛΙΑΣ ΚΑΥΣΙΜΟΥ:

Δείτε το πρόγραμμα της προληπτικής συντήρησης.

►►► 12. ΑΠΟΘΗΚΕΥΣΗ ΚΑΙ ΜΕΤΑΦΟΡΑ

ΠΡΟΕΙΔΟΠΟΙΗΣΗ: ΠΡΙΝ ΑΠΟ ΟΠΟΙΑΔΗΠΟΤΕ ΜΕΤΑΚΙΝΗΣΗ ΠΡΕΠΕΙ ΝΑ ΣΤΑΜΑΤΗΣΕΤΕ ΤΟ ΘΕΡΜΑΝΤΗΡΑ (ΔΕΙΤΕ ΠΑΡΑΓΡ. "ΑΠΕΝΕΡΓΟΠΟΙΗΣΗ ΤΟΥ ΘΕΡΜΑΝΤΗΡΑ"), ΝΑ ΑΠΟΣΥΝΔΕΣΕΤΕ ΤΗΝ ΗΛΕΚΤΡΙΚΗ ΕΝΕΡΓΕΙΑ, ΝΑ ΑΦΑΙΡΕΣΕΤΕ ΤΟ ΒΥΣΜΑ ΑΠΟ ΤΗΝ ΗΛΕΚΤΡΙΚΗ ΠΡΙΖΑ (ΕΙΚ. 12) ΚΑΙ ΝΑ ΠΕΡΙΜΕΝΕΤΕ ΜΕΧΡΙ ΝΑ ΚΡΥΩΣΕΙ ΠΛΗΡΩΣ Ο ΘΕΡΜΑΝΤΗΡΑΣ. ΟΤΑΝ ΜΕΤΑΚΙΝΕΙΤΑΙ Ο ΘΕΡΜΑΝΤΗΡΑΣ ΔΙΑΤΗΡΗΣΤΕ ΤΟΝ ΣΕ ΕΠΙΠΕΔΗ ΘΕΣΗ.

Για να διατηρήσετε όσο γίνεται καλύτερα το θερμαντήρα, σας συνιστούμε να ακολουθήσετε τη διαδικασία που ακολουθεί (ακολουθήστε όλες τις οδηγίες που αφορούν την ασφάλεια):

► 12.1. Μπορείτε να τον ανασηκώσετε με το περονοφόρο όχημα ανύψωσης, χρησιμοποιώντας τις κατάλληλες αλυσίδες και γάντζους ανάρτησης (ο θερμαντήρας είναι εξοπλισμένος με κρίκους).

► 12.2. Για να αποθηκεύσετε όσο το δυνατόν καλύτερα το θερμαντήρα, σας συνιστούμε να τον τοποθετήσετε σε ξηρό χώρο που προστατεύεται από τις ζημιές.

►►► 13. ΣΥΝΔΕΣΗ ΘΕΡΜΟΣΤΑΤΗ ΠΕΡΙΒΑΛΛΟΝΤΟΣ

Στα μοντέλα με προαιρετική σύνδεση θερμοστάτη περιβάλλοντος, αφαιρέστε την τάπα που συνδέεται με το θερμαντήρα και συνδέστε το θερμοστάτη περιβάλλοντος (προαιρετικό) (ΕΙΚ. 13-14).

►►► 14. ΠΡΟΤΑΣΕΙΣ ΓΙΑ ΤΗ ΔΙΟΧΕΤΕΥΣΗ

(ΕΙΚ. 15)

ΣΗΜΑΝΤΙΚΟ: ΑΠΟΦΥΓΕΤΕ ΤΗ ΔΙΟΧΕΤΕΥΣΗ ΤΟΥ ΑΕΡΑ ΕΙΣΟΔΟΥ Ή/ΚΑΙ ΕΞΟΔΟΥ ΧΩΡΙΣ ΤΑ ΓΝΗΣΙΑ ΚΙΤ (ΟΠΟΥ ΠΡΟΒΛΕΠΟΝΤΑΙ).

Για να αποφύγετε προβλήματα λειτουργίας του θερμαντήρα ή βλάβες σε πρόσωπα θα πρέπει να προσέχετε κατά τη διάταξη των σωληνώσεων διοχέτευσης αέρα. Για να μειώσετε τις αντιστάσεις της ροής αέρα, σας συνιστούμε να τοποθετείτε τους σωλήνες διοχέτευσης μειώνοντας τον αριθμό των καμπύλων και αποφεύγοντας πτυχώσεις με αιχμηρές γωνίες. Τα πρώτα μέτρα πρέπει να μην έχουν καμπύλες.

ΠΡΟΕΙΔΟΠΟΙΗΣΗ: ΠΡΙΝ ΕΚΤΕΛΕΣΕΤΕ ΟΠΟΙΑΔΗΠΟΤΕ ΣΥΝΤΗΡΗΣΗ Ή ΕΠΙΣΚΕΥΗ, ΑΠΟΣΥΝΔΕΣΤΕ ΤΟ ΚΑΛΩΔΙΟ ΤΡΟΦΟΔΟΣΙΑΣ ΑΠΟ ΤΟ ΗΛΕΚΤΡΙΚΟ ΔΙΚΤΥΟ ΚΑΙ ΒΕΒΑΙΩΘΕΙΤΕ ΟΤΙ Ο ΘΕΡΜΑΝΤΗΡΑ ΕΙΝΑΙ ΚΡΥΟΣ.

► ► ► 15. ΠΡΟΛΗΠΤΙΚΟ ΠΡΟΓΡΑΜΜΑ ΣΥΝΤΗΡΗΣΗΣ

ΕΞΑΡΤΗΜΑ	ΣΥΧΝΟΤΗΤΑ ΣΥΝΤΗΡΗΣΗΣ	ΔΙΑΔΙΚΑΣΙΑ ΣΥΝΤΗΡΗΣΗΣ
Φίλτρα	Καθαρίστε ή αντικαταστήστε μια φορά το χρόνο ή όσο χρειάζεται (ελέγξτε την ακεραιότητα)	Καθαρίστε τα φίλτρα (ΔΕΙΤΕ ΠΑΡΑΓΡ. "ΚΑΘΑΡΙΣΜΟΣ ΦΙΛΤΡΩΝ")
Φίλτρο αντλίας καυσίμου:	Καθαρίστε ή αντικαταστήστε μια φορά το χρόνο ή όσο χρειάζεται (ελέγξτε την ακεραιότητα)	Απευθυνθείτε στην υπηρεσία τεχνικής υποστήριξης
Ηλεκτρόδια	Καθαρίστε ανάλογα με τις ανάγκες	Απευθυνθείτε στην υπηρεσία τεχνικής υποστήριξης
Ανεμιστήρας	Καθαρίστε ανάλογα με τις ανάγκες	Απευθυνθείτε στην υπηρεσία τεχνικής υποστήριξης
Θάλαμος καύσης	Καθαρίστε ανάλογα με τις ανάγκες	Απευθυνθείτε στην υπηρεσία τεχνικής υποστήριξης

► ► ► 16. ΠΡΟΣΔΙΟΡΙΣΜΟΣ ΤΟΥ ΠΡΟΒΛΗΜΑΤΟΣ

ΠΡΟΒΛΗΜΑ	ΠΙΘΑΝΗ ΑΙΤΙΑ	ΠΙΘΑΝΗ ΛΥΣΗ
Δεν ενεργοποιείται ο θερμαντήρας ή δεν παραμένει αναμμένος.	<ol style="list-style-type: none"> 1. Διακόπτης ανάφλεξης σε θέση "0" 2. Έλλειψη τροφοδοσίας 3. Διακεκομμένο καλώδιο τροφοδοσίας 4. Ηλεκτρονικό σύστημα που πρέπει να επαναφερθεί ή ελαττωματικό 5. Λάθος προγραμματισμός του θερμοστάτη περιβάλλοντος (όπου υπάρχει) 6. Απουσία καυσίμων 7. Παρουσία ξένων ουσιών στο κύκλωμα του καυσίμου 8. Η θερμοκρασία που έχει ρυθμιστεί στον ψηφιακό θερμοστάτη είναι πολύ υψηλή 9. Ηλεκτρονικό σύστημα σε εμπλοκή 	<ol style="list-style-type: none"> 1. Μεταφέρετε το διακόπτη ανάφλεξης στη θέση "ΦΛΟΓΑ" (C EIK. 3) 2a. Τοποθετήστε σωστά το καλώδιο τροφοδοσίας στην ηλεκτρική πρίζα (EIK. 5) 2b. Ελέγξτε τη σωστή τάση της εγκατάστασής σας 3. Απευθυνθείτε στην υπηρεσία τεχνικής υποστήριξης 4a. Επαναφέρετε το θερμαντήρα (ΔΕΙΤΕ ΠΑΡΑΓΡ. "ΕΠΑΝΑΦΟΡΑ ΤΟΥ ΘΕΡΜΑΝΤΗΡΑ") 4b. Απευθυνθείτε στην υπηρεσία τεχνικής υποστήριξης 5. Ενεργήστε στο θερμοστάτη περιβάλλοντος ρυθμίζοντάς τον σε θερμοκρασία ανώτερη από εκείνη του περιβάλλοντος λειτουργίας (EIK. 6) 6. Γεμίστε με καύσιμο ξανά και ενδεχομένως επαναφέρετε το θερμαντήρα (ΔΕΙΤΕ ΠΑΡΑΓΡ. "ΕΠΑΝΑΦΟΡΑ ΤΟΥ ΘΕΡΜΑΝΤΗΡΑ") 7a. Αδειάστε και γεμίστε τη δεξαμενή με καθαρό καύσιμο 7b. Καθαρίστε τα φίλτρα (ΔΕΙΤΕ ΠΑΡΑΓΡ. "ΚΑΘΑΡΙΣΜΟΣ ΦΙΛΤΡΩΝ") 7c. Απευθυνθείτε στην υπηρεσία τεχνικής υποστήριξης 8. Χαμηλώστε τη ρυθμισμένη θερμοκρασία του ψηφιακού θερμοστάτη (ΔΕΙΤΕ ΠΑΡΑΓΡ. "ΔΙΑΜΟΡΦΩΣΗ ΤΟΥ ΗΛΕΚΤΡΟΝΙΚΟΥ ΡΥΘΜΙΣΤΗ") 9. Επαναφέρετε το ηλεκτρονικό σύστημα (ΔΕΙΤΕ ΠΑΡΑΓΡ. "ΕΠΑΝΑΦΟΡΑ ΤΟΥ ΘΕΡΜΑΝΤΗΡΑ")
Ο θερμαντήρας παράγει καπνό κατά τη διάρκεια της λειτουργίας	<ol style="list-style-type: none"> 1. Παρουσία ξένων ουσιών στο κύκλωμα του καυσίμου 2. Απόφραξη της λήψης αέρα εισόδου 	<ol style="list-style-type: none"> 1a. Αδειάστε και γεμίστε τη δεξαμενή με καθαρό καύσιμο 1b. Καθαρίστε τα φίλτρα (ΔΕΙΤΕ ΠΑΡΑΓΡ. "ΚΑΘΑΡΙΣΜΟΣ ΦΙΛΤΡΩΝ") 1c. Απευθυνθείτε στην υπηρεσία τεχνικής υποστήριξης 2. Αφαιρέστε όλες τις πιθανές αποφράξεις της λήψης αέρα
Ο θερμαντήρας δεν απενεργοποιείται	<ol style="list-style-type: none"> 1. Η θερμοκρασία που έχει ρυθμιστεί στον ψηφιακό θερμοστάτη είναι πολύ χαμηλή. 2. Ελαττωματικό ηλεκτρονικό σύστημα 	<ol style="list-style-type: none"> 1. Αυξήστε τη ρυθμισμένη θερμοκρασία του ψηφιακού θερμοστάτη (ΔΕΙΤΕ ΠΑΡΑΓΡ. "ΔΙΑΜΟΡΦΩΣΗ ΤΟΥ ΗΛΕΚΤΡΟΝΙΚΟΥ ΡΥΘΜΙΣΤΗ") 2. Απευθυνθείτε στην υπηρεσία τεχνικής υποστήριξης

重要事项：进行该加热器的组装、投入运行或维修之前，请阅读并理解该操作手册。错误使用加热器可能会引起严重或致命的伤害。请妥善保管该手册以便日后参考。

▶▶▶1.描述


这一暖空气的加热器系列特别适合中型或大型的地点或空间。


间接加热的加热器（图1）得益于一个内部的热交换器，允许将燃烧气体与进入环境的热空气分离开来。通过这种方法在需要加热的地点可以有干净的热气流并且将燃烧的产品送到外面。

这些热空气的加热器是按照最新的安全准则、功能标准和使用寿命标准设计而成。安全装置可以保证加热器始终按照正确的方法运行。

▶▶▶2.安全信息

警告

 **重要提示：**本空气加热器设计用于移动应用和临时专业性应用。其并非供家用或人体取暖用。

 **重要事项：**在身体上、感觉上和精神上条件不足的人（包括儿童）或者不具备专业知识的人不得使用这个设备，除非有另外一个负责人对他们的安全进行监管。要看管好儿童以确保其不要玩耍这些设备。

 **危险：**一氧化碳窒息会带来生命危险。

一氧化碳窒息的最初的症状与感冒的症状很相似，伴有头痛、眩晕和/或恶心。这些症状可能由于加热器的不良运行所引起。如果出现了这些症状，应该立即走到开放的环境中，并让技术支持中心来对加热器进行修理。

▶▶2.1.供应：

- ▶2.1.1.负责供应的人员应该具备相关的资质并且完全熟悉制造商的说明和现行有关加热器安全供应的规定。
- ▶2.1.2.只能使用加热器的识别铭牌上明确规定的燃料种类。
- ▶2.1.3.在给加热器添加燃料前，应该关闭加热器并等待其冷却。
- ▶2.1.4.燃料储的存罐必须位于一个单独的房间里。
- ▶2.1.5.按照现行法定，所有燃料罐必须位于与加热器最小安全距离以外的地方。

- ▶2.1.6.燃料应该保存在地板上不会渗透并且燃料不会接触到底下火苗的环境中，以防着火发生火灾。
- ▶2.1.7.燃料的保存应该符合现行法规。
- ▶▶2.2.安全：
- ▶2.2.1.切勿在有汽油、油漆溶液或其它易燃蒸气的地方使用加热器。
- ▶2.2.2.在加热器的使用期间，要遵守所有当地法令和现行法规。
- ▶2.2.3.在防水油布、窗帘或其他遮盖物的类似材料附近使用的加热器必须与它们保持安全距离。建议使用防火材料的遮盖物。
- ▶2.2.4.只能用于通风良好的区域。按照现行法规设置一个合适的通风口，使外部的新鲜空气可以进入。
- ▶2.2.5.只能使用识别铭牌上规定的电压和频率的电源未加热器供电。
- ▶2.2.6.仅使用适当接地的加长接线。
- ▶2.2.7.建议加热器和易燃物质之间的最小安全距离为：前出口= 2.5 m；侧、上方和后出口= 1.5 m。
- ▶2.2.8.将发热的或正在运行中的加热器放置在一个稳固和水平的平面，以避免发生火灾的风险。
- ▶2.2.9.将动物保持在加热器安全距离以外的地方。
- ▶2.2.10.在不使用加热器时，应拔掉其电源的插座。
- ▶2.2.11.当由温控器控制时，随时可以开启加热器。
- ▶2.2.12.切勿在经常居住的房间里使用加热器，也不能在卧室中使用。
- ▶2.2.13.切勿堵塞加热器的吸气口和出气口。
- ▶2.2.14.当加热器变热时，或者连接到电网后，或者在运行过程中，切勿对其进行移动、操作、加燃料或任何维修干预。
- ▶2.2.15.避免使用非原厂套件（规定的地方）铺设空气输入和/或输出管道。
- ▶2.2.16.将易燃或不耐热材料（包括电源线）与加热器的热部件保持适当的距离。
- ▶2.2.17.如果电源线有损坏，必须由技术支持中心对其进行更换，以防止出现各种风险。
- ▶2.2.18.在运行中，确保防火装置随时可用。

▶2.2.19.在更换燃烧器的情况下，请使用原装备件，严格地遵守流量、喷嘴类型和泵压的规定。增加燃烧器的功率可能会损坏加热器。

▶▶▶3.拆除包装

提醒：包装材料不属于儿童玩具。请将塑料袋放置远离儿童可以接触的地方；有窒息的危险！

▶3.1.拆除所有用于包装和运输加热器的包装材料。按照现行法规对其进行垃圾处理。

▶3.2.如果将加热器放置在平台上，请根据国家规定并符合现行法规，使用合适的设备和仪器轻轻地降低加热器。通过使用合适的链条和悬挂钩可以使用叉车提升它（加热器配有吊环螺栓）。

▶3.3.检查在运输过程中受到的任何损坏。如果加热器出现损坏，立即通知购货的代理商。

▶▶▶4.组装

(图2)

根据其型号这些加热器配置有手柄、托架和支架。这些部件连同相关组装的螺栓都在加热器的包装里。

▶▶▶5.燃料

提醒：加热器只用柴油或煤油运行。

只能使用柴油或煤油以避免火灾和爆炸的风险。切勿使用汽油、石脑油、油漆溶剂、酒精或其它易燃燃料。

在温度很低的情况下要使用无毒的防冻液。

当低于5°C 温度时建议使用冬季柴油。

▶▶▶6.运行原理

燃烧器的泵，从燃料箱中抽取燃料并将其送至加压喷嘴，在此雾化并混合燃烧室中的燃烧空气。火花触发燃烧，而废烟从烟囱中排出。一系列的传感器不断地核实加热器的正常运行，在异常情况下停止循环。位于加热器后部的风扇目的是冷却燃烧室和烟道，将热量从后者传输到环境中。

▶▶▶7.控制面板

(图3)

A.电气调节器。

B.计时器。

C.电源开关。

D.通风控制按钮。

E.电压指示灯。

F.燃烧器锁定警报指示灯。

G.通风锁定警报指示灯。

H.超温警报指示灯。

I.重设超温的温控器。

L.燃烧器的连接器。

M.保险丝。

N.远程环境温控器连接器。

▶▶▶8.运行

提醒：在开启加热器之前，要仔细阅读“安全信息”。

▶▶8.1.开启加热器：

▶8.1.1.遵守所有相关的安全说明。

▶8.1.2.按照正确连接的入口和出口连接燃料管（图4）。

▶8.1.3.检查燃料箱中的燃料量。

▶8.1.4.将电源插头连接到电网上（图5）（参见“技术数据表”中电压）。

▶8.1.5.将开启的开关调到“火焰”位置（A图3）。加热器应该在几秒钟内开启。如果加热器没有启动，请参见段落“问题识别”。

▶8.1.6.加热器可用于通风模式，以激活此功能，将开启的开关定位在“风扇”位置（C图3）。

▶8.1.7.加热器有一个可以控制通风按钮（G图3）。

-激活按钮:通风持续工作（非常适合极端使用条件）。

-禁用按钮:通风自动运行（正常运行）。

▶8.1.8.对于带环境温控器的型号，核实设置的温度（图6）。

注意：由于燃料耗尽而导致加热器停止运行的情况下，应该向油箱里补充燃料，并重设加热器（参见段落“重设加热器”）。

重要事项：在间接型号中，燃烧的产品可以通过管道输送到外部。应该按照现行法律的规定并遵照手册中相关章节里的说明来设制管道。

▶▶8.2.关闭加热器：

将开启的开关调到“0”的位置（C图3）。火焰熄灭并且风扇继续运转，直到燃烧室完全冷却。在冷却循环完成之前不得断开电源插头。

▶▶▶9. 重设加热器

在正常运行当中出现一个异常情况下，加热器停止。

在重新启动加热器之前，必须确定并排除造成锁定的原因（例如：吸气口和/或出气口堵塞、风扇停止、缺乏燃料等）。如果不能排除造成锁定的原因，要请技术支持中心来处理。

为了重置加热器，建议您按照以下步骤操作（遵循所有有关安全的说明）：

- ▶重设超温的温控器 [指示灯点亮 (H 图3)]: 加热器达到最高的运行温度。要重置加热器，请排除造成锁定的原因（如果需要联系维修中心）请取下盖子（图7），拧下塞子并完全按下按钮（H 图3）。然后重新拧上塞子并重置盖子（图8）。
- ▶重设燃烧器 [指示灯点亮 (F 图3) (图9)]: 燃烧器运行中出现异常。要重置燃烧器，排除造成锁定的原因（需要的情况下联系服务中心），取下盖子（图7）并按下按钮几秒钟（图10）。然后重置盖子（图8）。
- ▶重设风扇的电机 [指示灯点亮 (G 图3)]: 通风电机锁定或以异常方式运行。要重置加热器，请将开启的开关调到“0”位置（C 图3），排除造成锁定的原因（需要的情况下联系服务中心）并且重新打开加热器。

▶▶▶10. 电气调节器的配置

重要事项：（厂商已经退出的）电气调节器如果不重设，就不会影响加热器的正确运行。

电气调节器（见图3）检查加热器的加热前和吹风后阶段内的通风开启和关闭。

依据室温（气候过冷或过热，参见表格“电气调节器的配置”），有必要修改参考参数。

配置参考：

- ▶10.1. 确保开启的开关处于“0”位置并且电源的插头是否连接到电源。
- ▶10.2. 执行以下键位的顺序：
 - 按下“SET”键。
 - 显示“SP2”，用“▼”/“▲”键位浏览。
 - 按下“SET”键，从而进入。
 - 用键位“▼”/“▲”设置理想温度。
 - 按下“SET”键，从而确认。

重要事项：电气调节器不具备恒温功能。

▶▶▶11. 清洁过滤装置

▶▶11.1. 根据型号，抽吸的过滤装置：

(图11)

根据使用的燃料的质量，可能需要清洁过滤装置：

- ▶11.1.1. 拿掉罩 (A)。
- ▶11.1.2. 从罩取出过滤装置 (B)，注意要保留好垫圈。
- ▶11.1.3. 用干净的燃料清洁过滤装置 (B)，注意不要将其损坏。
- ▶11.1.4. 在罩中重新安装过滤装置 (B)。
- ▶11.1.5. 重新安装罩 (A)，注意正确地重装上垫圈。

▶▶11.2. 燃料泵过滤装置：

参见预设的维修计划。

▶▶▶12. 保管和运输

提醒：在任何移动之前必须停止加热器（参见段落“关闭加热器”），断开电源，从电源插座中拔出插头（图12）并且等待加热器的完全冷却。当移动加热器时要将其保持在水平位置。

为了更好的保管加热器，建议按以下程序进行操作：

- ▶12.1. 通过使用合适的链条和悬挂钩可以使用叉车提升它（加热器配有吊环螺栓）。
- ▶12.2. 为更好的保管加热器，建议将其放置在干燥和避免可能损坏的地方。

▶▶▶13. 环境温控器的连接

对于带有温控器连接设置的机型，取出连接在加热器上的盖并连接上环境温控器（图13-14）。

▶▶▶14. 管道的建议

(图15)

重要事项：如果没用原装套件请避免在入口和/或出口输送空气(规定的地方)。

为了避免加热器的运行问题或人员伤害需要注意空气管道的布置。为了减小气流的阻力，建议定位管道的通道，同时减少弯道的数量并避免锐角的弯曲。前几米必须没有弯曲。

提醒：在进行任何维护和修理操作之前，应从电网上拔掉电源线，并保证加热器已冷却。

▶▶▶ 15. 预设的维修计划

组件	维护间隔	维护流程
过滤装置	一年一次，或根据需要清洁或更换（核实其完整性）	清洁过滤装置（参见段落“清洁过滤装置”）
燃料泵过滤装置	一年一次，或根据需要清洁或更换（核实其完整性）	咨询技术支持中心
电极	根据需要进行清洁	咨询技术支持中心
风扇	根据需要进行清洁	咨询技术支持中心
燃烧室	根据需要进行清洁	咨询技术支持中心

▶▶▶ 16. 问题识别

问题	可能的原因	可能的解决方案
加热器不启动或不能保持开启状态	<ol style="list-style-type: none"> 1. 开启的开关在“0”的位置 2. 没有电源 3. 电源线断裂 4. 需要重置或有缺陷的电子设备 5. 环境温控器的设置错误（有的地方） 6. 缺少燃料 7. 在燃料的循环系统中有异物 8. 数字温控器上设置的温度过高 9. 锁定电子设备 	<ol style="list-style-type: none"> 1. 将开启的开关调到“火焰”位置（C图3） 2a. 将电源线正确插入电网（图5） 2b. 核实你们设备的电压是否正确 3. 咨询技术支持中心 4a. 重置加热器（参见段落“重置加热器”） 4b. 咨询技术支持中心 5. 调节环境温控器，将温度调到高于工作环境的温度（图6） 6. 重新供应燃料和需要的情况下重置加热器（参见段落“重置加热器”） 7a. 清空燃料箱并用干净的燃料重新添加到燃料箱中 7b. 清洗过滤装置（参见“清洗过滤装置”） 7c. 咨询技术支持中心 8. 降低数字温控器设置的温度（参见段落“电气调节器的配置”） 9. 重置电子设备（参见段落“重置加热器”）
在运行过程中加热器产生烟雾	<ol style="list-style-type: none"> 1. 在燃料的循环系统中有异物 2. 吸气口堵塞 	<ol style="list-style-type: none"> 1a. 清空燃料箱并用干净的燃料重新填充燃料箱中 1b. 清洗过滤装置（参见段落“清洗过滤装置”） 1c. 咨询技术支持中心 2. 去除所有吸气口可能的堵塞物。
加热器不能关闭	<ol style="list-style-type: none"> 1. 数字温控器上设置的温度太低 2. 电设备出现故障 	<ol style="list-style-type: none"> 1. 升高数字温控器的设置温度（参见段落“电气调节器的配置”） 2. 咨询技术支持中心

НАЗАР АУДАРЫҢЫЗ: ЖАБДЫҚПЕН КЕЗ КЕЛГЕН ЖҰМЫСТЫ БАСТАМАС БҰРЫН (ЖЫЛЫТҚЫШТЫ ҚҰРАСТЫРУ, ІСКЕ ҚОСУ ЖӘНЕ ТЕХНИКАЛЫҚ ҚЫЗМЕТ КӨРСЕТУ) ОСЫ ПАЙДАЛАНУ БОЙЫНША НҰСҚАУЛЫҚПЕН МҰҚИЯТ ТАНЫСЫҢЫЗ. ЖЫЛЫТҚЫШТЫ ДҰРЫС ҚОЛДАНБАУ АУЫР ЖАРАҚАТТАРҒА НЕМЕСЕ ӨЛІМГЕ ӘКЕЛУІ МҮМКІН. ҚАЗЕТ БОЛҒАНДА ТАНЫСУ ҮШІН, ОСЫ НҰСҚАУЛЫҚТЫ САҚТАП ҚОЙЫҢЫЗ.

▶▶▶ 1. СИПАТТАМАСЫ

Ауа жылытқыштардың бұл сериясы орташа және үлкен көлемдегі орынжайларды жылыту үшін пайдаланылатын ауаны жылытуға арналған.

Ішкі жылу алмастырғыштың арқасында, тікелей емес қыздыру жылытқыштары (СУР. 1) пайдаланылған газдарды орынжайға берілетін ыстық ауадан бөлуге мүмкіндік береді. Осылайша, орынжайға таза жылытылған ауаны беру және пайдаланылған газдарды сыртқа шығару мүмкін болады.

Біздің ауа жылытқыштар қауіпсіздіктің, функционалдылықтың және төзімділіктің ең заманауи өлшемдеріне сәйкес әзірленген. Сақтандырғыш құрылғылар жылытқыштың әрқашан дұрыс жұмыс істеуіне кепілдік береді.

▶▶▶ 2. ҚАУІПСІЗДІК ТЕХНИКАСЫ ТУРАЛЫ

**АҚПАРАТ
ЕСКЕРТУЛЕР**



НАЗАР АУДАРЫҢЫЗ: Осы ауа жылытқыш мобильді және уақытша кәсіби қолдану үшін әзірленген. Ол үйде қолдану немесе адамның жылу жайлылығы үшін арналмаған.



НАЗАР АУДАРЫҢЫЗ: Бұл құрылғы дене мүмкіншіліктері, сенсорлық немесе ойлау қабілеті шектеулі, тәжірибесіз адамдар (балалармен қоса) қолданысына арналмаған, себебі олардың әрекеттері қауіпсіздігіне жауапты адамдармен бақылануы керек. Балалардың жылытқышпен ойнауына тыйым салынады.



ҚАУІПТІ: Көміртек оксидінен асфикциялану өлімге дейін әкелуі мүмкін.

Көміртек оксидінен асфикцияланудың алғашқы белгілері тұмау, бас ауруы, бас айналу және/немесе лоқсу белгілеріне ұқсас. Бұндай белгілер жылытқыштың дұрыс емес жұмысынан болуы мүмкін. **БҰНДАЙ ЖАҒДАЙДА АГРЕГАТТЫ БІРДЕН ӨШІРІП, ОНЫ ҚЫЗМЕТ ОРТАЛЫҒЫНА ЖӨНДЕУГЕ ЖІБЕРІҢІЗ.**

▶▶ 2.1. ТОЛТЫРУ:

▶ 2.1.1. Құюға жауапты қызметкерлер білікті әрі өндіруші нұсқауларымен және жылытқышты толтыру қауіпсіздігі ережелерімен таныс болуы керек.

▶ 2.1.2. Тек жылытқыштың төлқұжатында көрсетілген отын түрін пайдаланыңыз.

▶ 2.1.3. Жылытқышты толтыру алдында өшіріп, сууын күтіңіз.

▶ 2.1.4. Отын сақтау резервуарлары бөлек ғимаратта болуы керек.

▶ 2.1.5. Отын сақтауға арналған барлық бактер қолданбалы нормаларға сәйкес жылытқыштан минималды қашықтықта болуы керек.

▶ 2.1.6. Отынды беткі едені төменгі отқа өтуін және лап өтуін болдырмайтын ғимаратта сақталуы керек.

▶ 2.1.7. Отынды сақтау қолданбалы заңнамаға сәйкес орындалады.

▶▶ 2.2. ҚАУІПСІЗДІК ТЕХНИКАСЫ:

▶ 2.2.1. Жылытқышты бензин, бояу еріткіштер немесе басқа тез лап ететін заттар сақталатын ғимараттарда пайдалануға тыйым салынады.

▶ 2.2.2. Жылытқышты пайдалану кезінде барлық жергілікті жағдайларды және қолданбалы заңнаманы сақтау керек.

▶ 2.2.3. Брезент тенттерге, палаткаларға немесе басқа ұқсас жабын материалдарына жақын пайдаланылатын жылытқыштар қауіпсіз қашықтықта орналасуы керек. Сонымен қатар, өрттен қауіпсіз материалдарды пайдалану ұсынылады.

▶ 2.2.4. Тек жақсы желдетілетін жайларда пайдалану керек. Тиісті кіріс желдету саңылауын қолданбалы стандарттарға сәйкес дайындаңыз.

▶ 2.2.5. Жылытқыш, кернеу мен ток жиілігі жылытқышта орнатылған техникалық деректер тақтасында көрсетілгендерге сәйкес келетін желіден ғана қуаттануы тиіс.

▶ 2.2.6. Тек тиісті түрде жерге тұйықталған ұзартқыштарды пайдаланыңыз.

▶ 2.2.7. Жылытқыш пен тез тұтанатын заттар арасындағы минималды ұсынылатын қауіпсіз қашықтық: алдынан = 2,5 м; бүйір жағынан, жоғарғы және артқы жағынан = 1,5 м.

▶ 2.2.8. Лап өтуін болдырмас үшін, жанғыш және істейтін жылытқышты берік және тегіс бетке қойыңыз.

▶ 2.2.9. Жануарларды жылытқыштан қауіпсіз қашықтықта ұстаңыз.

▶ 2.2.10. Пайдаланылмай тұрған кезде, жылытқышты электр қуаты желісінен ажыратыңыз.

▶ 2.2.11. Егер жылытқыш термостатпен басқарылса, онда кез келген мезетте қосылуы мүмкін.

▶ 2.2.12. Жылытқышты жатын бөлмесі сияқты үнемі адамдар болатын ғимараттарда пайдалануға тыйым салынады.

▶ 2.2.13. Ауа жинағышты және жылытқыштың шығару арнасын еш уақытта бұғаттамаңыз.

▶ 2.2.14. Жылытқышты жылжытуға, толтыруға немесе аспапты ыстық кезінде, электр қуаты желісіне қосылған немесе жұмыс істеп тұрған кезде техникалық қызмет көрсету бойынша операцияларды жүргізуге тыйым салынады.

▶ 2.2.15. Кіріс/шығыс ауа арналарын орнату үшін тек түпнұсқалық жиынтықтарды пайдаланыңыз (қарастырылған жағдайда).

▶ 2.2.16. Тұтанатын немесе термо балқымалы материалдар (қуатты кабельдерді қоса алғанда) және жылытқыштың ыстық бөліктері арасындағы қолайлы арақашықтықты сақтаңыз.

- ▶ 2.2.17. Қуат кабелін жүргізген кезде, қауіпті болдырмау үшін, оны техникалық қызмет көрсету орталығында ауыстыру керек.
- ▶ 2.2.18. Жұмыс істеу кезінде өртке қарсы қорғаныс құрылғылары пайдалануға дайын екеніне көз жеткізіңіз.
- ▶ 2.2.19. Егер жанарғыны ауыстыру қажет болса, қуат параметрлерін, бүріккіштердің түрін және сорғының қысымын қатаң сақтай отырып, түпнұсқалық қосалқы бөлшектерді пайдаланған жөн. Жанарғының қуатын арттыру жылытқышты зақымдауы мүмкін.

▶▶▶ 3. БУМАСЫНАН ШЫҒАРУ

ЕСКЕРТПЕ: БУМА МАТЕРИАЛЫ - БАЛАЛАР ОЙЫНШЫҒЫ ЕМЕС. ПОЛИЭТИЛЕНДІ ПАКЕТТІ БАЛАЛАР ҚОЛЫ ЖЕТПЕЙТІН ОРЫНДА СҰҚТАҢЫЗ; ТҰНШЫҒУ ҚАУІПІ БАР!

- ▶ 3.1. Жылытқышты қаптау және жөнелту үшін пайдаланылған барлық қаптау материалдарын шешіп алыңыз. Оларды қолданыстағы нормаларға сәйкес кәдеге жаратаңыз.
- ▶ 3.2. Егер жылытқыш платформада орнатылса, оны қолданыстағы ұлттық нормалар мен ережелерге сәйкес, тиісті құрылғылар мен құралдардың көмегімен абайлап түсіру керек. Аспапты ілгектер мен шынжырларды пайдалана отырып, шанышқылы жүк тиегіштің көмегімен көтеруге болады (бұл үшін жылытқыш ілмек бұранмен жабдықталған).
- ▶ 3.3. Тасымал кезінде алынған зақымдарды тексеріңіз. Егер жылытқыш зақымдалса, бұл жағдайды алынған дилерге бірден хабарлаңыз.

▶▶▶ 4. ҚҰРАСТЫРУ

(СУР. 2)

Біздің жылытқыштар тұтқалармен, кронштейндермен, тіреулермен және үлгісіне қарай т.б. жабдықталған. Бұл құрауыштар, соның ішінде монтажда арналған жиынтық жылытқышпен бірге қаптамада болады.

▶▶▶ 5. ОТЫН

ЕСКЕРТПЕ: ЖЫЛЫТҚЫШ ТЕК ДИЗЕЛЬ ОТЫНЫМЕН НЕМЕСЕ КЕРОСИНМЕН ЖҰМЫС ІСТЕЙДІ.

Өрт немесе жарылыс қаупін болдырмас үшін, тек дизель отынын немесе керосинді пайдаланыңыз. Бензин, керосин, бояу еріткіштер, спирт немесе басқа тез лап ететін заттар пайдалануға тыйым салынады.

Өте төмен температура көрсеткіштерінде улы емес, қатпайтын қоспалар пайдалануға рұқсат беріледі.

5°C төмен температурада қысқы дизель отынын пайдалану ұсынылады.

▶▶▶ 6. ӨРЕКЕТ ЕТУ ПРИНЦИПІ

Жанарғының сорғысы отынды бактан сорады және оны қысымдағы бүріккішке береді, онда ол шашырап, жану камерасында жануды ұстап тұру үшін қажетті ауамен араласады. Ұшқын отын-ауа қоспасын жағады, ал түтін болса түтін мұржасы арқылы шығады. Бірқатар қадағалар, жұмыста іркілістер анықталған жағдайда жұмыс циклін тоқтатып, жылытқыштың дұрыс жұмыс істеуін үнемі қадағалап отырады. Жылытқыштың артқы бөлігінде орналасқан желдеткіш, жылу бөлмесіне бере отырып, жану камерасын және түтін айналым жүйесін салқындату үшін қызмет етеді.

▶▶▶ 7. БАСҚАРУ ПАНЕЛІ

(СУР. 3)

- A. Электрондық реттегіш.
- B. Сағат өлшегіші.
- C. Қуат ауыстырып-қосқышы.
- D. Желдетуді басқару түймесі.
- E. Электр кернеудің болуын көрсететін шам.
- F. Жанарғының бұғатталуы туралы дабыл беретін шам.
- G. Желдетудің бұғатталуы туралы дабыл беретін шам.
- H. Артық температура туралы дабыл беретін шам.
- I. Артық температура термостатын ысыру.
- L. Жанарғы жалғағышы.
- M. Сақтандырғыш.
- N. Бөлме термостатының қашықтағы жалғағышы.

▶▶▶ 8. ҚЫЗМЕТІ

ЕСКЕРТПЕ: ЖЫЛЫТҚЫШТЫ ҚОСУ АЛДЫНДА "ҚАУІПСІЗДІК ТЕХНИКАСЫ БОЙЫНША АҚПАРАТТЫ" МҰҚИЯТ ОҚЫП ШЫҒЫҢЫЗ.

▶▶▶ 8.1. ЖЫЛЫТҚЫШТЫ ІСКЕ ҚОСУ:

- ▶ 8.1.1. Барлық қауіпсіздік техникасы нұсқауларын орындаңыз.
- ▶ 8.1.2. Отын түтіктерін, кірісі мен шығысын сақтай отырып қосыңыз (СУР. 4).
- ▶ 8.1.3. Бакте отынның бар-жоғын тексеріңіз.
- ▶ 8.1.4. Қуаттау ашасын электр желісіне қосыңыз (СУР. 5) (КЕРНЕУ ТАРАУЫН «ТЕХНИКАЛЫҚ ДЕРЕКТЕР КЕСТЕСІНДЕ» ҚАР.).
- ▶ 8.1.5. Тұтандыру ауыстырып-қосқышын «Жалын» қалпына бұрып қойыңыз (C СУР. 3). Жылытқыш бірнеше секунд ішінде қосылуы керек. Егер жылытқыш іске қосылмай жатса, «ПРОБЛЕМАНЫ АНЫҚТАУ» параграфына қараңыз.
- ▶ 8.1.6. Жылытқыш аспап желдету режимінде пайдалануы мүмкін, осы атқарымды іске қосу үшін тұтандыру ауыстырып-қосқышын «ЖЕЛДЕТКІШ» қалпына белгілеп қойыңыз (C СУР. 3).
- ▶ 8.1.7. Жылытқыш желдетуді бақылауға мүмкіндік беретін батырмамен жабдықталған (D СУР. 3).
-БАТЫРМА ІСКЕ ҚОСЫЛДЫ: Желдету үздіксіз жұмыс істейді (төтенше пайдалану жағдайлары үшін өте қолайлы).
-БАТЫРМА ӨШІРІЛДІ: Желдету автоматты режимде жұмыс істейді (қалыпты жұмыс).
- ▶ 8.1.8. Бөлмелік термостатпен үлгілері үшін нұсқалған температураны тексеріңіз (СУР. 6).

ЕСКЕРТПЕ: ЖЫЛЫТҚЫШ ОТЫННЫҢ БОЛМАУЫ СЕБЕБІНЕН ТОҚТАҒАН ЖАҒДАЙДА, БАКТЫ ТОЛТЫРЫҢЫЗ ЖӘНЕ ЖЫЛЫТҚЫШТЫҢ ЖҰМЫС ЖАҒДАЙЫН ҚАЛПЫНА КЕЛТІРІҢІЗ («ЖЫЛЫТҚЫШТЫҢ ЖҰМЫС ЖАҒДАЙЫН ҚАЛПЫНА КЕЛТІРУ» ПАРАГРАФЫН ҚАР.).

НАЗАР АУДАРЫҢЫЗ: ТИКЕЛЕЙ ҚЫЗДЫРЫЛМАЙТЫН ҮЛГІЛЕРІНДЕ ЖАНУ ӨНІМДЕРІ СЫРТҚА ШЫҒАРЫЛУЫ МҮМКІН. ҚОЛДАНЫСТАҒЫ ЗАҢНАМАҒА ЖӘНЕ ОСЫ НҰСҚАУЛЫҚТЫҢ ТИІСТІ БӨЛІМІНЕ СӘЙКЕС АРНАЛАРДЫ ОРНАТЫҢЫЗ.

▶▶▶ 8.2. ЖЫЛЫТҚЫШТЫ ӨШІРУ:

Тұтандыру ауыстырып-қосқышын «0» қалпына бұрып қойыңыз (C СУР. 3). Жалын сөнеді, ал желдеткіш жану камерасы толығымен салқындағанша жұмыс істеуді жалғастырады. Салқындату циклі аяқталғанға дейін ашаны розеткадан ешқашан алып тастамаңыз.

►►► 9. ЖЫЛЫТҚЫШТЫҢ ЖҰМЫС ЖАҒДАЙЫН ҚАЛПЫНА КЕЛТІРУ

Егер аспаптың қалыпты жұмысы кезінде ауытқу пайда болса, жылытқыш сәндіріледі.

Жылытқышты қайтадан іске қосу үшін тоқтап қалу себебін анықтау және жою қажет (мысалы, ауа жинағыштың бітеліп қалуы, желдеткіштің тоқтап қалуы, отынның болмауы және т.б.). Егер сіз, жылытқыштың тоқтауын тудырған мәселені өз бетіңізше жоя алмасаңыз, уәкілетті техникалық қолдау орталығына хабарласыңыз.

Жылытқыштың жұмыс күйін қалпына келтіру үшін, біз келесі процедураны орындауды ұсынамыз (қауіпсіздік техникасы бойынша барлық нұсқауларын орындаңыз):

► ҚЫЗЫП КЕТУ ТЕРМОСТАТЫНЫҢ ЖҰМЫС КҮЙІН ҚАЛПЫНА КЕЛТІРУ [Индикатор қосулы күйде болғанда (H Сур. 3)]: Жылытқыш максималды рұқсат етілген жұмыс температурасына жетті. Жылытқыштың жұмыс жағдайын қалпына келтіру үшін, оның тоқтауын тудырған себептерді жойыңыз (немесе уәкілетті техникалық қолдау орталығына хабарласыңыз), қақпақты алыңыз (Сур. 7), қалпақшаны бұрап, батырманы соңына дейін басыңыз (I Сур. 3). Содан кейін қақпақшаны бұрап, қақпақты орнына орнатыңыз (Сур. 8).

► ЖАНАРҒЫНЫҢ ЖҰМЫС КҮЙІН ҚАЛПЫНА КЕЛТІРУ [Индикатор қосулы күйде болғанда (F Сур. 3) (Сур. 9)]: Жанарғының жұмысында іркіліс туындады. Жанарғыны іске қосу үшін бұғатталудың себебін анықтау және жою қажет (немесе уәкілетті техникалық қолдау орталығына хабарласу): қақпақты алыңыз (Сур. 7) батырманы басып, бірнеше секунд ұстап тұрыңыз (Сур. 10). Содан кейін, қақпақты орнына орнатыңыз (Сур. 8).

► ЖЕЛДЕТКІШ МОТОРЫНЫҢ ЖҰМЫС КҮЙІН ҚАЛПЫНА КЕЛТІРУ [Индикатор қосулы күйде болғанда (G Сур. 3)]: Желдеткіштің моторы бұғатталған немесе тиісті түрде жұмыс істемейді. Жылытқыштың жұмыс жағдайын қалпына келтіру үшін кесімді сәндіргішті «0» күйіне орнатыңыз (С Сур. 3), бұғатталудың себебін анықтаңыз және жойыңыз (немесе уәкілетті техникалық қолдау орталығына хабарласыңыз) және жылытқышты қайта қосыңыз.

►►► 10. ЭЛЕКТРОНДЫҚ РЕТТЕГІШТІҢ КОНФИГУРАЦИЯСЫ

МАҢЫЗДЫ: ҚАЙТА РЕТТЕМЕСЕ, ЭЛЕКТРОНДЫҚ РЕТТЕГІШ (ӨНДІРУШІ РЕТТЕП ҚОЙҒАН), ЖЫЛЫТҚЫШТЫҢ ДҰРЫС ЖҰМЫСЫНА КЕДЕРГІ КЕЛТІРМЕЙДІ.

Электрондық реттегіш (А Сур. 3) жылытқыштың қыздыру алдындағы және желдетуден кейінгі кезеңдерінде желдетуді іске қосады және өшіреді.

Бөлме температурасына байланысты (өте салқын ауа райы немесе өте ыстық ауа райы, «ЭЛЕКТРОНДЫҚ РЕТТЕГІШТІ КОНФИГУРАЦИЯЛАУ» КЕСТЕСІН ҚАРАҢЫЗ), анықтамалық параметрді өзгерту керек болуы мүмкін.

Конфигурациялау процедурасы:

► 10.1. Қосу/өшіру ауыстырып-қосқышы «0» мәнінде екенін және аша желіге қосулы екенін тексеріңіз.

► 10.2. Келесі пернелерді ретпен басыңыз:

-«SET» пернесін басыңыз.

-«▼» / «▲» пернелері арқылы айналдыру арқылы «SP2» жазуын көрсетіңіз.

-Қатынасу үшін «SET» пернесін басыңыз.

-«▼» / «▲» пернелерін пайдаланып қалаған температураны орнатыңыз.

-Растау үшін «SET» пернесін басыңыз.

МАҢЫЗДЫ: ЭЛЕКТРОНДЫҚ РЕТТЕГІШТІ БӨЛМЕ ТЕРМОСТАТЫ ФУНКЦИЯСЫ ЖОҚ.

►►► 11. СҮЗГІЛЕРДІ ТАЗARTу

►►► 11.1. СОРҒЫШ СҮЗГІ, ҮЛГІСІНЕ БАЙЛАНЫСТЫ: (Сур. 11)

Пайдаланылатын отынның сапасына байланысты сүзгілерді тазарту қажет болуы мүмкін:

► 11.1.1. Шыныны (А) шешіңіз.

► 11.1.2. Тығыздағыштарды мұқият сақтаумен сүзгіні (В) төлкесінен шығарыңыз.

► 11.1.3. Зақым келтірмеу үшін сақ болып, сүзгіні (В) таза отынмен тазалаңыз.

► 11.1.4. Сүзгіні (В) төлкесіне орнатыңыз.

► 11.1.5. Бекітпелердің дұрыс орнатылуын бақылаумен төлкені (А) орнатыңыз.

►►► 11.2. ОТЫН СОРҒЫСЫНЫҢ СҮЗГІСІ:

Профилактикалық техникалық қызмет көрсету жоспарын қара.

►►► 12. САҚТАУ ЖӘНЕ ТАСЫМАЛДАУ

ЕСКЕРТПЕ: КЕЗ КЕЛГЕН ЖЫЛЖЫТУ АЛДЫНДА ЖЫЛЫТҚЫШТЫ ӨШІРУ («ЖЫЛЫТҚЫШТЫ ӨШІРУ» ПАРАГРАФЫН ҚАР.) ЖӘНЕ ОНЫ ЭЛЕКТР ҚУАТЫ ЖЕЛІСІНЕН АЖЫРАТУ ҚАЖЕТ (Сур. 12). СОДАН КЕЙІН ОНЫҢ ЖЕТКІЛІКТІ САЛҚЫНДАУЫН КҮТІҢІЗ. ЖЫЛЫТҚЫШТЫ ЖЫЛЖЫТУ КЕЗІНДЕ ОНЫ БІРКЕЛКІ КҮЙДЕ ҰСТАУ ҚАЖЕТ.

Қыздырғыштарды жақсы сақтау үшін ықтимал зақымдарды болдырмай, құрғақ орында сақтау талап етілуі мүмкін.

► 12.1. Аспапты ілгектер мен шынжырларды пайдалана отырып, шанышқылы жүк тиегіштің көмегімен көтеруге болады (бұл үшін жылытқыш ілмек бұранмен жабдықталған).

► 12.2. Қыздырғыштарды жақсы сақтау үшін ықтимал зақымдарды болдырмай, құрғақ орында сақтау талап етілуі мүмкін.

►►► 13. БӨЛМЕ ТЕРМОСТАТЫН ҚОСУ

Бөлме термостатын қосу үшін (ол қарастырылған үлгілерде) арнайы ажыратқыштың қақпағын алып, бөлме термостатын (факультативті) қосу қажет (Сур. 13-14).

►►► 14. АРНАЛАРДЫ ОРНАТУ БОЙЫНША КЕҢЕСТЕР

(Сур. 15)

НАЗАР АУДАРЫҢЫЗ: КІРІС/ШЫҒЫС АУА АРНАЛАРЫН ОРНАТУ ҮШІН ТЕК ТҮПНҰСҚАЛЫҚ ЖИЫНТЫҚТАРДЫ ПАЙДАЛАНЫҢЫЗ (ҚАРАСТЫРЫЛҒАН ЖАҒДАЙДА).

Жылытқыштың жұмысымен туындауы мүмкін проблемалардың алдын алу және адамдардың жарақат алу қаупін барынша азайту үшін, ауа өткізгіштердің орналасуына ерекше назар аудару қажет. Ауа ағынының кедергісін азайту үшін, арналарды бұрылыстар мен өткір бұрыштардың санын қысқартатындай етіп орналастыру ұсынылады. Алғашқы бірнеше метрі бұрылыссыз болуы тиіс.

ЕСКЕРТПЕ: КЕЗ КЕЛГЕН ТЕХНИКАЛЫҚ ҚЫЗМЕТ НЕМЕСЕ ЖӨНДЕУ ЖҰМЫСТАРЫН ОРЫНДАУ АЛДЫНДА ҚУАТ КАБЕЛІН ЭЛЕКТР ЖЕЛІСІНЕН АЖЫРАТЫП, ЖЫЛЫТҚЫШ СУЫҚ ЕКЕНДІГІН ТЕКСЕРІҢІЗ.

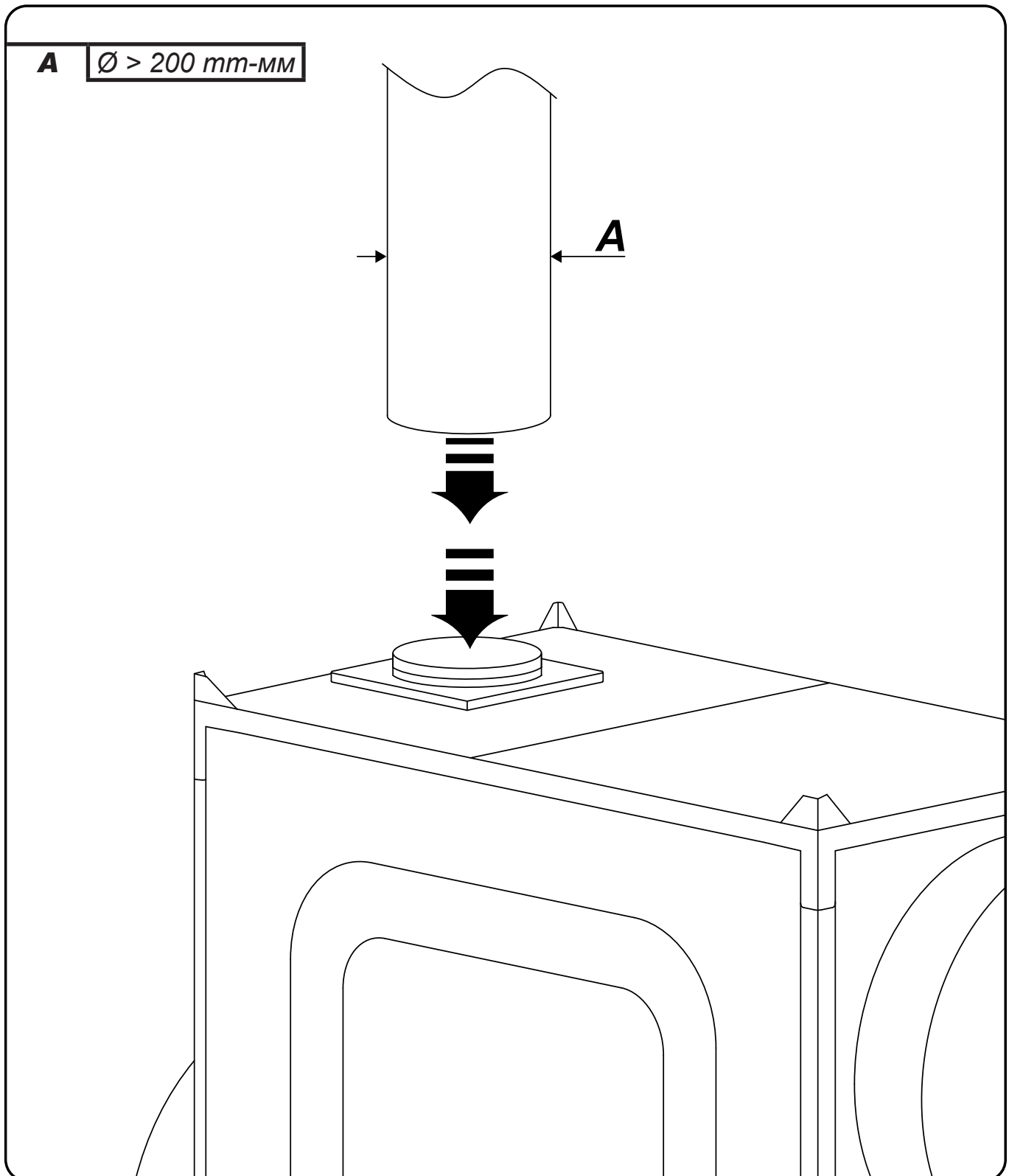
► ► ► 15. ПРОФИЛАКТИКАЛЫҚ ТЕХНИКАЛЫҚ ҚЫЗМЕТ КӨРСЕТУ БАҒДАРЛАМАСЫ

ТОРАП	ТЕХНИКАЛЫҚ ҚЫЗМЕТ КӨРСЕТУ ЖҮЙЕЛІЛІГІ	ТЕХНИКАЛЫҚ ҚЫЗМЕТ КӨРСЕТУ ПРОЦЕДУРАСЫ
Сүзгілер	Жыл сайынғы тазарту және/немесе қажеттілігіне қарай тазарту (бүтіндігін тексеру)	Сүзгілерді тазартыңыз («СҮЗГІЛЕРДІ ТАЗАРТУ» ПАРАГРАФЫН ҚАР.)
Отын сорғысының сүзгілері	Жыл сайынғы тазарту және/немесе қажеттілігіне қарай тазарту (бүтіндігін тексеру)	Сервистік орталыққа жолығыңыз
Электродтар	Қажеттілікке байланысты тазалау	Сервистік орталыққа жолығыңыз
Желдеткіш	Қажеттілікке байланысты тазалау	Сервистік орталыққа жолығыңыз
Жандыру камерасы	Қажеттілікке байланысты тазалау	Сервистік орталыққа жолығыңыз

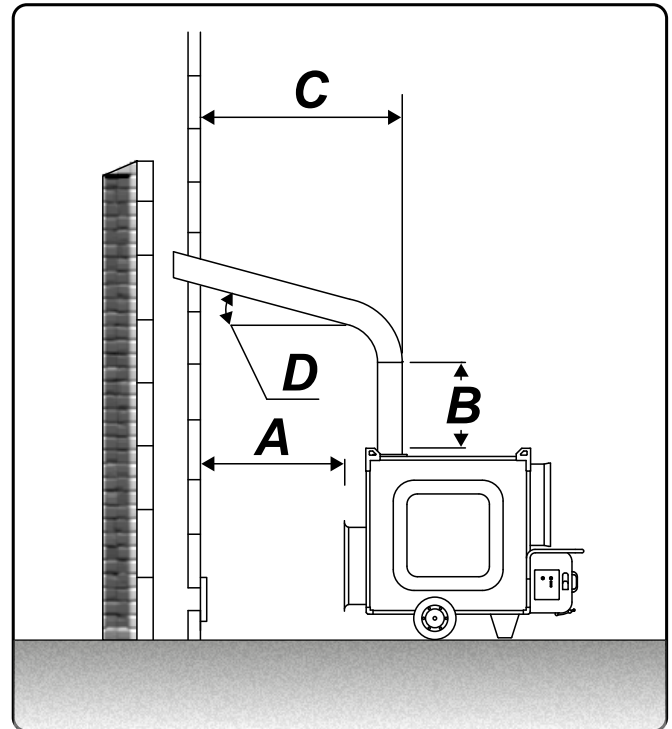
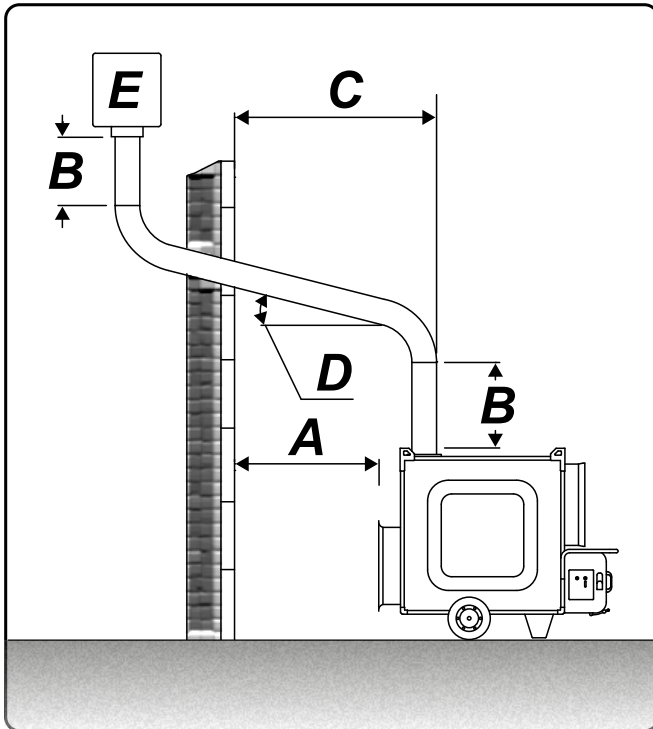
► ► ► 16. ПРОБЛЕМАНЫ АНЫҚТАУ

МӘСЕЛЕ	ЫҚТИМАЛ СЕБЕП	ЫҚТИМАЛ ШЕШІМІ
Жылытқыш іске қосылмайды немесе іске қосулы күйінде қалмайды	<ol style="list-style-type: none"> 1. Кесімді сөндіргіш «0»күйінде 2. Қуаттану көзі жоқ 3. Қуат кабелі ажыратылған 4. Ақаулы электрондық жүйе немесе қалпына келтіру қажеттілігі 5. Бөлме термостатын дұрыс орнатпау (бар болса) 6. Отын жоқ 7. Отын контурында бөгде заттардың болуы 8. Цифрлық термостатта орнатылған аса жоғары температура 9. Электрондық жүйе бұғатталған 	<ol style="list-style-type: none"> 1. Кесімді сөндіргішті ЖАЛЫН қалпына «ЖАЛЫН» орнатыңыз (С СУР. 3) 2a. Қуат сымының ашасын электрмен қуаттандыру розеткасына шегіне дейін сұғыңыз (СУР. 5) 2b. Агрегатыңыздың кернеуінің дұрыстығын тексеріңіз 3. Сервистік орталыққа жолығыңыз 4a. Жылытқыштың жұмыс күйін қалпына келтіріңіз («ЖЫЛЫТҚЫШТЫҢ ЖҰМЫС КҮЙІН ҚАЛПЫНА КЕЛТІРУ» ПАРАГРАФЫН ҚАР.) 4b. Сервистік орталыққа жолығыңыз 5. Бөлме термостатында жұмыс ортасындағы температурадан асатын температураны орнатыңыз (СУР. 6) 6. Отын құйыңыз және қажет болса, жылытқыштың жұмыс күйін қалпына келтіріңіз («ЖЫЛЫТҚЫШТЫҢ ЖҰМЫС КҮЙІН ҚАЛПЫНА КЕЛТІРУ» ПАРАГРАФЫН ҚАР.) 7a. Бакты босатып, оны таза отынмен толтырыңыз 7b. Сүзгілерді тазартыңыз («СҮЗГІЛЕРДІ ТАЗАРТУ» ПАРАГРАФЫН ҚАР.) 7c. Сервистік орталыққа жолығыңыз 8. Термостатта берілген температураны төмендетіңіз («ЭЛЕКТРОНДЫҚ РЕТТЕГІШТІҢ КОНФИГУРАЦИЯСЫ» ПАРАГРАФЫН ҚАР.) 9. Электрондық жүйенің жұмыс жағдайын қалпына келтіріңіз («ЖЫЛЫТҚЫШТЫҢ ЖҰМЫС КҮЙІН ҚАЛПЫНА КЕЛТІРУ» ПАРАГРАФЫН ҚАР.)
Жұмыс істеу барысына жылытқыштан түтін шығады	<ol style="list-style-type: none"> 1. Отын контурында бөгде заттардың болуы 2. Ауа жинағыштың бітеліп қалған 	<ol style="list-style-type: none"> 1a. Бакты босатып, оны таза отынмен толтырыңыз 1b. Сүзгілерді тазартыңыз («СҮЗГІЛЕРДІ ТАЗАРТУ» ПАРАГРАФЫН ҚАР.) 1c. Сервистік орталыққа жолығыңыз 2. Артқы тордағы барлық мүмкін кедергілерді жойыңыз
Жылытқыш өшірілмейді	<ol style="list-style-type: none"> 1. Цифрлық термостатта орнатылған аса төмен температура 2. Ақаулы электрондық жүйе 	<ol style="list-style-type: none"> 1. Термостатта берілген температураны жоғарылатыңыз («ЭЛЕКТРОНДЫҚ РЕТТЕГІШТІҢ КОНФИГУРАЦИЯСЫ» ПАРАГРАФЫН ҚАР.) 2. Сервистік орталыққа жолығыңыз

FLUE CONNECTIONS DIAGRAM - SCHEMA DI FISSAGGIO - HINWEISE FÜR DEN SCHORNSTEINBAU - ESQUEMA DE FIJACIÓN - SCHÉMA DE FIXAGE - BEVESTIGINGSSCHEMA - ESQUEMA DE FIXAÇÃO - FASTSPÆNDINGSSKEMA - KIINNITYSKAAVIO - FESTESKJEMA - MONTERINGSSCHEMA - SCHEMAT MOCOWANIA - СХЕМА КРЕПЛЕНИЯ - SCHEMAT MONTAŻU PRZYŁĄCZA KOMINOWEGO - RÖGZÍTÉSI RAJZ - SHEMA ZA PRITRJEVANJE - SABİTLEME ŞEMASI - SHEMA PRIČVRŠČIVANJA - TVIRTINIMO SCHEMA - NOSTIPRINĀŠANAS SISTĒMA - KINNITAMISE SKHEEM - SCHEMĂ DE FIXARE - SCHEMA ZAPOJENIA DYMOVODU - СХЕМА ЗА ЗАКРЕПВАНЕ - СХЕМА КРИПЛЕННЯ - ŞEMA PRIČVRŠČIVANJA - ΣΧΗΜΑ ΣΤΕΡΕΩΣΗΣ - 固定装置示意图 - БЕКИТУ СУЛБЕСИ

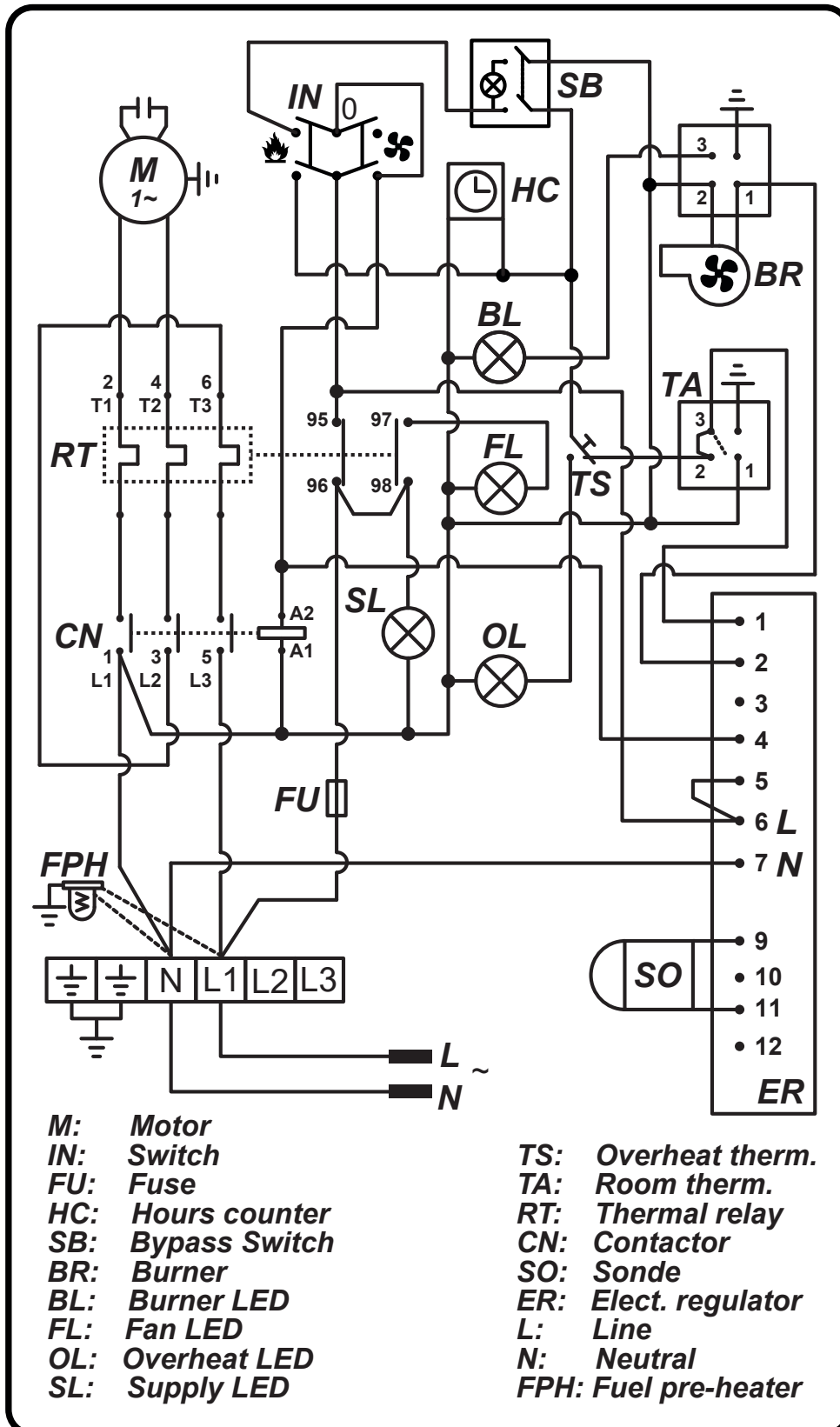


DUCTING INSTRUCTIONS - INDICAZIONI PER LA CANALIZZAZIONE - HINWEISE FÜR DEN SCHORNSTEINBAU - INDICACIÓN PARA LA CANALIZACIÓN - INDICATIONS POUR LA CANALISATION - AANWIJZINGEN VOOR DE KANALISERING - INDICAÇÕES PARA A CANALIZAÇÃO - ANVISNINGER TIL KANALISERING - KANAVOINTIOHJEET - INDIKASJONER FOR KANALISERING - ANVISNINGAR FÖR KANALISERING - ZALECENIA ODNOŚNIE MONTAŻU INSTALACJI KOMINOWEJ - УКАЗАНИЯ ДЛЯ КАНАЛИЗАЦИИ - SCHÉMA ZAPOJENÍ KOUŘOVODU - ÚTMUTATÓ CSŐRENDSZER KIÉPÍTÉSÉHEZ - NAVODILA ZA KANALIZIRANJE - KANALİZASYON TALİMATLARI - INDIKACIJE ZA SPROVOĐENJE U CIJEVI - ΝΥΡΟΔΥΜΑΙ ΔΕΛ ΟΡΟ ΙΣΧΛΕΙΔΙΜΟ - CAURUȚVADU INDİKĂCIJAS - TORU PAIGALDAMISE JUHEND - INDICAȚII PRIVIND DIRECȚIONAREA - SCHÉMA ZAPOJENIA DYMOWODU - УКАЗАНИЯ ЗА КАНАЛИЗАЦИЯТА - ВКАЗІВКИ З ВИКОНАННЯ КАНАЛІВ - INDIKACIJE ZA SPROVOĐENJE U CIJEVI - ΟΔΗΓΙΕΣ ΓΙΑ ΤΗ ΔΙΟΧΕΤΕΥΣΗ - 管道设置说明 - КӘРІЗ ЖҮЙЕСІНЕ АРНАЛҒАН НҮСҚАУЛАР



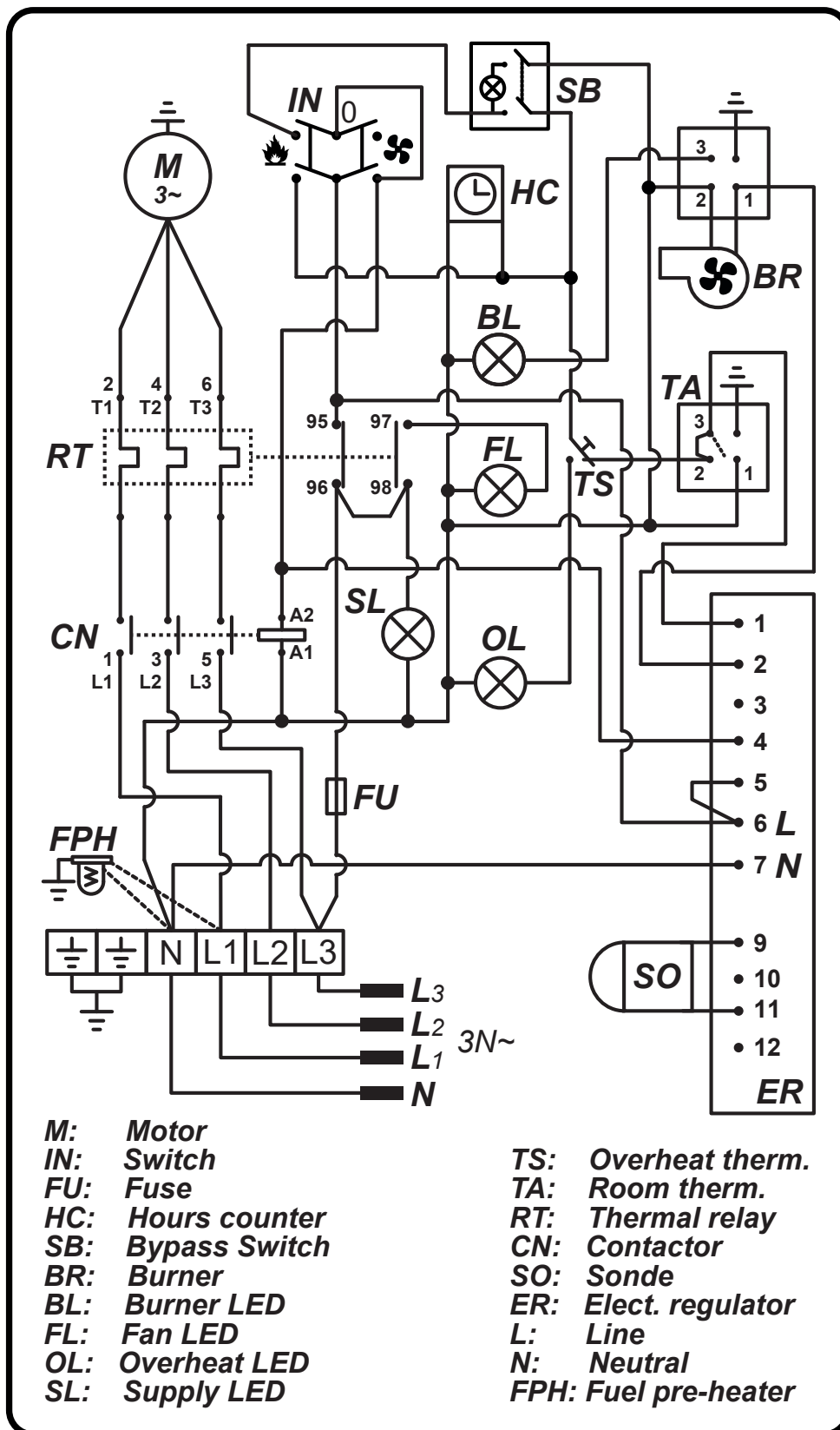
A	> 1 m-m
B	≥ 1 m-m
C	As short as possible - Il piu corto possibile - Die kürzestmögliche - Tan corto como sea posible - Le plus court possible - Zo kort mogelijk - O mais curto possível - Så kort som muligt - Mahdollisimman lyhyt - Kortest mulig - Så kort som möjligt - Möglichwie jak najkrótszy - Nasadka kominowa - Как можно короче - Co možná nejkratší - Lehető legrövidebb - Najkrajše - Mүmkүн olduğunca kısa - Što su kraće moguće - Kiek įmanoma trumpesnis - Pēc iespējas īsākas - Vöimalikult lühike - Cât mai scurt posibil - Pókial možno čo najkratšie - Възможно най-късият - Найбільш короткий шлях, по можливості - Što su kraće moguće - Όσο πιο μικρό γίνεται - 尽量短 - Мүмкіндігінше қысқарақ
D	> 5°
E	Windproof terminal - Terminale antivento - Windschutzanschluss - Terminal antiviento - Terminal anti-vent - Windkerend eindpunt - Terminal antivento - Vindafskærmning - Tuulenpitävä terminali - Vindtett terminal - Vindskyddat rörlut - Nasadka kominowa - Ветрозащитный наконечник - Koncový díl proti větru - Szélálló csatlakozás - Terminal proti vetru - Rüzgar geçirmez terminal - Završni dio otporan na vjetar - Apsaugojantis nuo vėjo terminalas - Vēja aizsardzības termināls - Tuulekindel tagumine osa - Terminal anti-vânt - Koncový díel proti vetru - Терминално устройство за предпазване от вятър - Кінцевий пристрій для захисту димоходу від вітру - Završni dio otporan na vjetar - Αντιανεμικό τερματικό - 防风终端 - Желден қорғайтын ұштық

WIRING DIAGRAMS - SCHEMI ELETTRICI - SCHALTPLÄNE - ESQUEMAS ELÉCTRICOS - SCHEMAS ELECTRIQUES - ELEKTRISCHE SCHEMA'S - ESQUEMAS ELÉCTRICOS - ELEKTRISKE SKEMAER - SÄHKÖKAAVIOT - KOPLINGSSKJEMA - ELEKTRISKA KOPPLINGSSCHEMAN - SCHEMATY ELEKTRYCZNE - ЭЛЕКТРИЧЕСКИЕ СХЕМЫ - ELEKTRICKÁ SCHÉMATA - VILLANYBEKÖTÉSI RAJZOK - ELEKTRIČNE SHEME - ELEKTRİK ŞEMALARI - ELEKTRIČNE SHEME - ELEKTROS SCHEMOS - ELEKTRISKĀS SHĒMAS - ELEKTRISKEEMID - SCHEME ELECTRICE - ELEKTRICKÉ SCHÉMY - ЭЛЕКТРИЧЕСКИ СХЕМИ - ЭЛЕКТРИЧНИ СХЕМИ - ELEKTRIČNE ŠEME - НЛЕКТРИКА СХЕДИΑ - 线路图 - ЭЛЕКТРЛІ СУЛБЕЛЕР



BV 471S - BV 471SR - BV 691S

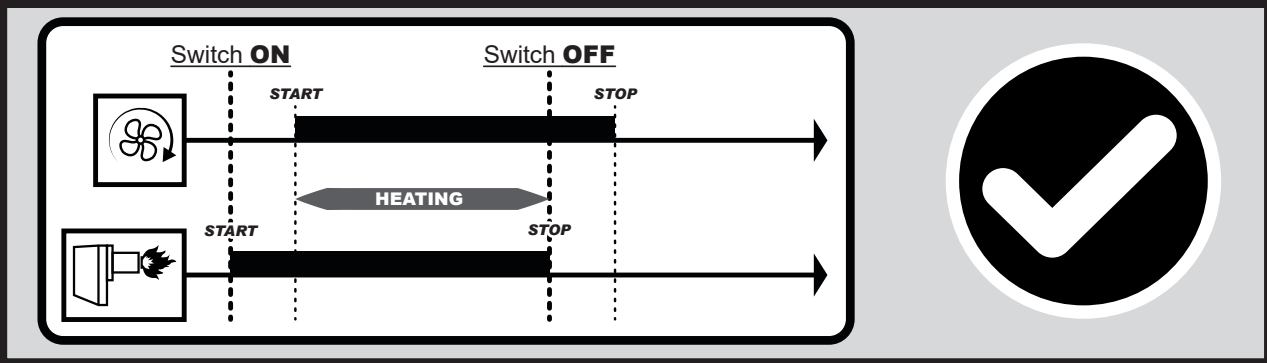
WIRING DIAGRAMS - SCHEMI ELETTRICI - SCHALTPLÄNE - ESQUEMAS ELÉCTRICOS - SCHEMAS ELECTRIQUES - ELEKTRISCHE SCHEMA'S - ESQUEMAS ELÉCTRICOS - ELEKTRISKE SKEMAER - SÄHKÖKAAVIOT - KOPLINGSSKJEMA - ELEKTRISKA KOPPLINGSSCHEMAN - SCHEMATY ELEKTRYCZNE - ЭЛЕКТРИЧЕСКИЕ СХЕМЫ - ELEKTRICKÁ SCHÉMATA - VILLANYBEKÖTÉSI RAJZOK - ELEKTRIČNE SHEME - ELEKTRİK ŞEMALARI - ELEKTRIČNE SHEME - ELEKTROS SCHEMOS - ELEKTRISKĀS SHĒMAS - ELEKTRISKEEMID - SCHEME ELECTRICHE - ELEKTRICKÉ SCHÉMY - ЭЛЕКТРИЧЕСКИ СХЕМИ - ELEKTRICHI СХЕМИ - ELEKTRIČNE ŠEME - НЛЕКТРИКА ΣΧΕΔΙΑ - 线路图 - ЭЛЕКТРЛІ СУЛБЕЛЕР



BV 691T - BV 691TR

ELECTRONIC REGULATOR CONFIGURATION - CONFIGURAZIONE DEL REGOLATORE ELETTRONICO - KONFIGURATION DES ELEKTRONISCHEN REGLERS - CONFIGURACIÓN DEL REGULADOR ELECTRÓNICO - CONFIGURATION DU RÉGULATEUR ÉLECTRONIQUE - CONFIGURATIE VAN DE ELEKTRONISCHE REGELAAR - CONFIGURAÇÃO DO REGULADOR ELETRÓNICO - KONFIGURERING AF DEN ELEKTRONISKE REGULERINGSENHED - ELEKTRONISEN SÄÄTIMEN KONFIGUROINTI - KONFIGURASJON AV DEN ELEKTRONISKE REGULATOREN - KONFIGURATION AV DEN ELEKTRONISKA REGULATOREN - KONFIGURACJA REGULATORA ELEKTRONICZNEGO - КОНФИГУРАЦИЯ ЭЛЕКТРОННОГО РЕГУЛЯТОРА - NASTAVENÍ ELEKTRONICKÉHO REGULÁTORU - AZ ELEKTROMOS SZABÁLYOZÓ KONFIGURÁLÁSA - KONFIGURACIJA ELEKTRONSKEGA REGULATORJA - ELEKTRONİK REGÜLATÖR KONFIGÜRASYONU - KONFIGURACIJA ELEKTRONSKOG REGULATORA - ELEKTRONINIO REGULATORIAUS KONFIGŪRAVIMAS - ELEKTRONISKĀ REGULATORA KONFIGURĀCIJA - ELEKTRONILISE REGULAATORI KONFIGURATSIOON - CONFIGURAREA REGULATORULUI ELECTRONIC - NASTAVENIE ELEKTRONICKÉHO REGULÁTORA - КОНФИГУРИРАНЕ НА ДИГИТАЛНИЯ ТЕРМОСТАТ - КОНФИГУРАЦИЯ ЭЛЕКТРОННОГО РЕГУЛЯТОРА - KONFIGURACIJA ELEKTRONSKOG KONTROLERA - ΔΙΑΜΟΡΦΩΣΗ ΤΟΥ ΗΛΕΚΤΡΟΝΙΚΟΥ ΡΥΘΜΙΣΤΗ - 电气调节器的配置 - ЭЛЕКТРОНДЫҚ РЕТТЕГІШТІҢ КОНФИГУРАЦИЯСЫ

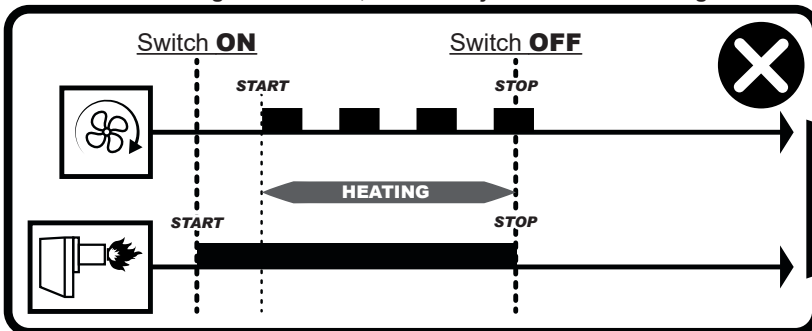
CORRECT FUNCTIONING OF THE HEATER



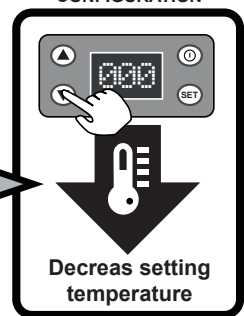
SETTING

LOW AMBIENT TEMPERATURE

Incorrect functioning of the heater, need to adjust the electronic regulator.

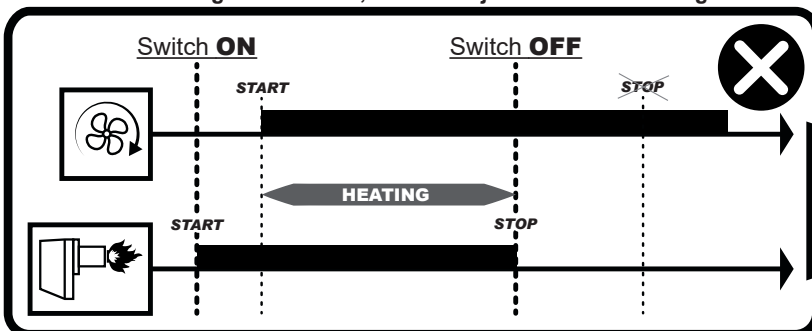


INSTRUCTION FOR THE ELECTRONIC REGULATOR CONFIGURATION

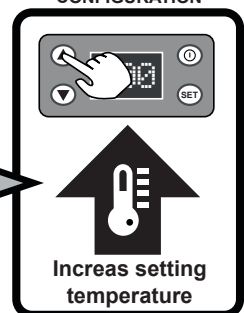


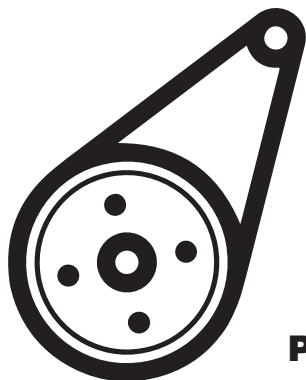
HIGHT AMBIENT TEMPERATURE

Incorrect functioning of the heater, need to adjust the electronic regulator.



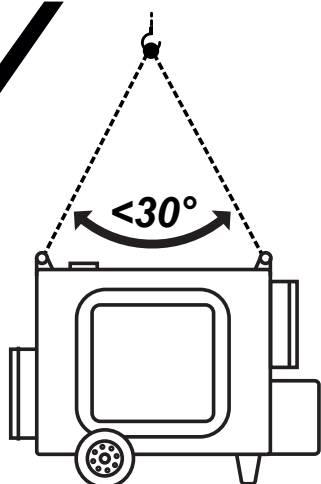
INSTRUCTION FOR THE ELECTRONIC REGULATOR CONFIGURATION



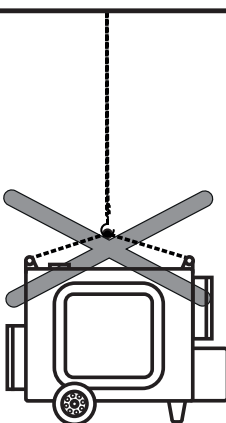


UNPLUG HEATER BEFORE MAINTENANCE

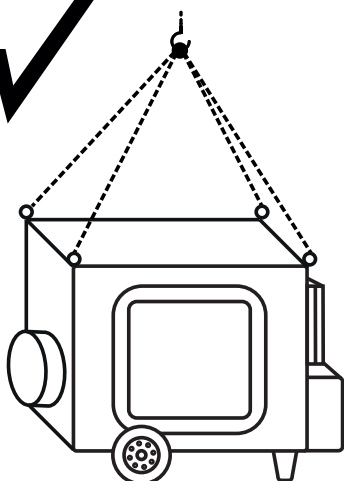
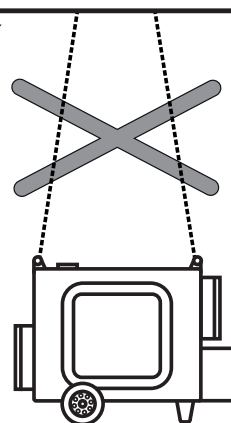
PERIODICALLY CHECK TENSION BELT TYPE: SPA



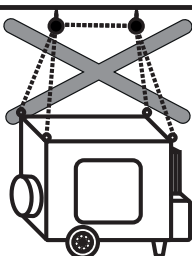
X



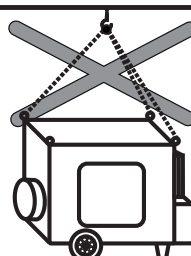
X



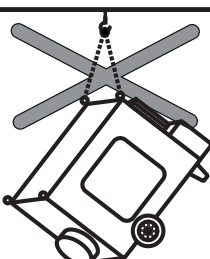
X



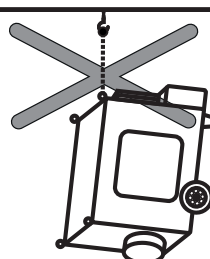
X



X



X



CE CONFORMITY CERTIFICATE



CE CONFORMITY CERTIFICATE - DICHIARAZIONE DI CONFORMITÀ CE - EG-KONFORMITÄTSERKLÄRUNG - DECLARACIÓN DE CONFORMIDAD CE - DECLARATION DE CONFORMITE CE - EG-CONFORMITEITVERKLARING - DECLARAÇÃO DE CONFORMIDADE CE - EU-OVERENSSTEMMELSESERKLÆRING - EY-VAATIMUSTENMUKAISUUSVAKUUTUS - CE-SAMSVARSERKLÆRING - EG-FÖRSÄKRAN OM ÖVERENSSTÄMMELSE - DEKLARACJA ZGODNOŚCI WE - ДЕКЛАРАЦИЯ О СООТВЕТСТВИИ CE - PROHLÁŠENÍ O SHODĚ CE - EK MEGFELELŐSÉGI NYILATKOZAT - IZJAVA O SKLADNOSTI IN OZNAKA CE - CE UYGUNLUK BEYANI - IZJAVA CE O SUKLADNOSTI - ES ATITIKTIES DEKLARACIJA - EK ATBILSTĪBAS - DEKLARĀCIJA - EÜ VASTAVUSDEKLARATSIOON - DECLARAȚIE DE CONFORMITATE CE - PREHLÁSENIE O ZHODE CE - ДЕКЛАРАЦИЯ ЗА СЪВМЕСТИМОСТ CE - ДЕКЛАРАЦИЯ ВІДПОВІДНОСТІ CE - IZJAVA CE O PRIKLADNOSTI ΔΗΛΩΣΗ ΣΥΜΜΟΡΦΩΣΗΣ CE - CE 符合性声明

DANTHERM S.p.A. Via Gardesana 11, -37010- Pastrengo (VR), ITALY

Product: - Prodotto: - Produkt: - Producto: - Produit: - Product: - Produto: - Produkt: - Tuote: - Produkt: - Produkt: - Produkt: - Изделие: - Výrobek: - Termék: - Izdelek: - Ürün: - Proizvod: - Gaminys: - Ierīce: - Toode: - Produsul: - Výrobok: - Продукт: - Виріб: - Proizvod: - Προϊόν: - 产品:

BV 471S - BV 471SR - BV 691S - BV 691T - BV 691TR

We declare that it is compliant with: - Si dichiara che è conforme a: - Es wird als konform mit den folgenden Normen erklärt: - Se declara que está en conformidad con: - Nous déclarons sa conformité à: - Hierbij wordt verklaard dat het product conform is met: - Declara-se que está em conformidade com: - Vi erklærer at produktet er i overensstemmelse med: - Vakuutetaan olevan yhdenmukainen: - Man erklærer at apparatet er i overensstemmelse med: - Härmed intygas det att produkten är förenlig med följande: - Oświadczam się, że jest zgodny z: - Заявляем о соответствии требованиям: - Prohlašuje se, že je v souladu s: - Kijelentjük, hogy a termék megfelel az alábbiaknak: - Izpolnjuje zahteve: - Aşağıdaki standartlara uygun olduğunu beyan ederiz: - Izjavljuje se da je u skladu s: - Pareiškiame, kad atitinka: - Tiek deklarēts, ka atbilst: - Kāesolevaga deklareeritakse, et toode vastab: - Declarăm că este conform următoarelor: - Prehlasuje sa, že je v súlade s: - Декларира се че отговаря на: - Відповідає вимогам: - Izjavljuje se da je u skladu s: - Δηλώνουμε ότι είναι σύμφωνο με: - 兹证明符合:

2014/30/EU, 2014/35/EU

EN 62233:2008, EN 61000-3-2:2014, EN 61000-3-3:2013, EN 55014-1:2006/A2:2011, EN 55014-2:2015, EN 60335-1:2012/A11:2014, EN 60335-2-102:2016

Pastrengo, 2022

Stefano Verani (Member of the Board)

► en - DISPOSAL OF THE PRODUCT

-This product has been designed and manufactured with top-quality materials and components, which can be re-cycled and re-used.
-When a crossed-wheely bin symbol is attached to the product, it means that the product is protected by the, 2012/19/UE European Directive.

-Please obtain information regarding the local differentiated collection system for electrical and electronic products.

-Respect local Standards in force and do not dispose of old products as normal domestic waste. Correct disposal of the product helps to prevent possible negative consequences for health, the environment and mankind.

► it - SMALTIMENTO DEL PRODOTTO

-Questo prodotto è stato progettato e fabbricato con materiali e componenti di alta qualità, che possono essere riciclati e riutilizzati.

-Quando ad un prodotto è attaccato il simbolo del bidone con le ruote segnato da una croce, significa che il prodotto è tutelato dalla Direttiva Europea 2012/19/UE.

-Si prega di informarsi in merito al sistema locale di raccolta differenziata per i prodotti elettrici ed elettronici.

-Rispettare le norme locali in vigore e non smaltire i prodotti vecchi nei normali rifiuti domestici. Il corretto smaltimento del prodotto aiuta ad evitare possibili conseguenze negative per la salute dell'ambiente e dell'uomo.

► de - ENTSORGUNG DES PRODUKTS

-Dieses Produkt wurde unter Verwendung von Qualitätsmaterialien und -bauteilen entwickelt und hergestellt, die recycelt und wieder verwendet werden können.

-Ist ein Produkt gekennzeichnet durch die Mülltonne mit Rädern und einem Kreuz, wird hier angezeigt, dass dieses Produkt durch die europäische Richtlinie 2012/19/UE überwacht ist.

-Es wird gebeten, sich über die vor Ort bestehende Mülltrennung bezüglich elektrischer und elektronischer Produkte zu informieren.

-Die vor Ort geltenden Vorschriften zur Müllentsorgung müssen eingehalten werden und alte Produkte dürfen nicht zusammen mit dem Hausmüll entsorgt werden. Die ordnungsgemäße Entsorgung des Produkts hilft mögliche negative Folgen für Gesundheit und Umwelt zu vermeiden.

► es - ELIMINACIÓN DEL PRODUCTO

-Este producto ha sido diseñado y fabricado con materiales y componentes de alta calidad que se pueden reciclar y reutilizar.

-Cuando en el producto se encuentra el símbolo del contenedor con las ruedas tachado con una cruz, significa que el producto está tutelado por la Directiva europea 2012/19/UE.

-Se ruega informarse acerca del sistema local de recogida selectiva para los productos eléctricos y electrónicos.

-Respete las normas locales vigentes y no elimine los productos viejos junto con los residuos domésticos normales. La eliminación correcta del producto ayuda a evitar posibles consecuencias negativas para la salud del ambiente y del hombre.

► fr - SE DÉBARRASSER DE VOTRE PRODUIT USAGÉ

-Ce produit a été conçu et fabriqué avec des matériaux et des composants de haute qualité, qui peuvent être recyclés et utilisés de nouveau.

-Lorsque le symbole d'une poubelle à roue barrée est appliqué à un produit, cela signifie que le produit est couvert par la Directive Européenne 2012/19/UE.

-Veuillez vous informer du système local de séparation des déchets électriques et électroniques.

-Veuillez agir selon les règles locale set ne pas jeter vos produits usagés avec les déchets domestiques usuels. Jeter correctement votre produit usagé aidera à prévenir les conséquences négatives potentielles contre l'environnement et la santé humaine.

► nl - VERWIJDERING VAN HET PRODUCT

-Dit product werd ontworpen en gemaakt met hoogwaardige materialen en componenten, die gerecycleerd en herbruikt kunnen worden.

-Wanneer op een product het symbool van de afvalbak op wielen met een kruis erdoor is aangebracht, betekent dit dat het product valt onder de Europese Richtlijn 2012/19/UE.

-Gelieve inlichtingen in te winnen betreffende het plaatselijke systeem voor gedifferentieerde inzameling van elektrische en elektronische toestellen.

-Respecteer de plaatselijke normen die van kracht zijn, en verwijder de oude toestellen niet als gewoon huishoudelijk afval. Een correcte verwijdering van het product helpt om mogelijke negatieve gevolgen voor de gezondheid van mens en milieu te voorkomen.

► pt - ELIMINAÇÃO DO PRODUTO

-Este produto foi projetado e fabricado com materiais e componentes de alta qualidade que podem ser reciclados e reutilizados.

-Quando for afixado em um produto o símbolo do bidão com rodas marcado com uma cruz, significa que o produto é protegido pela Diretiva Europeia 2012/19/UE.

-Solicitamos informar-se sobre o sistema local de recolha diferenciada para os produtos elétricos e eletrónicos.

-Respeitar as normas locais em vigor e não eliminar os produtos antigos como normais detritos domésticos. A correta eliminação do produto ajuda a evitar possíveis consequências negativas para a saúde do ambiente e do homem.

► da - BORTSKAFFELSE

-Dette produkt er designet og fremstillet med materialer og dele af høj kvalitet, der kan genanvendes.

-Når et produkt er mærket med symbolet, der viser en affaldsspand på hjul med et kryds over, betyder det, at produktet er beskyttet af EF-Direktiv 2012/19/UE.

-Der henstilles til, at man informerer sig angående det lokale affaldssorteringssystem for elektriske og elektroniske produkter.

-De gældende lokale regler skal overholdes, og de gamle produkter må ikke bortskaffes sammen med husholdningsaffaldet. Ved at bortskaffe dette produkt korrekt, medvirker De til at forhindre eventuelle negative påvirkninger af miljøet og folkesundheden.

► fi - TUOTTEEN HÄVITTÄMINEN

-Tämä tuote on suunniteltu ja valmistettu korkealaatuisia materiaaleja ja osia käyttämällä, jotka voidaan kierrättää ja käyttää uudelleen.

-Kun tuotteeseen on kiinnitetty viivattu roskasäiliön merkki, se tarkoittaa, että tuotetta suojaa Euroopan yhteisön direktiivi 2012/19/UE.

-Hanki tietoja paikallisesta sähkö- ja elektroniikkaromujen erilliskeräyksestä.

-Noudata voimassa oleva määräyskiä äläkä hävitä vanhoja tuotteita kotitalousjätteiden mukana. Tuotteen oikea hävittäminen auttaa suojelemaan luontoa ja välttää väärän romutuksen aiheuttamien terveysriskien syntymistä.

► no - AVFALLSHÄNDTERING

-Dette produktet er utformet og produsert med materialer og deler av høy kvalitet, og som kan gjenvinnes.

-Når det på et produkt finnes et symbol som forestiller en avfallsbeholder med et kryss over, betyr dette at produktet er underlagt EU-direktiv 2012/19/UE.

-Vennligst informer dere angående de lokale reglene som gjelder kassering av elektrisk og elektronisk avfall.

-Ta hensyn til gjeldende regelverk og ikke kast gamle produkter sammen med husholdningsavfall. Riktig avfallshåndtering av produktet bidrar til å unngå potensielle negative konsekvenser for miljøet og menneskenes helse.

► sv - PRODUKTENS BORTSKAFFANDE

-Den här produkten har projekterats och tillverkats med material och komponenter av hög kvalitet som kan återvinnas och återanvändas.

-När ett klistermärke med en symbol med överkorsad soptunna med hjul sitter på produkten, betyder detta att produkten är skyddad av Eu-direktiv 2012/19/UE.

-Vi ber er inhämta upplysningar vid er lokala återvinningsstation för elektriska och elektroniska produkter.

-Följ lokala gällande bestämmelser och skaffa inte bort förbrukade produkter i det vanliga hushållsavfallet. Ett korrekt bortskaffande av produkten hjälper till att undvika möjliga negativa effekter på miljö- och människohälsa.

► pl - UTYLIZACJA PRODUKTU

-Niniejszy produkt został wyprodukowany z najwyższej jakości materiałów, które mogą być poddane recyklingowi i zostać ponownie użyte.

-Symbol przekreślonego kosza na śmieci umieszczony na sprzęcie, opakowaniu lub dokumentach do niego dołączonych oznacza, że produktowi nie wolno wyrzucać łącznie z innymi odpadami. Obowiązkiem użytkownika jest przekazanie zużytego sprzętu do wyznaczonego punktu zbiórki w celu właściwego jego przetworzenia. Oznakowanie oznacza jednocześnie, że sprzęt został wprowadzony do obrotu po dniu 13 sierpnia 2005 r.

-Należy zapoznać się z lokalnym systemem zbiórki produktów elektronicznych i elektrycznych.

-Informacje o dostępnym systemie zbierania zużytego sprzętu elektrycznego można znaleźć w punkcie informacyjnym sklepu oraz w urzędzie miasta/gminy.

-Odpowiednie postępowanie ze zużytym sprzętem zapobiega negatywnym konsekwencjom dla środowiska i ludzkiego zdrowia!

► cs - LIKVIDACE VÝROBKU

-Tento výrobek byl navržen a vyroben z vysoce kvalitních materiálů a komponentů, které lze recyklovat a znovu použít.

-Je-li na výrobku symbol přeškrtnutého kontejneru, znamená to, že na výrobek se vztahuje Evropská Směrnice 2012/19/UE.

-Informujte se o místním systému pro oddělený sběr elektrických a elektronických výrobků.

-Dodržujte místní předpisy a nelikvidujte staré produkty spolu s běžným komunálním odpadem. Správná likvidace výrobku pomůže předcházet možným negativním dopadům na životní prostředí a lidské zdraví.

► hu - HULLADÉKBA HELYEZÉS

-A termék kiváló minőségű újrahasznosítható és újból felhasználható alkotóelemek felhasználásával készült.

-Ha terméken elhelyezésre került az áthúzott hulladékgyűjtőt ábrázoló jel, az azt jelenti, hogy a termékre a 2012/19/UE irányelv vonatkozik.

-Kérjük, tájékozódjon az elektromos és elektronikus hulladékok szelektív gyűjtéséről.

-Tartsa be a helyben hatályos előírásokat, és ne a terméket ne helyezze a háztartási hulladékgyűjtőbe. A megfelelő hulladékgyűjtéssel elkerülhető, hogy a hulladékok károsítsák a környezetet ill. az emberi egészséget.

► sl - ODLAGANJE IZDELKA

- Ta izdelek je bil zasnovan in izdelan iz materialov in komponent visoke kakovosti, ki jih je mogoče reciklirati in ponovno uporabiti.
- Ko je izdelek označen z znamenjem prekrižanega smetnjaka na kolesih, pomeni, da zanj veljajo določbe evropske Direktive 2012/19/UE.
- Pozanimajte se o načinu ločenega zbiranja električne in elektronske opreme, ki velja v vašem kraju.
- Upoštevajte veljavne predpise in odsluženih izdelkov ne odlagajte med gospodinjske odpadke. Pravilno odlaganje izdelka prispeva k izogibanju morebitnim negativnim posledicam za zdravje okolja in ljudi.

► tr - ÜRÜNÜN İMHA EDİLMESİ

- Bu ürün, geri dönüştürülüp tekrar kullanılabilen, yüksek kaliteli malzeme ve bileşenler kullanılarak tasarlanıp üretilmiştir.
- Herhangi bir üründe, üzerinde çarpı işareti bulunan tekerlekli bidon bulunuyorsa bu, ürünün 2012/19/UE Avrupa Direktifi tarafından konduğu belirtilir.
- Lütfen bulunduğunuz bölgedeki elektrikli ve elektronik aletler için olan çöp ayrıştırma sistemi ile ilgili bilgi edininiz.
- Konuyla ilgili yerel düzenlemelere uyunuz ve eski ürünleri normal evsel atıklarla beraber atmayınız. Ürünün doğru şekilde imha edilmesi, çevre ve insan sağlığını tehdit edici olumsuz sonuçların önlenmesine yardımcı olur.

► hr - ODBACIVANJE PROIZVODA

- Ovaj je proizvod osmišljen i izrađen s visokokvalitetnim materijalima i komponentama koje se mogu reciklirati i ponovno iskoristiti.
- Kada se na proizvod stavi simbol prekrižene kante na kotačima, to znači da je on podvrgnut Europskoj Smjernici 2012/19/UE.
- Informirajte se u svezi s lokalnim načinom diferencijalnog sakupljanja električnih i elektronskih proizvoda.
- Pošaljite lokalne propise na snazi i ne odbacujte stare proizvode zajedno sa običnim kućnim otpadom. Pravilnim odbacivanjem proizvoda spriječite čete moguće negativne posljedice za okoliš i za zdravlje ljudi.

► lt - GAMINIO SUNAIKINIMAS

- Šis gaminys buvo sukurtas ir pagamintas iš aukštos kokybės medžiagų bei dalių, kurios gali būti perdirbtos arba panaudotos dar kartą.
- Kai gaminys yra pažymėtas perbraukto atliekų konteinerio su ratukais ženklu, tai reiškia, kad gaminys yra saugomas pagal ES direktyvą 2012/19/UE.
- Prašome pasidomėti apie vietinę elektros ir elektronikos atliekų rūšiavimo sistemą.
- Laikykites vietinių galiojančių taisyklių ir nemeskite senų gaminių su įprastomis buitinėmis atliekomis. Tinkamai sunaikinę gaminių išvengsite galimų neigiamų pasekmių aplinkai ir žmonių sveikatai.

► lv - PRODUKTA IZNĪCINĀŠANA

- Šis produkts tika izveidots un ražots ar augstas kvalitātes materiāliem un sastāvdaļām, kas var būt savāktas un atkārtoti izmantotas.
- Kad pie produkta ir piestiprināts atkritumu tvertnes simbols ar riteņiem, kas ir pārsvītrots ar krustu, tas nozīmē, ka produktu aizstāv Eiropas Direktīva 2012/19/UE.
- Lūdzam Jūs gūt informāciju par vietēju centru, kas savāc elektriskās un elektroniskā ierīces.
- Ievērot vietējās pastāvošās normas un neiznīcināt vecus produktus, kā parastus mājas atkritumus. Produkta pareizā iznīcināšana palīdz izvairīties no iespējamām negatīvām sekām vides un cilvēku veselībai.

► et - TOOTE KASUTUSEST KÕRVALDAMINE

- See toode on projekteeritud ja toodetud kvaliteetsetest materjalidest ja osadest, mida võib uuesti ringlusse võtta ja korduskasutada.
- Kui tootel on märk, millel on ratastega prügikast, millele on rist peale tõmmatud, tähendab see, et toodet kaitseb Euroopa direktiiv 2012/19/UE.
- Palun tutvuge kohaliku elektri- ja elektroonikatoodete lahuskogumise süsteemiga.
- Täitke kehtivaid kohalikke õigusnorme ning ärge visake vana toodet olmejäätmete hulka. Toote õige kõrvaldamine aitab vältida võimalikke negatiivseid tagajärgi keskkonna ja inimeste tervisele.

► ro - SCOATEREA DEFINITIVĂ DIN UZ A PRODUSULUI

- Acest produs a fost proiectat și fabricat cu materiale și componente de înaltă calitate care pot fi reciclate și refolosite.
- Când pe produs este aplicat simbolul unei pubele cu roți, marcată cu o cruce, înseamnă că produsul respectiv este conform Directivei Europene 2012/19/UE.
- Vă rugăm să vă informați în ceea ce privește colectarea separată a produselor electrice și electronice.
- Respectați normele locale în vigoare și nu depozitați produsele vechi împreună cu deșeurile menajere. Eliminarea corectă a produsului ajută la eliminarea consecințelor negative pe care acesta le poate avea asupra mediului înconjurător și a persoanelor.

► sk - LIKVIDÁCIA VÝROBKU

- Tento výrobok bol navrhnutý a vyrobený z vysoko kvalitných materiálov a komponentov, ktoré je možné recyklovať a znovu použiť.
- Ak je na výrobku symbol prekrižnutého kontajnera, znamená to, že na výrobok sa vzťahuje Európska Smernica 2012/19/UE.
- Informujte sa o miestnom systéme pre oddelený zber elektrických a elektronických výrobkov.
- Dodržujte miestne predpisy a nelikvidujte staré produkty spolu s bežným komunálnym odpadom. Správna likvidácia výrobku pomôže predchádzať možným negatívnym dopadom na životné prostredie a ľudské zdravie.

► bg - ИЗХВЪРЛЯНЕ НА УРЕДА

-Това изделие е проектирано и произведено с материали и компоненти от високо качество, които могат да се рециклират или използват повторно.

-Когато на някое изделие е поставен символ с бидон на колелца, маркиран с хикс, това означава, че изделието е защитено съгласно Европейска Директива 2012/19/UE.

-Моля да се информирате относно местната система за разделно изхвърляне на електрически и електронни изделия.

-Спазвайте действащите местни нормативи и не изхвърляйте изделията, заедно с нормалните домакински отпадъци. Правилното изхвърляне на изделията, помага за избягване на възможни отрицателни последици, за здравето на хората и за опазване на околната среда.

► uk - УТИЛІЗАЦІЯ ВИРОБУ

-Цей виріб був спроектований і вироблений з використанням високоякісних матеріалів і комплектуючих, які можуть бути повторно перероблені і використані.

-Якщо на виріб нанесено символ перекресленого бака з колесами для сміття, це означає, що виріб відповідає Директиві Європейського Союзу 2012/19/UE.

-Просимо ознайомитися з інформацією щодо місцевої системи роздільного збору сміття для електричного і електронного обладнання.

-Дотримуйтесь чинних місцевих правил і не викидайте старі вироби до звичайних побутових відходів. Правильна утилізація виробу допомагає уникнути можливих негативних наслідків для довкілля і здоров'я людей.

► bs - ODLAGANJE PROIZVODA

-Ovaj je proizvod dizajniran i proizveden korištenjem materijala i komponenata visoke kvalitete koji se mogu reciklirati i ponovo koristiti.

-Kada se na ovaj proizvod postavi simbol prekrizene kante /obilježene krstom na točkovima, to znači da je proizvod podložan Evropskoj Direktivi 2012/19/UE.

-Molimo Vas da se informirate o lokalnom sistemu diferencijalnog sakupljanja električnih i elektronskih proizvoda.

-Poštujte lokalne propise na snazi i ne odbacujte stare proizvode u obični kućanski otpad. Pravilno odlaganje proizvoda pomaže i onemogućuje negativne posljedice za zdravlje ljudi i okoliša

► el - ΔΙΑΘΕΣΗ ΤΟΥ ΠΡΟΪΟΝΤΟΣ

-Το προϊόν αυτό σχεδιάστηκε και κατασκευάστηκε με υλικά και εξαρτήματα υψηλής ποιότητας, τα οποία μπορούν να ανακυκλωθούν και να ξαναχρησιμοποιηθούν.

-Όταν ένα προϊόν είναι συνδεδεμένο με το σύμβολο του διαγεγραμμένου τροχοφόρου σημειωμένο με ένα σταυρό, σημαίνει ότι το προϊόν καλύπτεται από την Ευρωπαϊκή Οδηγία 2012/19/UE.

-Σας συνιστούμε να ενημερωθείτε σχετικά με το τοπικό σύστημα συλλογής για την ανακύκλωση ηλεκτρικών και ηλεκτρονικών προϊόντων.

-Τηρήστε τους τοπικούς κανονισμούς που ισχύουν και μην απορρίψετε τα παλαιά προϊόντα στα οικιακά απορρίμματα. Η σωστή διάθεση του προϊόντος βοηθά στην αποφυγή πιθανών αρνητικών συνεπειών για την υγεία του περιβάλλοντος και του ανθρώπου.

► zh - 弃置旧的产品

-该产品是由高质量的原材料和零配件生产而成的，可以进行回收再利用

-当这个标识标签出现在产品上时，它表明这个产品符合 European Directive 2012/19/UE 标准。

-请熟知产品实际使用地关于处理废弃的电子元器件的相关法律规定。

-请严格根据当地法规处理废弃的产品和包装，并确保不和生活垃圾混装。正确的处理方式可以避免对环境 and 人体健康产生的潜在威胁。

